

RIPPER WIND DEFLECTOR KIT



P/N 2881749, 2881750, 2881751

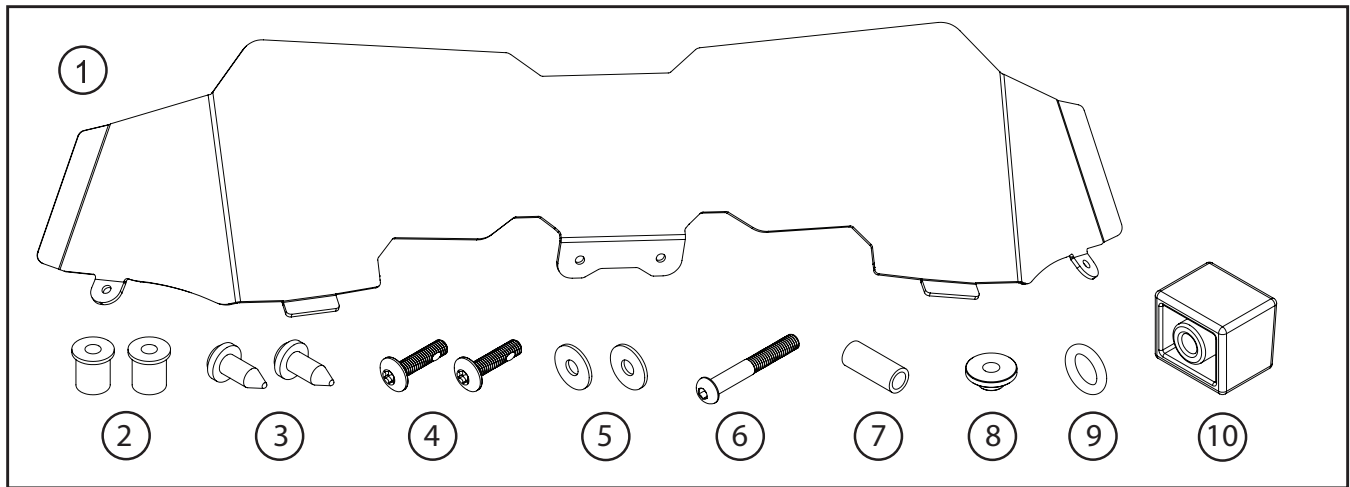
SLINGSHOT

APPLICATION

SLINGSHOT; BASE, SL & LE MODELS

BEFORE YOU BEGIN

Read these instructions thoroughly and make sure all parts and tools are accounted for. Please retain these installation instructions for future reference and parts ordering information.



Mid wind deflector shown; Sheet also covers Tall and Low wind deflector kits

KIT CONTENTS

Ref	Qty	Part Description	Part Number
1	1	Ripper Wind Deflector	2881749,1750,1751
2	2	Wellnut - M6x1.0	7547772
3	2	Nylon Fastener	7661855
4	2	Screw M6x1.0x25	7520236
5	2	Washer M6x1.0	7556879
**6	1	Screw M6x1.0x45	
**7	1	Spacer M6 x25	
**8	1	Shoulder Spacer M6	
**9	1	O-Ring	
**10	1	Rubber spacer	

** Item not included in Low WS Kit

TOOLS NEEDED

Safety Glasses Metric TORX T30 & 5mm HEX bit Drill w/ 8mm (5/16") bit Marker/pencil

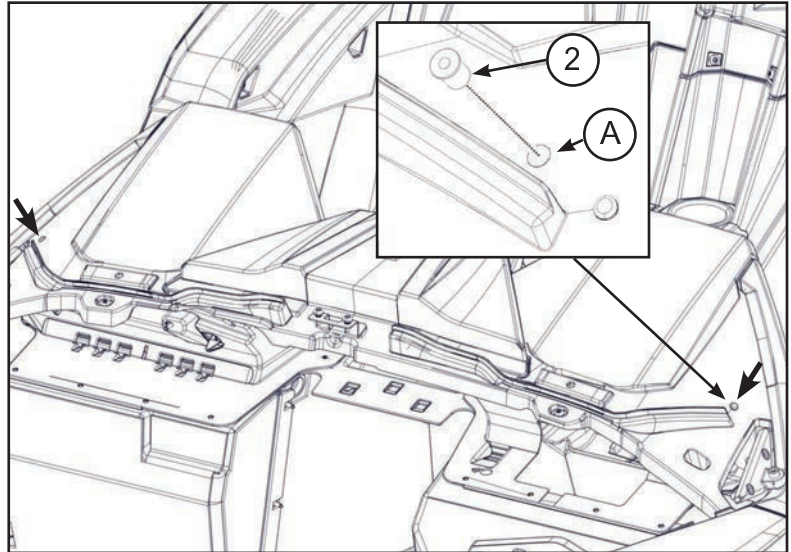
APPROXIMATE ASSEMBLY TIME 30 mins

IMPORTANT

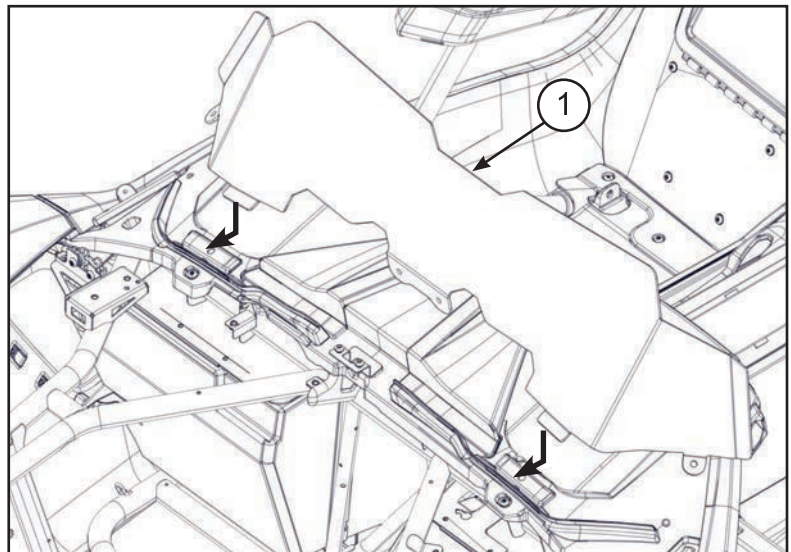
This SLINGSHOT RIPPER WIND DEFLECTOR KIT is exclusively designed for use with this vehicle. Please read the installation instructions thoroughly before beginning. Installation is easier if the vehicle is clean and free of debris. For your safety, and to ensure a satisfactory installation, perform all installation steps correctly in the sequence shown.

INSTALLATION INSTRUCTIONS

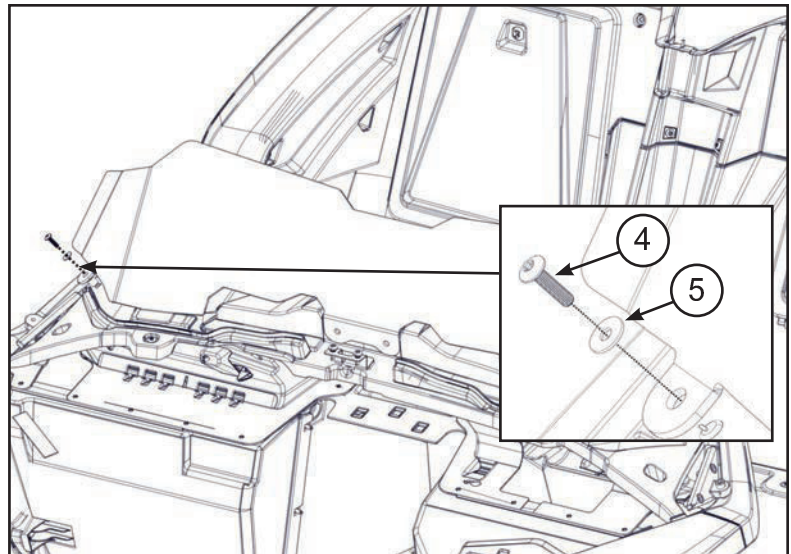
1. Put the transmission in "NEUTRAL" and turn the key to the "OFF" position. Remove the key from vehicle. Apply the parking brake. Open the hood.
2. Press two wellnuts (2) into driver and passenger sides of main visor (A) in the location as shown in figure.



3. Install Ripper Wind Deflector (1) by first engaging the tab and slot in the front then aligning the mounting holes.



4. Fasten the two screws (4) on driver and passenger sides of Ripper wind deflector with M6 washers (5). Apply torque to 7 ± 1 ft. lbs. (9.49 ± 1.36 Nm).



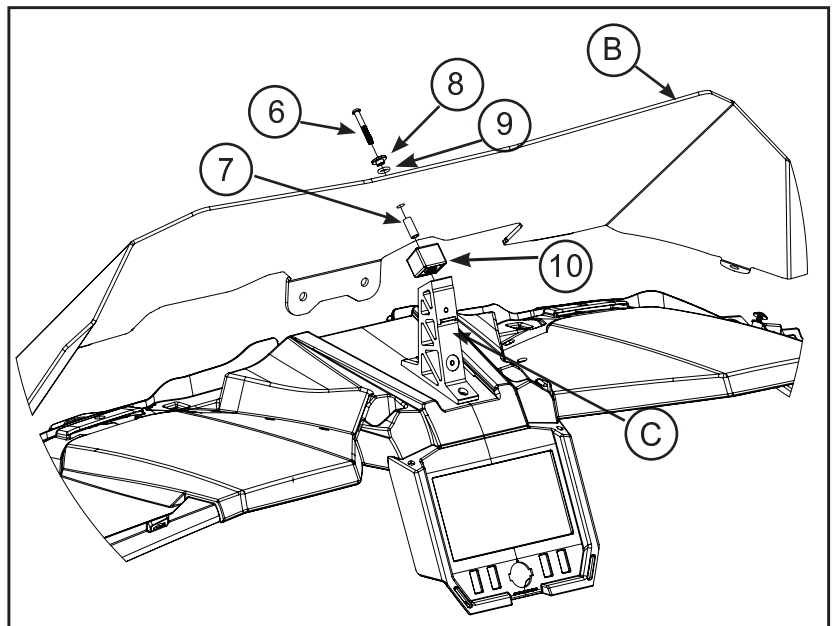
5-6: TALL & MID (OPTIONAL) WIND DEFLECTOR ONLY

Skip ahead to Step 7 if installing a Low windshield

5. Line up the Rubber Spacer (6) between the wind deflector (B) and the end of the Wind deflector Mount (C).

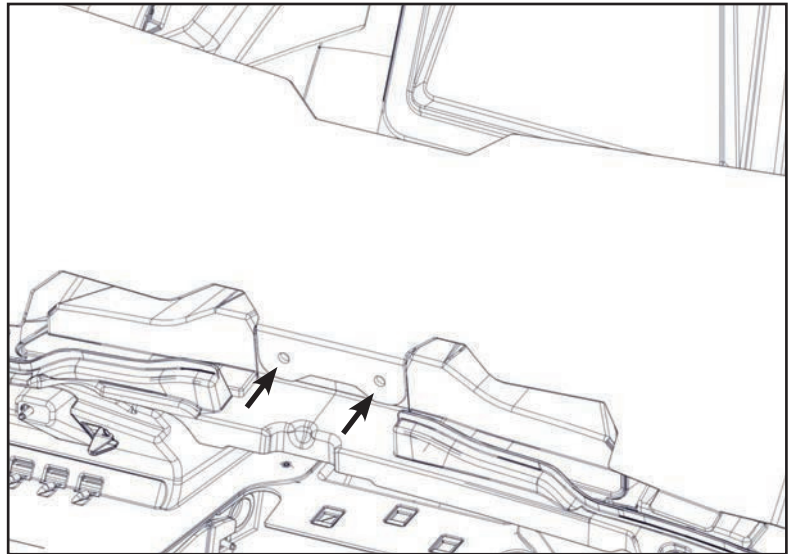
NOTE: Use soapy water to push Spacer(8) into Rubber spacer(6)

6. Fasten M6 screw (6) with shoulder spacer (8) add O-ring (9). Slide M6 spacer (7) through Rubber spacer (10) until flush. Attach the wind deflector to the wind deflector mount (C).



NOTE: If installing MID wind deflector to wind deflector support bracket (OPTIONAL), line up with wind deflector mount (C) drill a 10mm hole and follow steps 5 & 6

7. Mark the locations of both holes in the front of the windshield with a marker/pencil. Remove wind deflector from vehicle.



8. Drill holes into the markings left in Step X using a (size) drill bit.

NOTE: Maintain shallow drill bit penetration

9. Replace wind deflector. Install wind shield center tab with two nylon fasteners (3).

