

# PAINTED BELT GUARD COVER KIT



**SLINGSHOT**

**P/N 2881740**

## APPLICATION

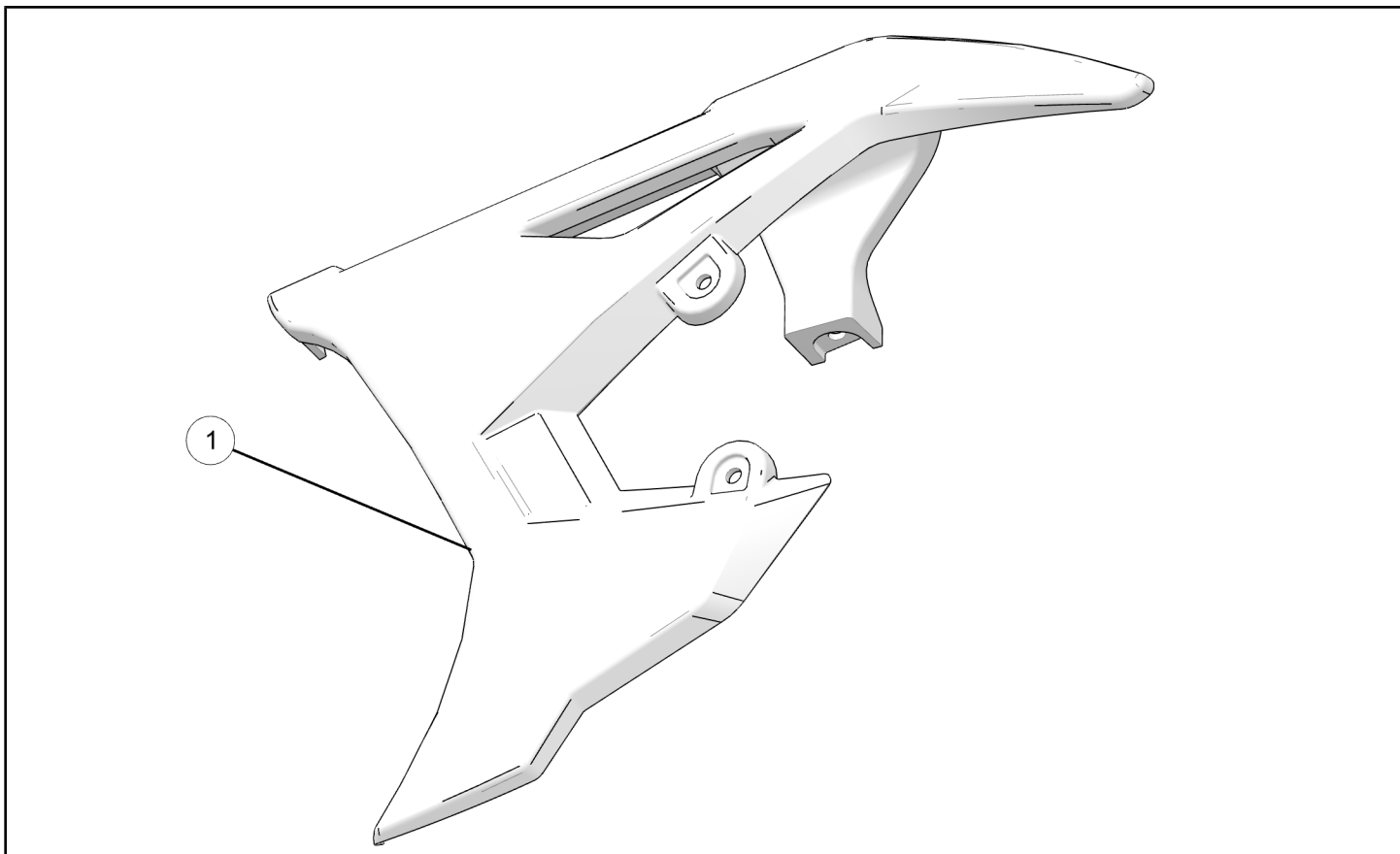
All Slingshot Platforms

## BEFORE YOU BEGIN

Read these instructions and check to be sure all parts and tools are accounted for. Please retain these installation instructions for future reference and parts ordering information.

## KIT CONTENTS

This Kit includes:



REF	QTY	PART DESCRIPTION	PART NUMBER
1	1	Belt Guard Cover	2636320
	1	Instructions	9927257

## TOOLS REQUIRED

- Ratchet
- T40 Torx® Driver

## IMPORTANT

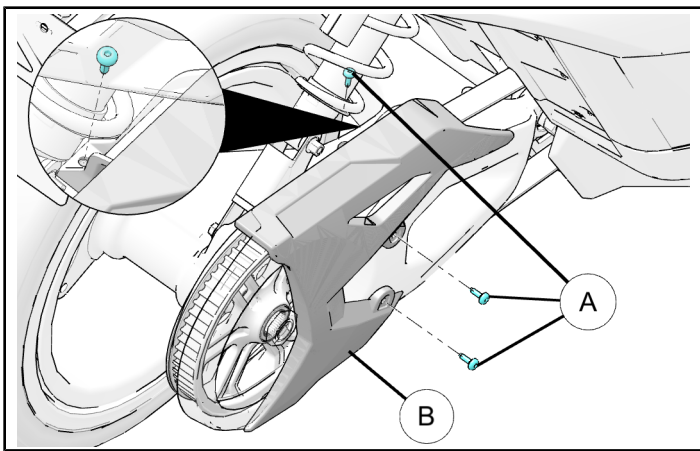
Your PAINTED BELT GUARD COVER KIT is exclusively designed for your vehicle. Please read the installation instructions thoroughly before beginning. Installation is easier if the vehicle is clean and free of debris. For your safety, and to ensure a satisfactory installation, perform all installation steps correctly in the sequence shown.

## ASSEMBLY TIME

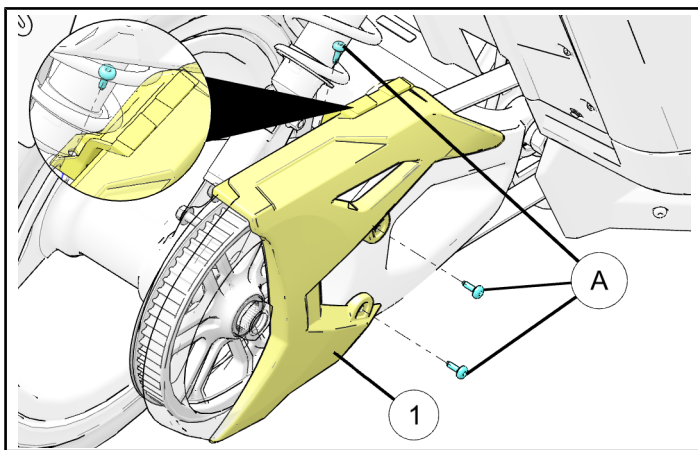
Approximately 5 minutes

## INSTALLATION INSTRUCTIONS

1. Park the vehicle on a level surface. Turn the key to "OFF" position and apply the parking brake.
2. Using a T40 Torx® driver remove three bolts (A), two from the side and one from the top to remove existing belt guard cover (B). Retain screws for reuse.



3. Install new belt guard cover ① into same mounting location using retained screws (A). Hand tighten all screws (A).



4. Using ratchet with a T40 Torx® driver tighten three screws. Torque screws to specification.

### TORQUE

65 in. lbs. (7.3 Nm)