

# PAINTED FRONT GRILLE KIT



**SLINGSHOT**

**P/N 2881789**

## APPLICATION

All Slingshot Platforms

## BEFORE YOU BEGIN

Read these instructions and check to be sure all parts and tools are accounted for. Please retain these installation instructions for future reference and parts ordering information.

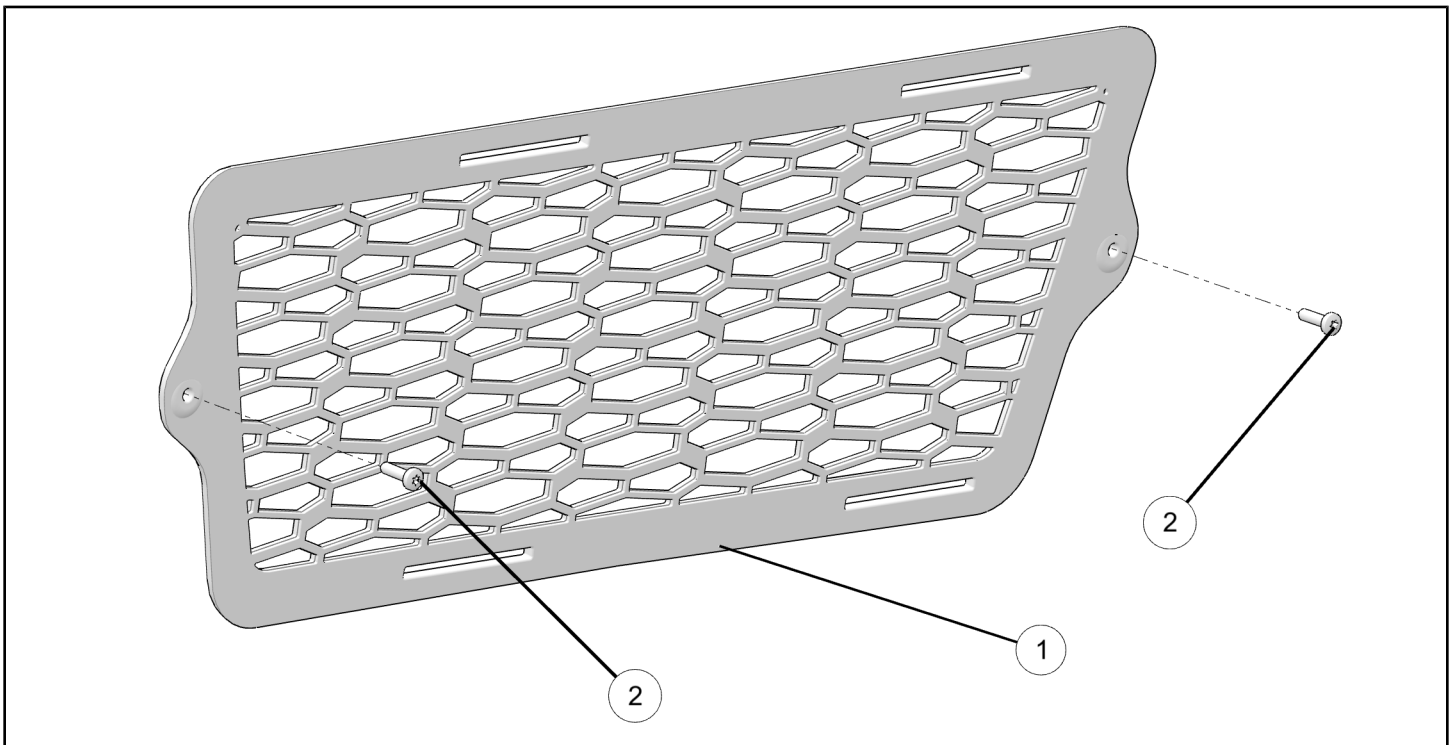
## DISCLAIMER ACCESSORY WEIGHT

When adding accessories, equipment, passengers and luggage to your vehicle, do not exceed the total weight capacity of the vehicle or of the front or rear axle (GVWR or GAWR as indicated on the Safety Compliance Certification label). Ask an authorized dealer for specific weight information if you need assistance. It is the owner's responsibility to use the Polaris Slingshot Accessories website as a tool for limiting the amount of accessories, based on maximum allowable vehicle weight requirements. It may be a violation of the Clean Air Act or the NHTSA regulations to disregard these requirements. For a complete listing of the accessories that are available for your vehicle, please contact your authorized dealer or visit the online store web site:

Web Address (United States): <http://www.polaris.com/en-us/slingshot/shop/accessories>.

## KIT CONTENTS

This Kit includes:



REF	QTY	PART DESCRIPTION	PART NUMBER
1	1	Front Grill	5453028
2	2	Screw - #10 X 3/4	7512026
	1	Instructions	9926915

## TOOLS REQUIRED

- Ratchet
- T25 Torx® Driver

## IMPORTANT

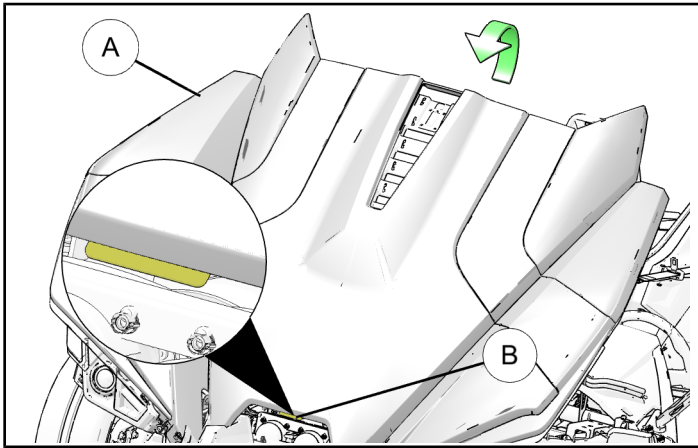
Your PAINTED FRONT GRILLE KIT is exclusively designed for your vehicle. Please read the installation instructions thoroughly before beginning. Installation is easier if the vehicle is clean and free of debris. For your safety, and to ensure a satisfactory installation, perform all installation steps correctly in the sequence shown.

## ASSEMBLY TIME

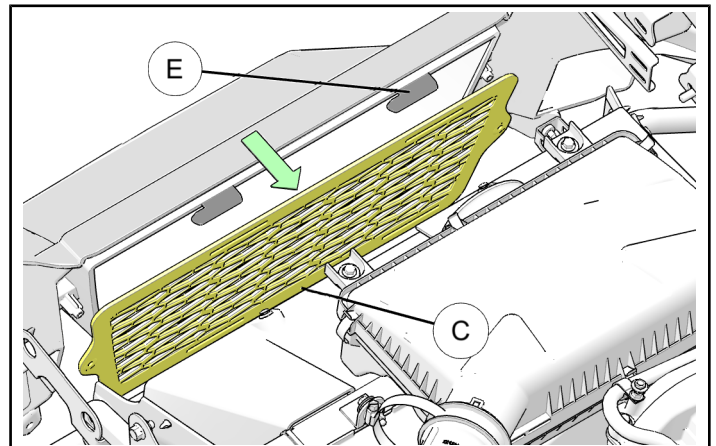
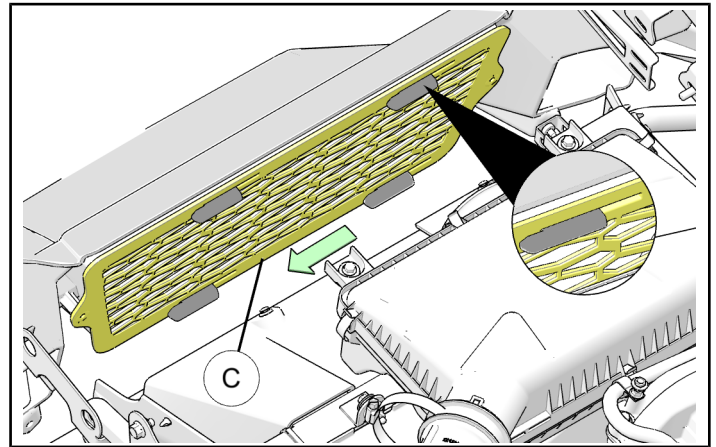
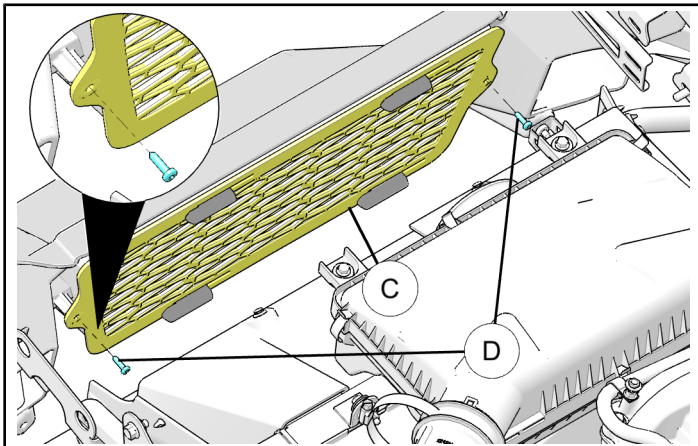
Approximately 15 minutes

## INSTALLATION INSTRUCTIONS

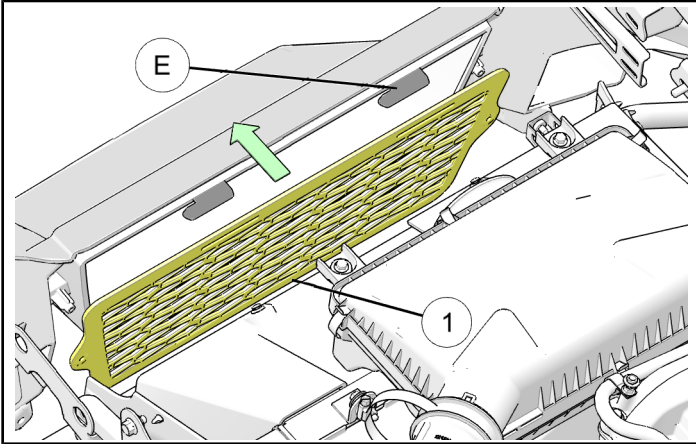
1. Put the transmission in “NEUTRAL” and turn the key to the “OFF” position. Remove the key from vehicle. Apply the parking brake.
2. Open the hood (A) using latch (B) located in front of vehicle between the middle set of lights. Pull rearward and up to get the hood to open.
3. Using T25 Torx® bit remove two screws (D) holding front grille (C) in place.
4. Remove front grille (C) from vehicle by sliding the grille towards driver side and then pulling towards engine to remove from four molded panels (E) that grille uses for positioning as shown.



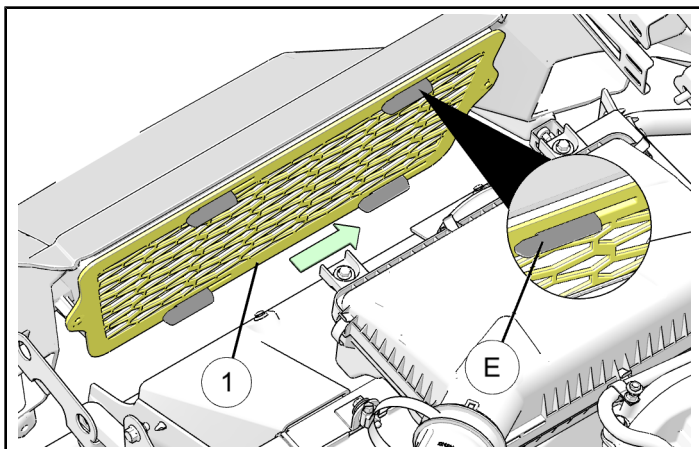
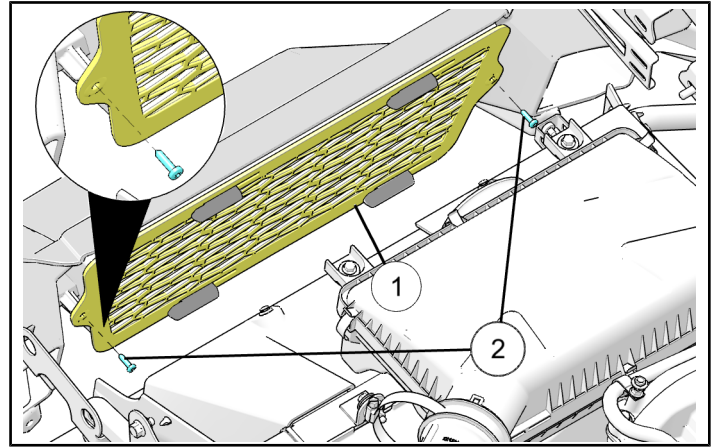
3. Using T25 Torx® bit remove two screws (D) holding front grille (C) in place.



5. Using four pre-slotted areas on new front grille ①, install the grille by inserting and sliding through molded panels (E) as shown.



6. Using T25 Torx® bit tighten two new supplied screws ② into position as shown.



7. Close the hood (A) and ensure it latches.