

HEATED AND COOLED SEAT



SLINGSHOT

P/N 2884290-XXX

APPLICATION

Verify accessory fitment at www.polarisslingshot.com.

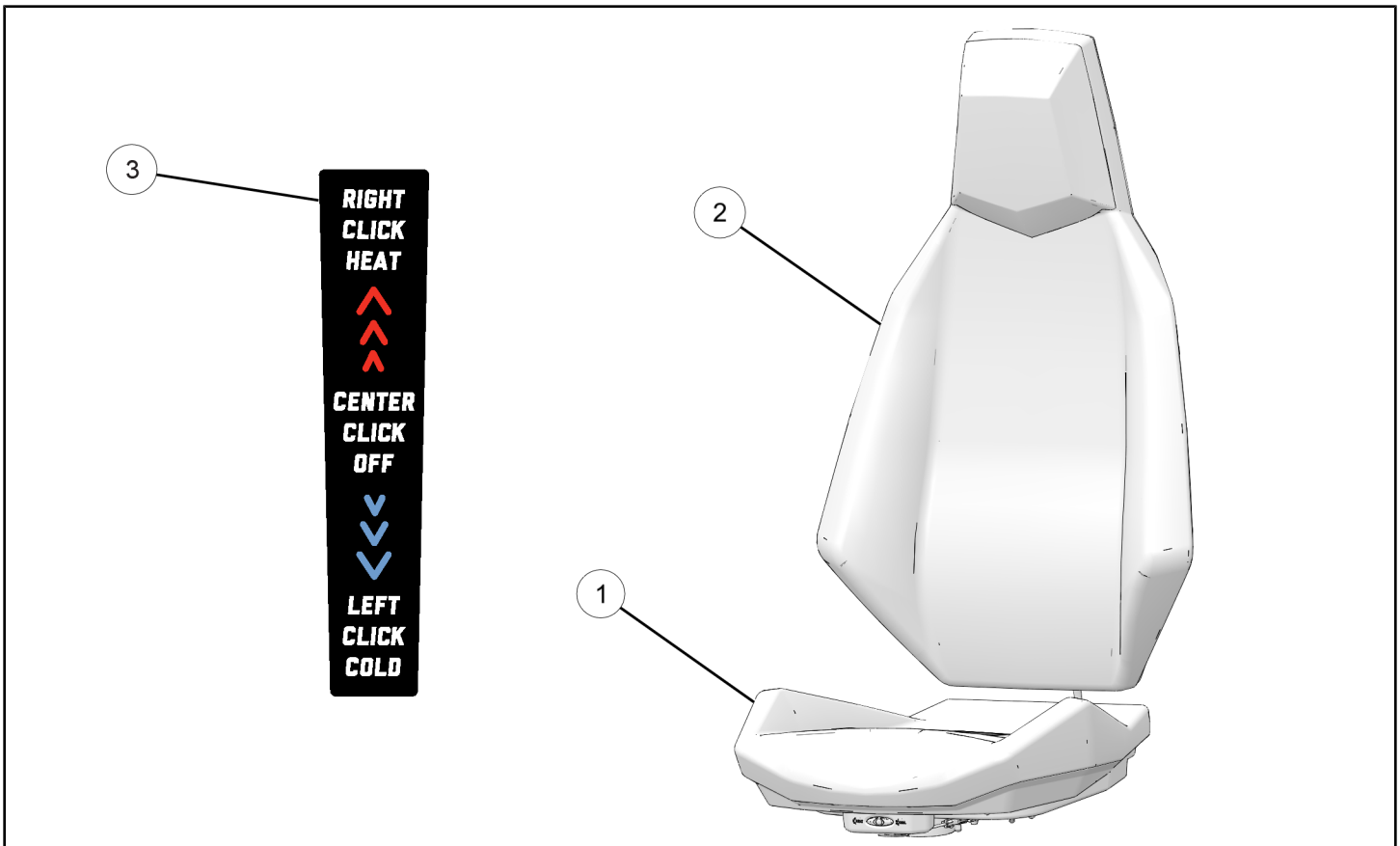
BEFORE YOU BEGIN

Read these instructions and check to be sure all parts and tools are accounted for. Please retain these installation instructions for future reference and parts ordering information.

DISCLAIMER ACCESSORY WEIGHT

When adding accessories, equipment, passengers and luggage to your vehicle, do not exceed the total weight capacity of the vehicle or of the front or rear axle (GVWR or GAWR as indicated on the Safety Compliance Certification label). Ask an authorized dealer for specific weight information if you need assistance. It is the owner's responsibility to use the Polaris Slingshot Accessories website as a tool for limiting the amount of accessories, based on maximum allowable vehicle weight requirements. It may be a violation of the Clean Air Act or the NHTSA regulations to disregard these requirements. For a complete listing of the accessories that are available for your vehicle, please contact your authorized dealer or visit the online store web site: Web Address (United States): <http://www.polaris.com/en-us/slingshot/shop/accessories>.

KIT CONTENTS



NOTICE

XXX = Slingshot® color code (For example: VBA= Black)

REF	QTY	PART DESCRIPTION	P/N AVAILABLE SEPARATELY
1	1	Heated/Cooled Seat Bottom	n/a
2	1	Heated/Cooled Seat Back	n/a
3	1	Seat Operation Decal	7192993

TOOLS REQUIRED

- Safety Glasses
- Socket Set, Hex Bit, Metric
- Socket Set, Torx® Bit
- Torque Wrench

CONSUMABLES REQUIRED

- Cloth, Non-Abrasive (Cheesecloth or equivalent)
- Isopropyl Alcohol (IPA)

IMPORTANT

Your Heated and Cooled Seat is exclusively designed for your vehicle. Please read the installation instructions thoroughly before beginning. Installation is easier if the vehicle is clean and free of debris. For your safety, and to ensure a satisfactory installation, perform all installation steps correctly in the sequence shown.

INSTALLATION INSTRUCTIONS

NOTICE

This procedure applies to both driver and passenger seats.

VEHICLE PREPARATION

GENERAL

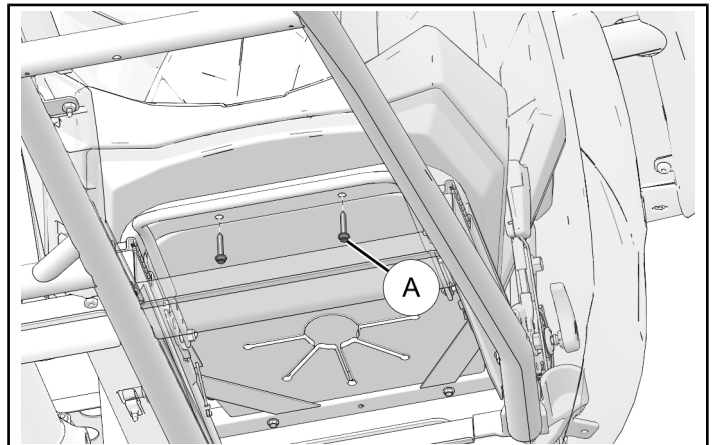
1. Shift vehicle transmission to **NEUTRAL**.
2. Press start/stop button to turn vehicle **OFF**.
3. Apply parking brake.
4. Remove key fob from proximity of vehicle.

REMOVE SEAT CUSHIONS

TIP

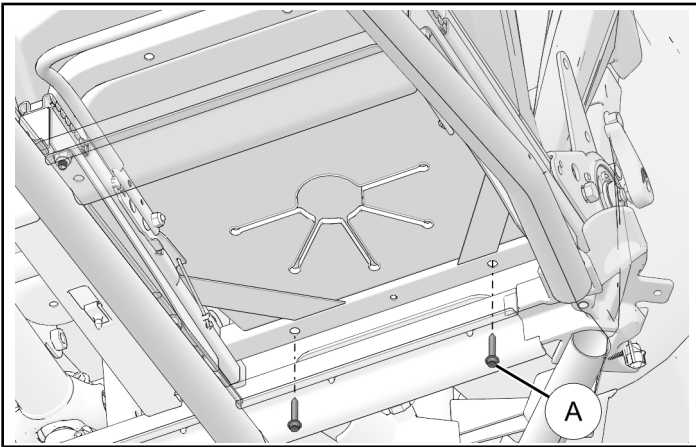
If access to seat fasteners is limited, review the service manual for removal and replacement of the seat.

1. Remove and keep two screws **A** from front of bottom cushion.



2. Position seat all the way forward and tilt top part of seat forward.

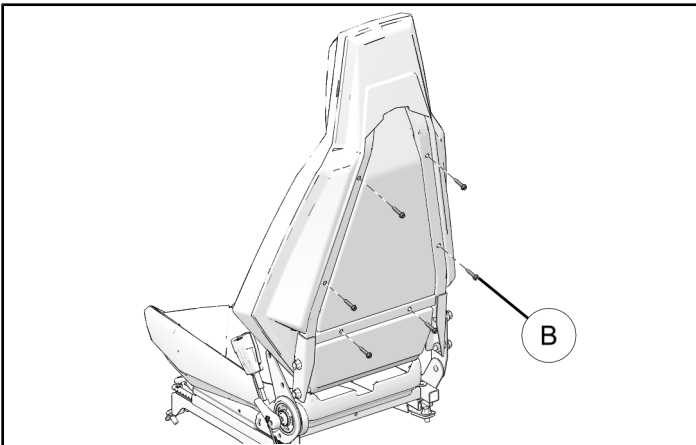
3. Remove and keep two screws **A** from back of bottom cushion.



4. Remove and keep six screws **B** from upper cushion.

NOTICE

Vehicle hidden for clarity.



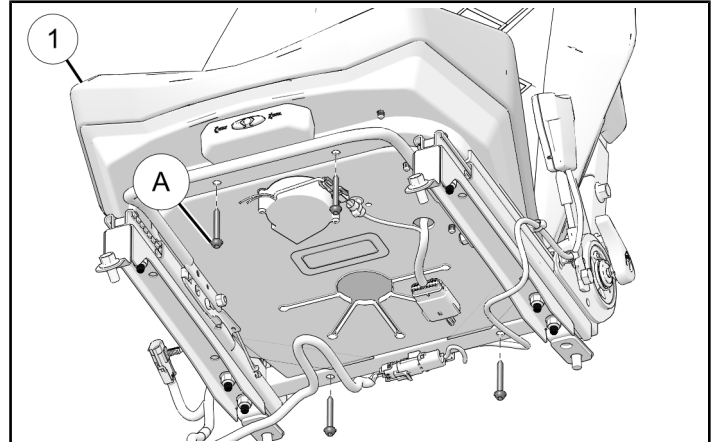
5. Remove upper and bottom seat cushions.

ACCESSORY INSTALLATION

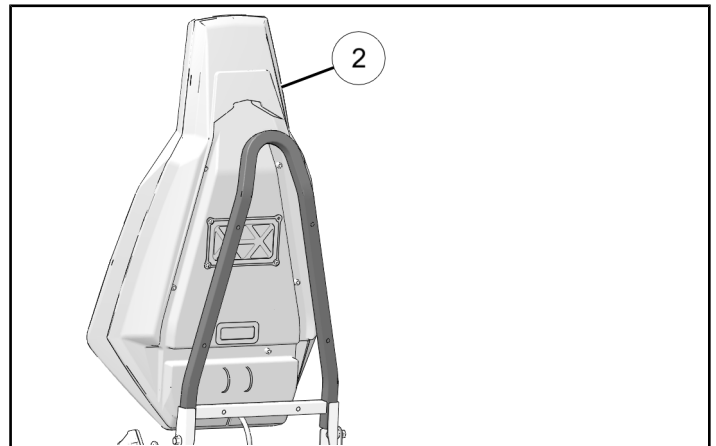
NOTICE

Seat is shown isolated for clarity of images.

1. Position top of seat in upright position. Align bottom cushion **1** on bracket and push firmly. Loosely install four screws **A** into bottom of cushion **1**.



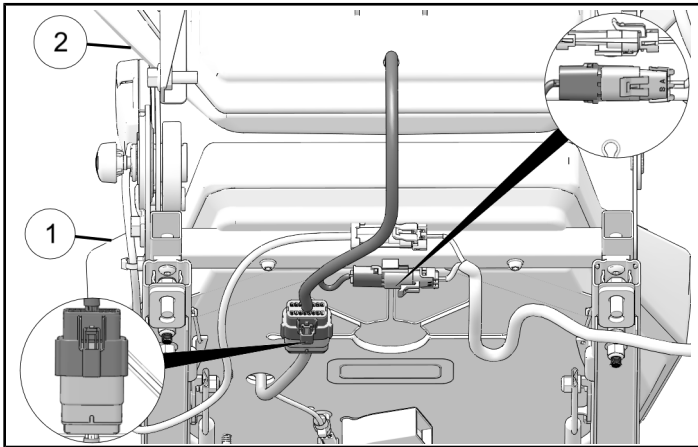
2. Install upper cushion **2** by first sliding headrest on to bracket and then firmly pushing back.



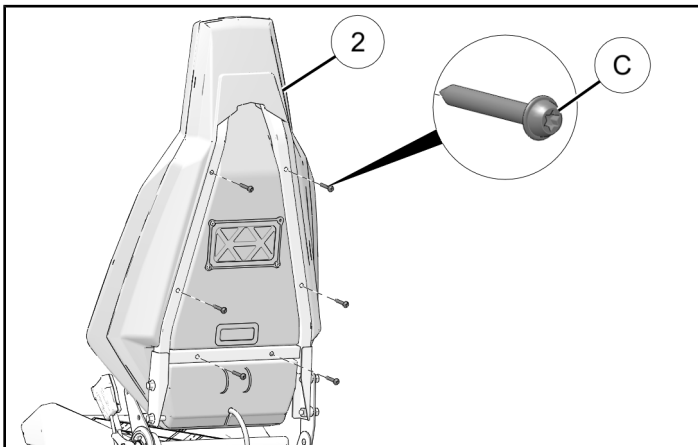
3. Connect one plug from the upper cushion to the bottom cushion. Connect second plug from the upper cushion to the vehicle.

NOTICE

Rear of seat is shown.



4. Loosely install six screws (C) into upper cushion (2).



5. Torque all screws to specification.

TORQUE

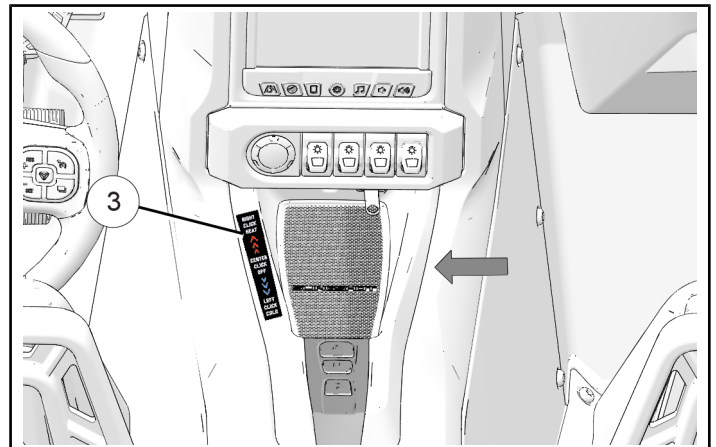
Seat Screws (A) and (C):
13 ft-lbs (18 N·m)

APPLYING OPERATION DECAL

NOTICE

Application of decal is optional. It is recommended to affix decal on the same side as the installed heated/cooled seat in the location shown in below image.

1. Clean area where decal is to be applied with isopropyl alcohol and a soft cloth. Affix decal (3).



OPERATION

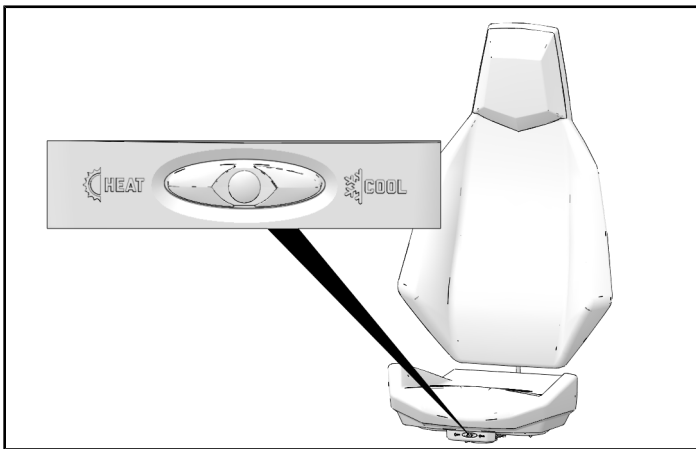
⚠ CAUTION

Do not put objects under or behind the seat after seat installation, it could damage the heating and cooling components.

SWITCH FUNCTIONS

NOTICE

Seat should only be operated when engine is running. The system will automatically shut down if trying to operate seat when the ignition is in "accessory" mode or the engine is not running. Seats remain off until activated with switch. Both red and blue LED remain dimly lit when off. To turn off, press center OFF switch.



INSTRUCTION FEEDBACK FORM

A feedback form has been created for the installer to provide any comments, questions or concerns about the installation instructions. The form is viewable on mobile devices by scanning the QR code or by clicking [HERE](#) if viewing on a PC.



COOLING

1. Press Blue switch to increase cool mode from LOW to MEDIUM to HIGH.
2. Press and hold Blue switch for two seconds to skip straight to HIGH.
3. Press Red switch to decrease cool mode from HIGH to MEDIUM to LOW.

NOTICE

When in cool mode, Blue LED will be brightly lit and fans in cushions will be on.

HEATING

1. Press Red switch to increase heat mode from LOW to MEDIUM to HIGH.
2. Press and hold Red switch for two seconds to skip straight to HIGH.
3. Press Blue switch to decrease heat mode from HIGH to MEDIUM to LOW.

NOTICE

When in heat mode, Red LED will be brightly lit and fans in cushions will be off.