

STANDARD AUDIO PODS BY ROCKFORD FOSGATE® KIT



SLINGSHOT

P/N 2882315

APPLICATION

MY17 and Newer Slingshot Models

Verify accessory fitment at polarisslingshot.com.

BEFORE YOU BEGIN

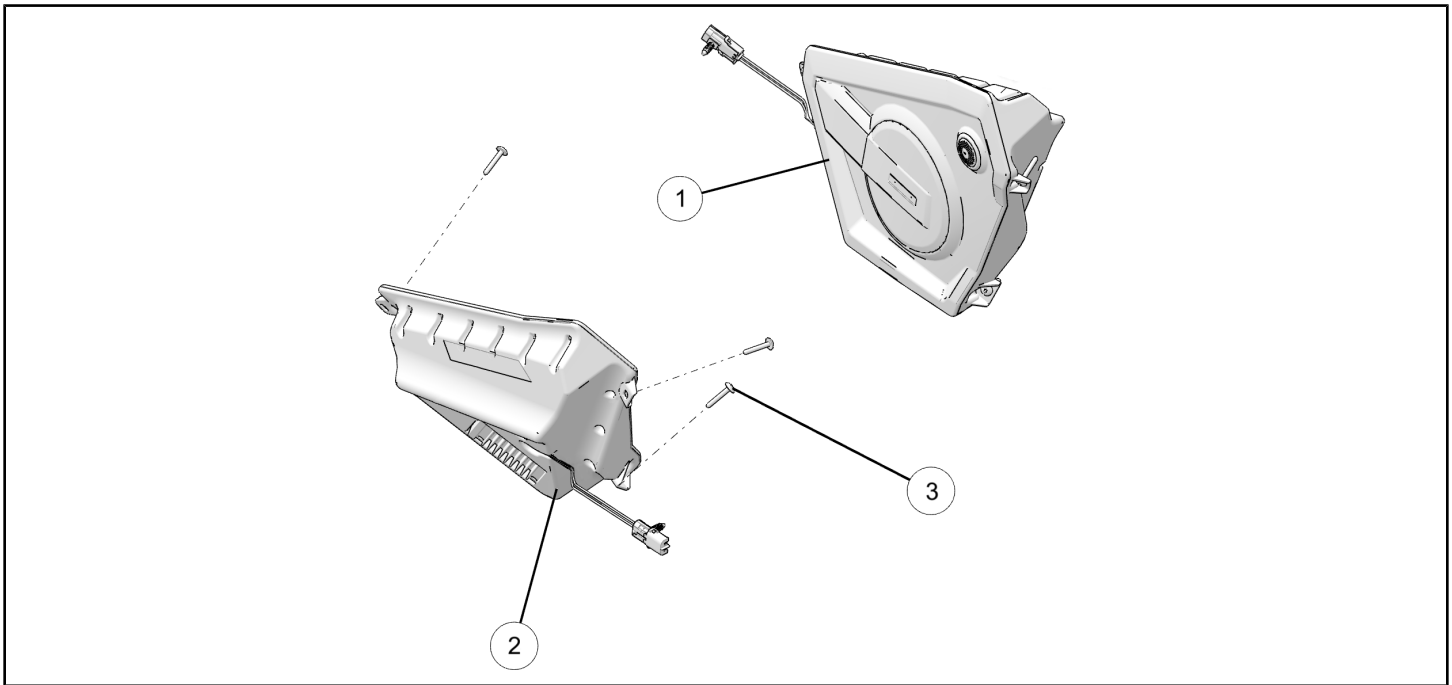
Read these instructions and check to be sure all parts and tools are accounted for. Please retain these installation instructions for future reference and parts ordering information.

DISCLAIMER ACCESSORY WEIGHT

When adding accessories, equipment, passengers and luggage to your vehicle, do not exceed the total weight capacity of the vehicle or of the front or rear axle (GVWR or GAWR as indicated on the Safety Compliance Certification label). Ask an authorized dealer for specific weight information if you need assistance. It is the owner's responsibility to use the Polaris Slingshot Accessories website as a tool for limiting the amount of accessories, based on maximum allowable vehicle weight requirements. It may be a violation of the Clean Air Act or the NHTSA regulations to disregard these requirements. For a complete listing of the accessories that are available for your vehicle, please contact your authorized dealer or visit the online store web site:

Web Address (United States): <http://www.polaris.com/en-us/slingshot/shop/accessories>.

KIT CONTENTS



| REF | QTY | PART DESCRIPTION | PART NUMBER |
|-----|-----|----------------------|-------------|
| 1 | 1 | Speaker Assembly, LH | 2414070 |
| 2 | 1 | Speaker Assembly, RH | 2414071 |
| 3 | 6 | Screw, M6 X 1 X 40 | 7519001 |
| | 1 | Instructions | 9927667 |

TOOLS REQUIRED

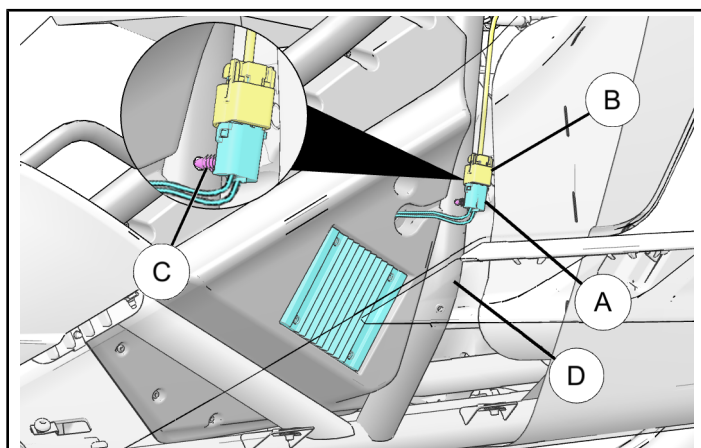
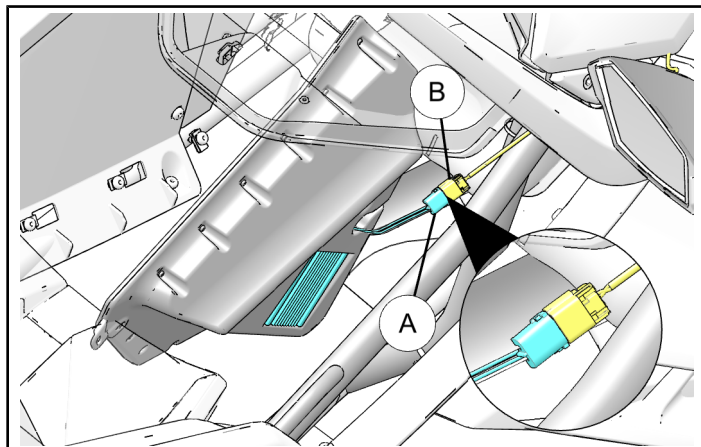
- Safety Glasses
- Socket Set, Torx® Bit
- Torque Wrench

IMPORTANT

Your Standard Audio Pods by Rockford Fosgate® Kit is exclusively designed for your vehicle. Please read the installation instructions thoroughly before beginning. Installation is easier if the vehicle is clean and free of debris. For your safety, and to ensure a satisfactory installation, perform all installation steps correctly in the sequence shown.

INSTALLATION INSTRUCTIONS

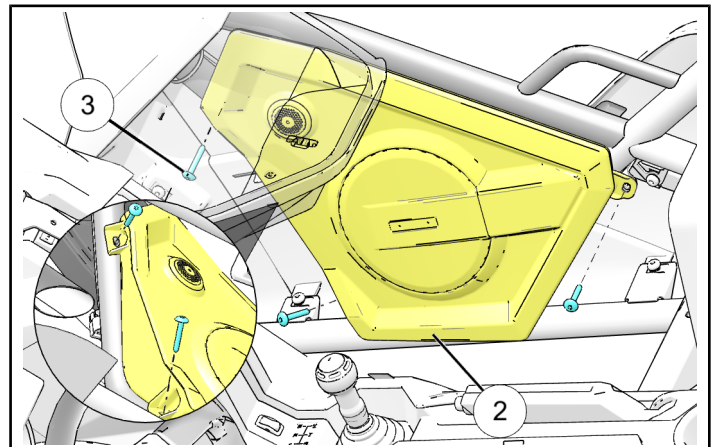
1. Put transmission in “NEUTRAL” and turn key to “OFF” position. Remove key from vehicle. Apply parking brake.
2. Connect speaker harness connector **A** to radio harness connector **B**. Push clip **C** into corresponding hole in tube frame **D** to secure connectors in place.



3. Secure RH speaker assembly **2** to frame by installing three screws **3** into corresponding holes as shown. Torque screws to specification.

TORQUE

48 in. lbs. (5.5 Nm)



4. Repeat Steps 2–3 for LH side speaker **1** installation.

FEEDBACK FORM

A feedback form has been created for the installer to provide any comments, questions or concerns about the installation instructions. The form is viewable on mobile devices by scanning the QR code or by clicking [HERE](#) if viewing on a PC.

