

COLORED MEDIA BEZELS KIT



SLINGSHOT

P/N 2882323

APPLICATION

Slingshot

BEFORE YOU BEGIN

Read these instructions and check to be sure all parts and tools are accounted for. Please retain these installation instructions for future reference and parts ordering information.

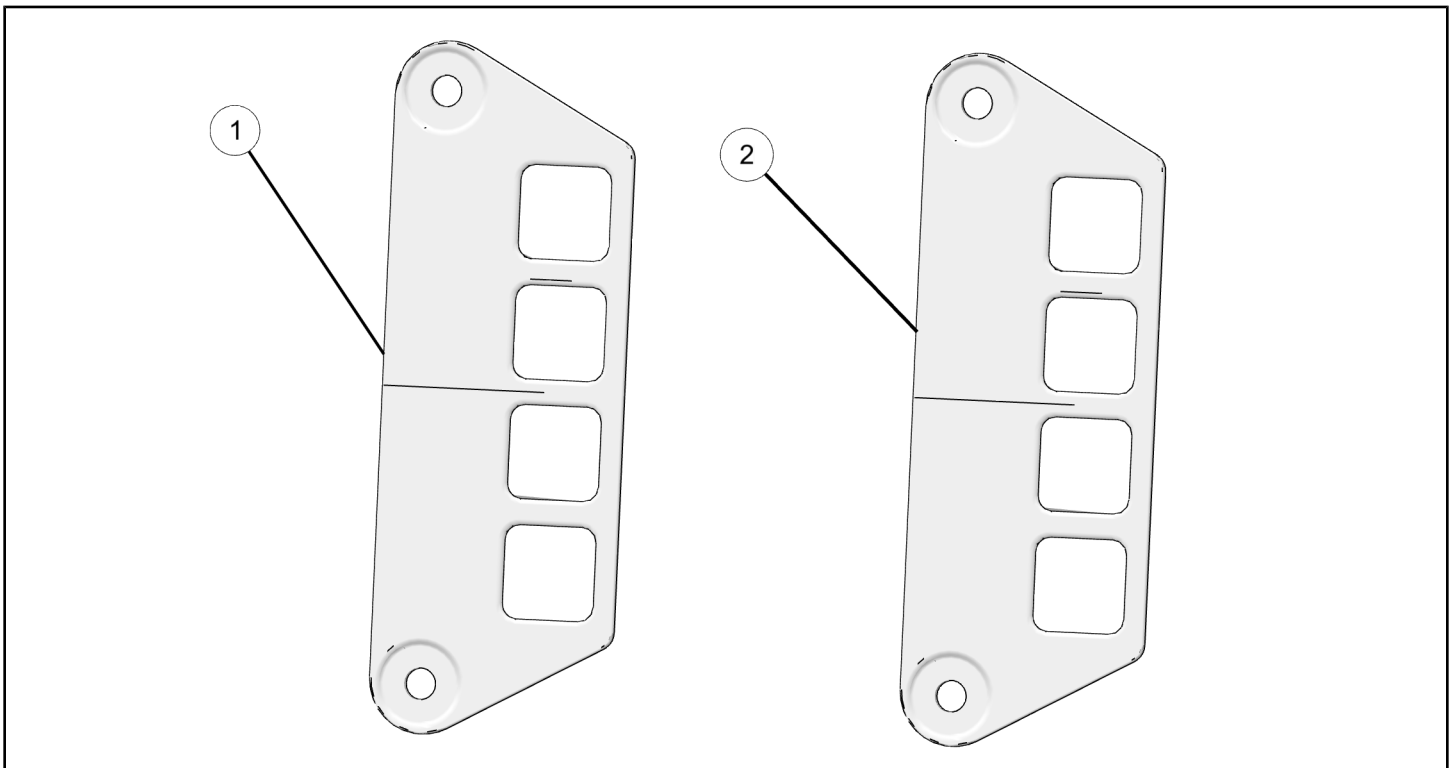
DISCLAIMER ACCESSORY WEIGHT

When adding accessories, equipment, passengers and luggage to your vehicle, do not exceed the total weight capacity of the vehicle or of the front or rear axle (GVWR or GAWR as indicated on the Safety Compliance Certification label). Ask an authorized dealer for specific weight information if you need assistance. It is the owner's responsibility to use the Polaris Slingshot Accessories website as a tool for limiting the amount of accessories, based on maximum allowable vehicle weight requirements. It may be a violation of the Clean Air Act or the NHTSA regulations to disregard these requirements. For a complete listing of the accessories that are available for your vehicle, please contact your authorized dealer or visit the online store web site:

Web Address (United States): <http://www.polaris.com/en-us/slingshot/shop/accessories>.

KIT CONTENTS

This Kit includes:



REF	QTY	PART DESCRIPTION	PART NUMBER
1	1	Left Media Bezel	7180929
2	1	Right Media Bezel	7180930
	1	Instructions	9927580

TOOLS REQUIRED

- Safety Glasses

- 2.5mm Allen Wrench

IMPORTANT

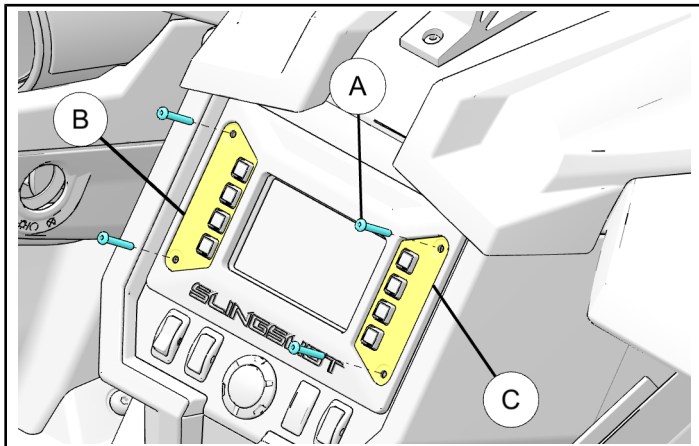
Your COLORED MEDIA BEZELS KIT is exclusively designed for your vehicle. Please read the installation instructions thoroughly before beginning. Installation is easier if the vehicle is clean and free of debris. For your safety, and to ensure a satisfactory installation, perform all installation steps correctly in the sequence shown.

ASSEMBLY TIME

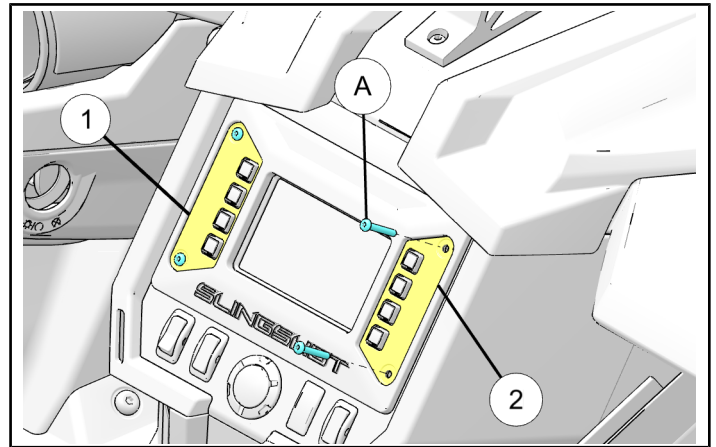
Approximately 5 minutes

INSTALLATION INSTRUCTIONS

1. Put the transmission in “NEUTRAL” and turn the key to the “OFF” position. Remove the key from vehicle. Apply the parking brake.
2. Using a 2.5mm Allen Wrench, remove the four screws (A) from the factory installed media bezels (B) and (C). Remove the bezels and retain the screws.



4. Fasten the colored media bezels ① and ② to infotainment center by using the four screws (A) removed in Step 2.



3. Align the screw holes of new colored media bezels ① and ② with the screw holes of infotainment center.

