

# PREMIUM AUDIO KIT



SLINGSHOT

P/N 2882369

## APPLICATION

All 2018 and newer Slingshot® base models with Touchscreen Infotainment Kit PN: 2883027 installed

## BEFORE YOU BEGIN

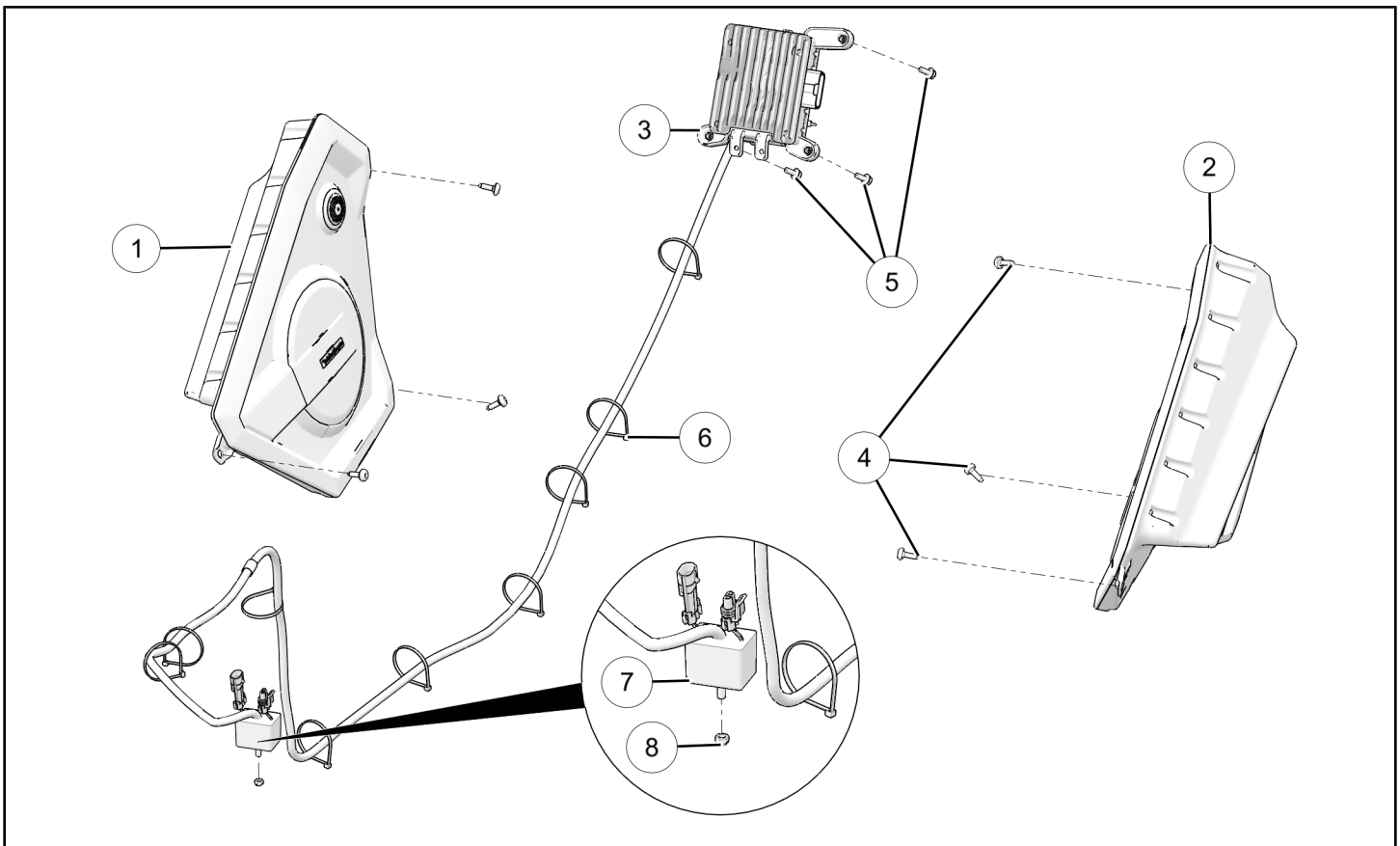
Read these instructions and check to be sure all parts and tools are accounted for. Please retain these installation instructions for future reference and parts ordering information.

## DISCLAIMER ACCESSORY WEIGHT

When adding accessories, equipment, passengers and luggage to your vehicle, do not exceed the total weight capacity of the vehicle or of the front or rear axle (GVWR or GAWR as indicated on the Safety Compliance Certification label). Ask an authorized dealer for specific weight information if you need assistance. It is the owner's responsibility to use the Polaris Slingshot Accessories website as a tool for limiting the amount of accessories, based on maximum allowable vehicle weight requirements. It may be a violation of the Clean Air Act or the NHTSA regulations to disregard these requirements. For a complete listing of the accessories that are available for your vehicle, please contact your authorized dealer or visit the online store web site: Web Address (United States): <http://www.polaris.com/en-us/slingshot/shop/accessories>.

## KIT CONTENTS

This Kit includes:



REF	QTY	PART DESCRIPTION	PART NUMBER
1	1	Enclosed Premium Speaker, Left Hand	2413917
2	1	Enclosed Premium Speaker, Right Hand	2413918
3	1	Audio Amp, 2 X 100 W	2413907
4	6	Screw, Torx® Button Head, M6 X 1 X 15	7520011
5	3	Screw, Hex Flange, M6 X 1 X 16	7518591
6	15	Cable Tie	7080138
7	1	Antenna, Brake Light	4017460
8	1	Nut, 6 mm X 1, Nylon Locking	-
	1	Instructions	9928463

## TOOLS REQUIRED

- Safety Glasses
- Hex Key Set, Metric
- Socket Set, Hex Bit, Metric
- Socket Set, Metric
- Socket Set, Torx® Bit
- Torque Wrench
- Wrench Set, Metric

## IMPORTANT

Your Premium Audio Kit is exclusively designed for your vehicle. Please read the installation instructions thoroughly before beginning. Installation is easier if the vehicle is clean and free of debris. For your safety, and to ensure a satisfactory installation, perform all installation steps correctly in the sequence shown.

## ASSEMBLY TIME

Approximately 120 minutes

### NOTE

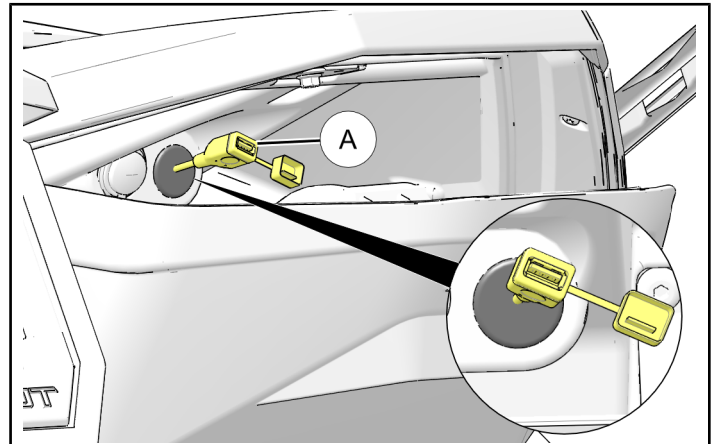
Additional time may be required for optional steps, or to accommodate other installed accessories.

## INSTALLATION INSTRUCTIONS

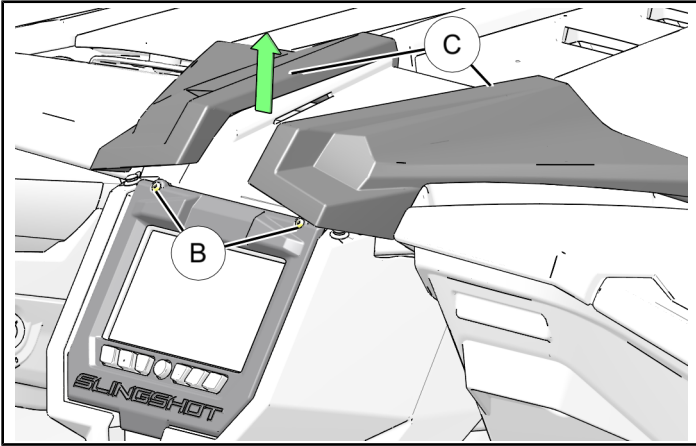
1. Shift vehicle transmission to NEUTRAL. Turn key to OFF position and remove from vehicle.  
**Apply parking brake.**
2. Remove USB port **A** and attached rubber grommet from glove box.  
Grommet can be pushed through hole.

## TOUCHSCREEN INFOTAINMENT REMOVAL

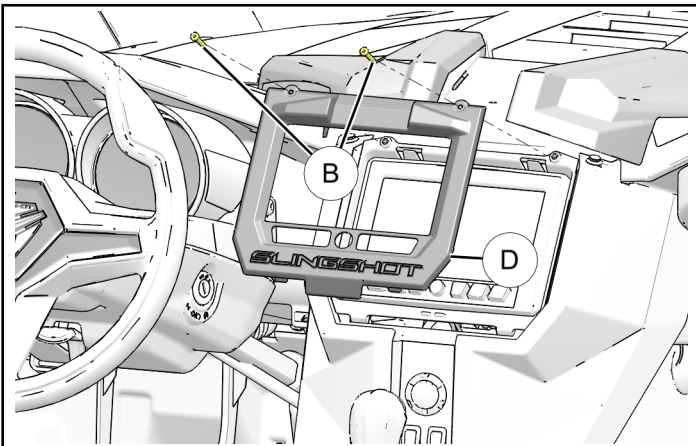
1. Open front hood to ease touchscreen infotainment removal.



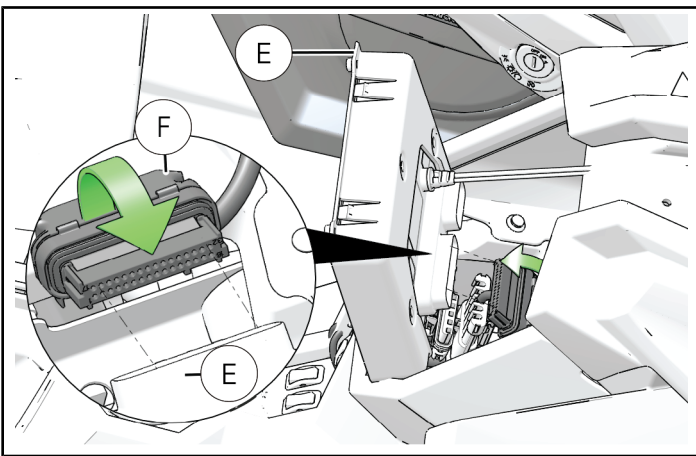
3. Access two bezel mounting screws (B) by firmly pulling up on two front center dashboard pieces (C).



4. Remove two bezel mounting screws (B) and bezel (D).



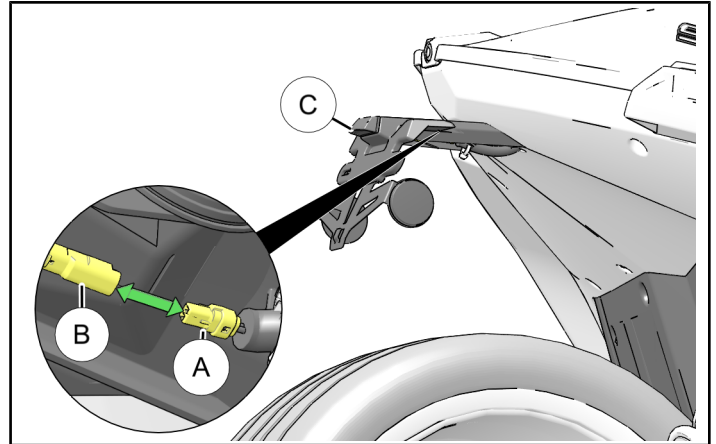
5. Tilt touchscreen infotainment assembly (E) forward and disconnect radio harness (F) from touchscreen infotainment (E).



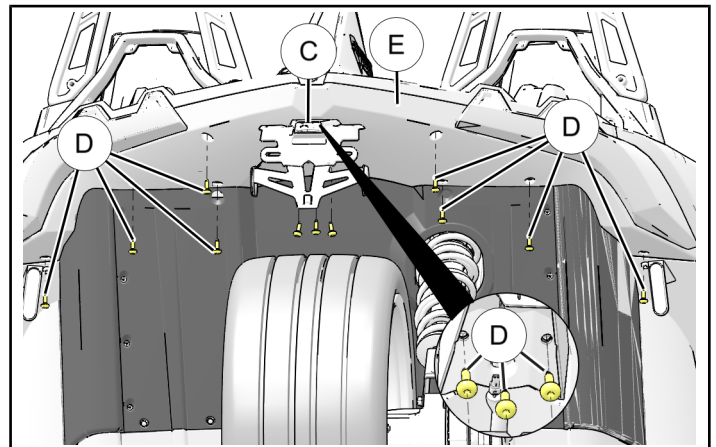
6. Remove touchscreen infotainment assembly from dashboard and carefully place assembly where it will not be damaged.

## ANTENNA INSTALLATION

1. Disconnect electrical harness connector (A) from license plate light connector (B) located underneath license plate mount (C).



2. Remove and retain eleven fasteners (D) to remove rear underbody (E) and license plate mount (C).

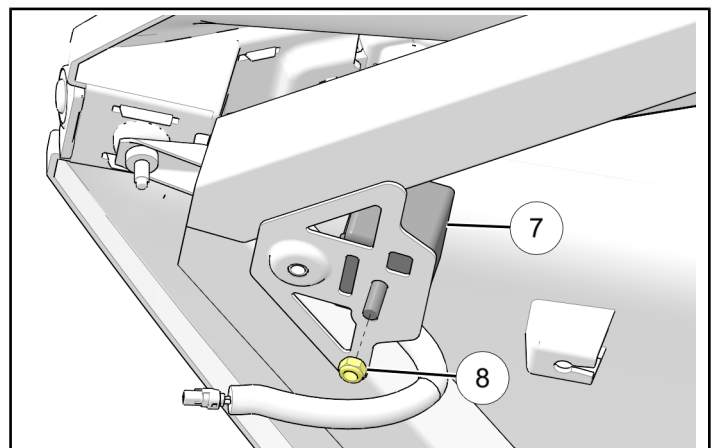


3. Install antenna (7) onto top side of antenna mount bracket as shown.

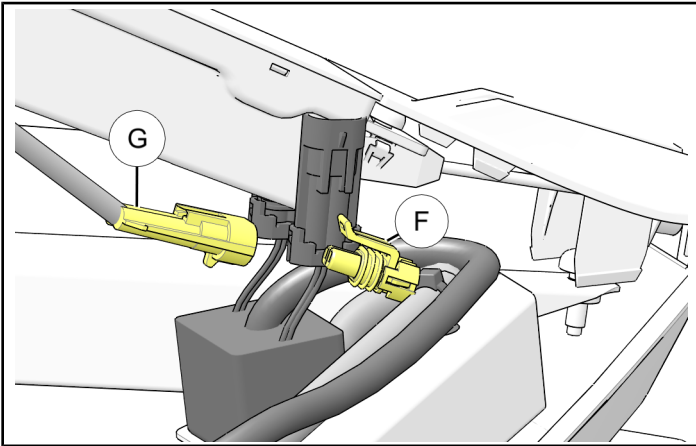
Install and torque nut (8) to specification.

### TORQUE

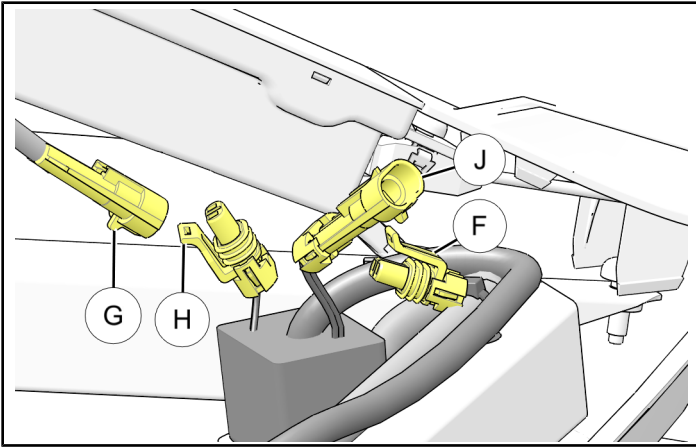
84 in. lbs. (9.5 Nm)



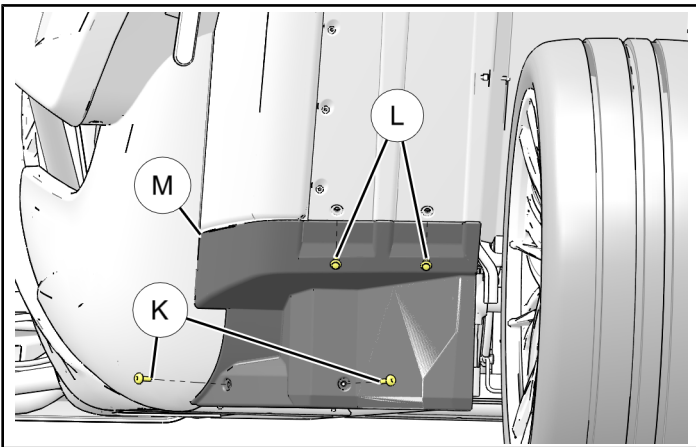
4. Connect antenna housing to electrical harness.
  - a. Carefully lift tab on electrical harness connector (F) to release and disconnect from brake light connector (G).



- b. Connect antenna connector (H) to brake light connector (G). Connect electrical harness connector (F) to antenna connector (J).



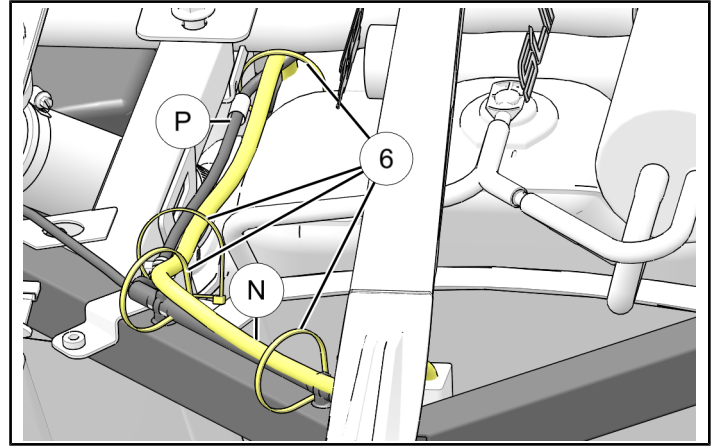
5. Remove two screws (K) and two push pin rivets (L) to remove battery cover (M).



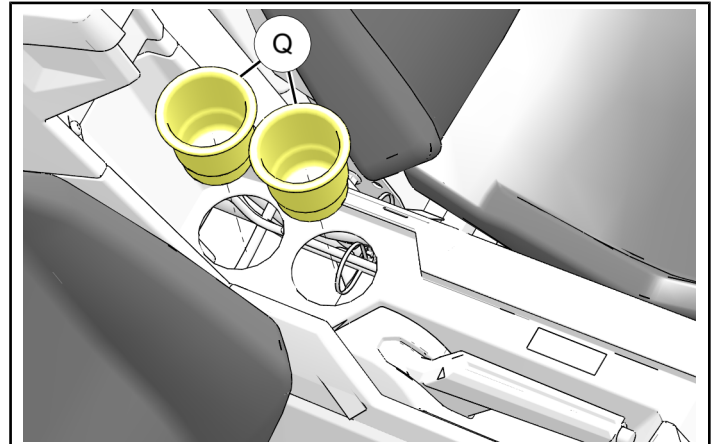
6. Route antenna harness (N) towards radio, following electrical harness (P) as routing guide.

Use cable ties (6) to attach antenna harness (N) to electrical harness (P). Be sure to route antenna harness (N) above all cross members in transmission tunnel and free of all moving parts.

- a. Begin by routing antenna harness (N) down, from antenna to battery opening.



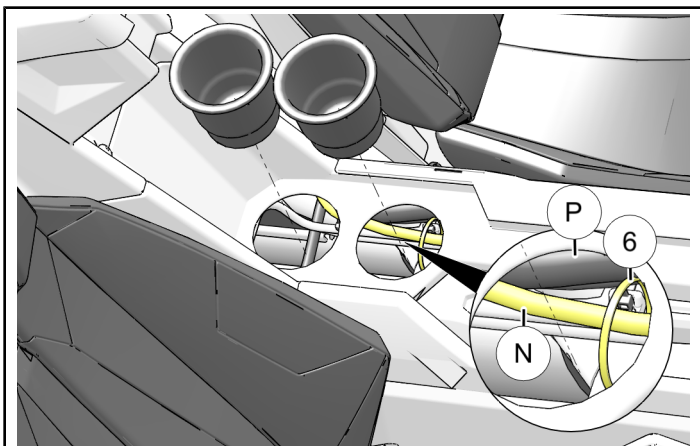
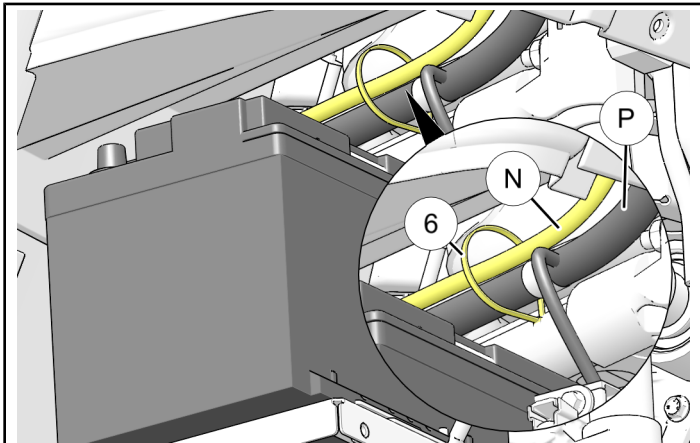
- b. Remove two cup holders (Q) to access transmission tunnel.





- c. From battery opening, route antenna harness (N) towards cup holder opening created in **previous step**.

Apply cable ties (6) periodically to keep antenna harness (N) taut.



- 7. Continue to follow electrical harness up to touchscreen infotainment opening.
- 8. Reinstall removed parts.
  - a. Reinstall two cup holders (Q) removed in **Step 6b of this section**.
  - b. Reinstall two screws (K), two push pin rivets (L), and battery cover (M) removed in **Step 5 of this section**.

Torque two screws (K) to specification.

### TORQUE

72 in. lbs. (8 Nm)

- c. Use eleven screws (D), removed in **Step 2 of this section**, to reinstall rear underbody (E) and license plate mount (C).

Torque eleven screws (D) to specification.

### TORQUE

72 in. lbs. (8 Nm)

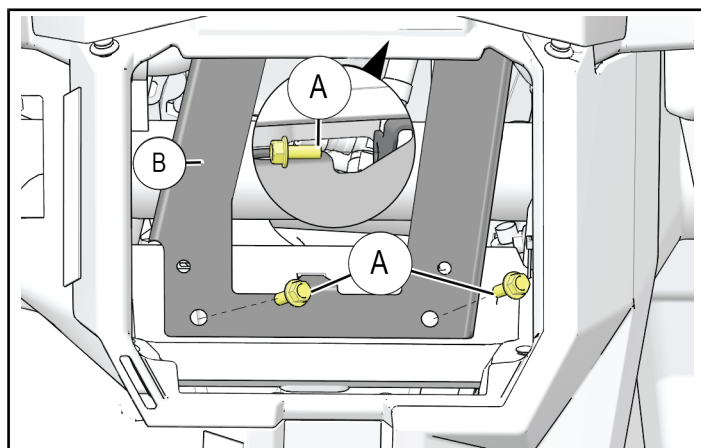
- d. Reconnect license plate light unplugged in **Step 1 of this section** by connecting electrical harness connector (A) to license plate light connector (B).

### AMP INSTALLATION

- 1. In touchscreen opening, remove and retain three screws (A) and amp bracket (B).

### NOTE

GPS may need to be disconnected if GPS Upgrade Kit PN: 2883036 was previously installed.

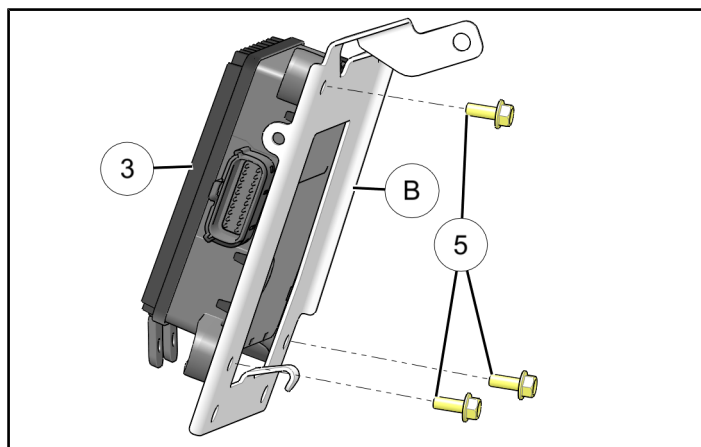


- 2. Install amp (3) to amp mounting bracket (B) with three screws (5).

Torque three screws (5) to specification.

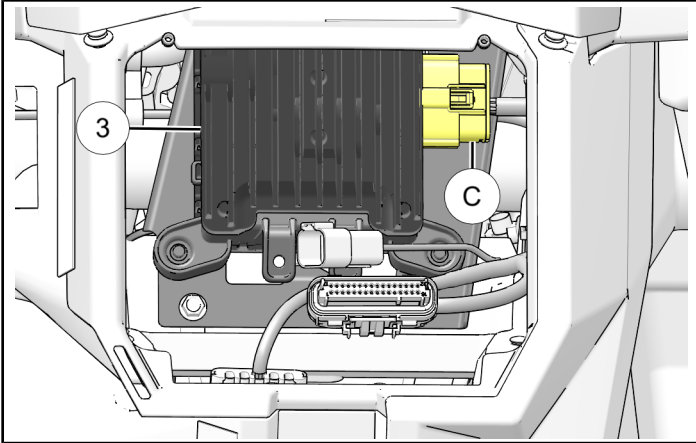
### TORQUE

65 in. lbs. (7 Nm)

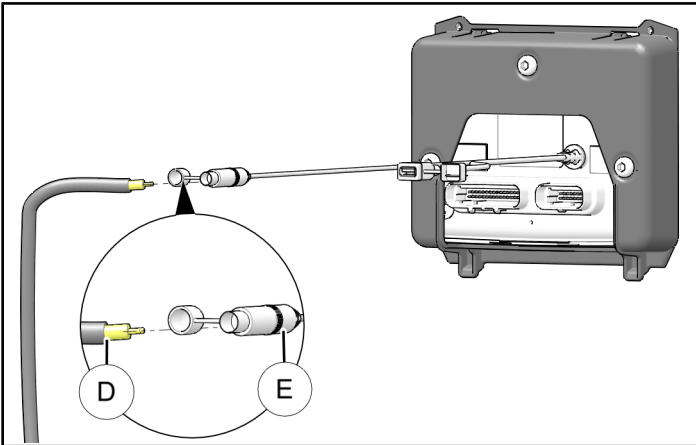


3. Reinstall amp mounting bracket **(B)** removed in **Step 1 of this section** with attached amp **(3)**.
4. Connect radio harness **(C)** to amp **(3)**.

Reconnect GPS if applicable.



5. Connect antenna harness connector **(D)** to touchscreen infotainment connector **(E)**.



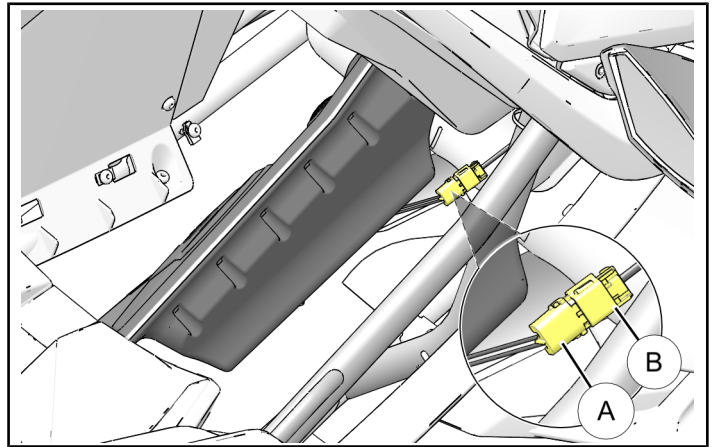
6. Reinstall touchscreen infotainment assembly **(E)**, bezel **(D)**, two bezel mounting screws **(B)**, and USB port **(A)** removed in **Touchscreen Infotainment Removal** section.

## SPEAKER INSTALLATION

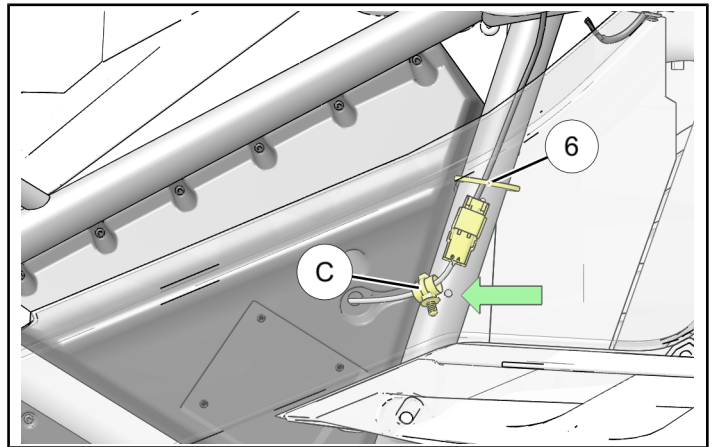
1. Connect speaker harness connector **(A)** to radio harness connector **(B)**.

### NOTE

Cable ties may need to be removed if Touchscreen Infotainment Kit PN 2882307 was previously installed.



2. Use cable tie **(6)** to secure cables to vehicle frame. Firmly push pin clip **(C)** (attached to speaker cable) into hole in vehicle frame.



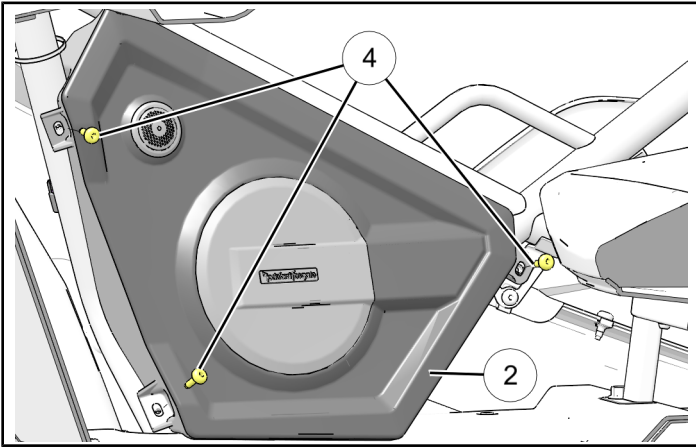
3. Install speaker assembly ② to vehicle frame with three screws ④.

Torque three screws ④ to specification.

4. Repeat **Steps 1 – 3** for other speaker assembly.

### TORQUE

48 in. lbs. (5 Nm)



### FEEDBACK FORM

A feedback form has been created for the installer to provide any comments, questions or concerns about the installation instructions. The form is viewable on mobile devices by scanning the QR code or by clicking [HERE](#) if viewing on a PC.

### FEEDBACK FORM

