

TOUCHSCREEN INFOTAINMENT KIT



SLINGSHOT

P/N 2883027

APPLICATION

All 2018 and newer Slingshot® base models

BEFORE YOU BEGIN

Read these instructions and check to be sure all parts and tools are accounted for. Please retain these installation instructions for future reference and parts ordering information.

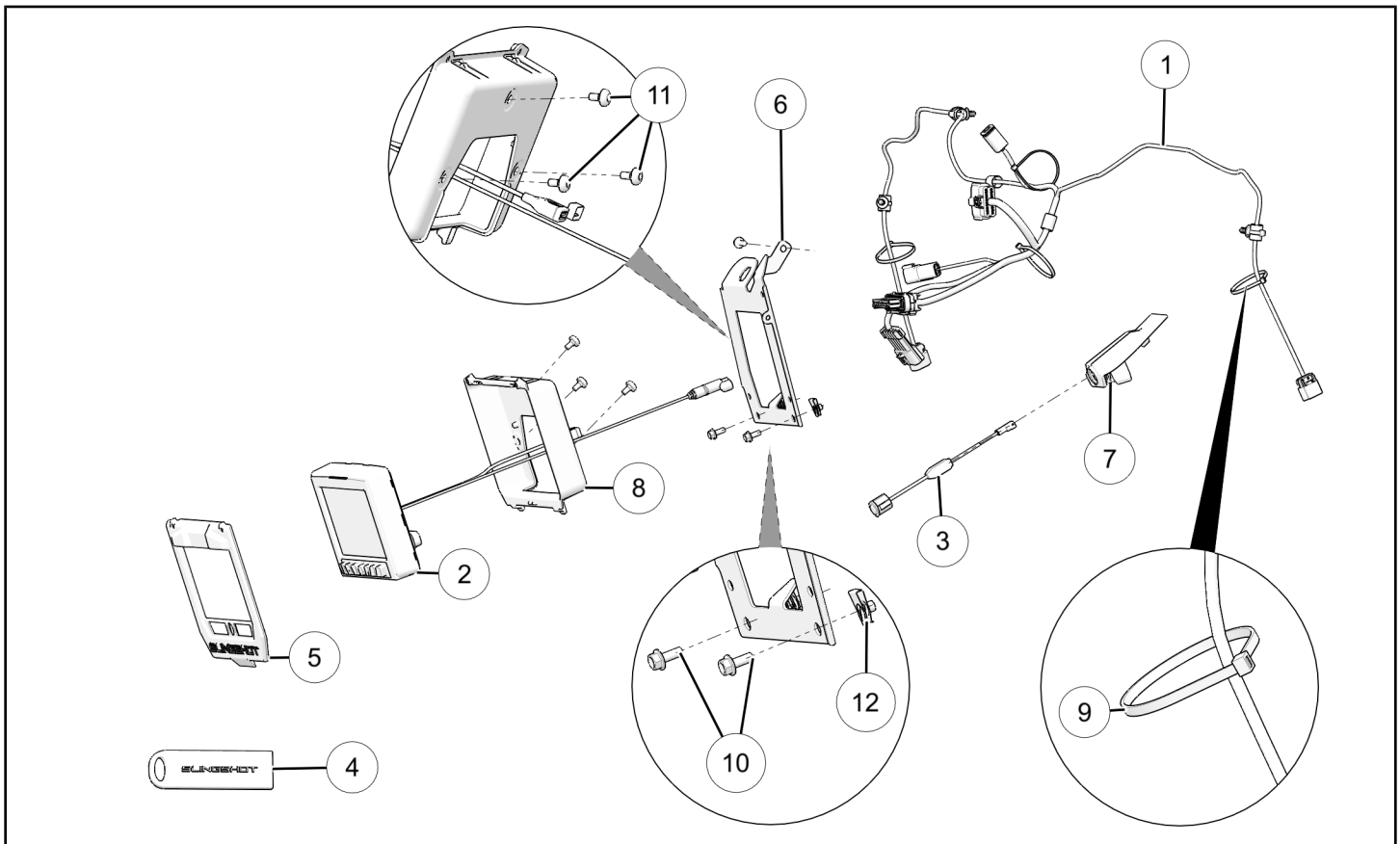
DISCLAIMER ACCESSORY WEIGHT

When adding accessories, equipment, passengers and luggage to your vehicle, do not exceed the total weight capacity of the vehicle or of the front or rear axle (GVWR or GAWR as indicated on the Safety Compliance Certification label). Ask an authorized dealer for specific weight information if you need assistance. It is the owner's responsibility to use the Polaris Slingshot Accessories website as a tool for limiting the amount of accessories, based on maximum allowable vehicle weight requirements. It may be a violation of the Clean Air Act or the NHTSA regulations to disregard these requirements. For a complete listing of the accessories that are available for your vehicle, please contact your authorized dealer or visit the online store web site:

Web Address (United States): <http://www.polaris.com/en-us/slingshot/shop/accessories>.

KIT CONTENTS

This Kit includes:



NOTE

XXX = Slingshot® Color Code (For Example: 266 = Gloss Black)

REF	QTY	PART DESCRIPTION	PART NUMBER
1	1	Harness, Radio	2414205
2	1	Assembly, Display, 7 in.	3280737
3	1	Camera, Rear, Cable	4016539
4	1	Drive, USB, 8 gb	4017566
5	1	Trim, Bezel, Ride Command™	5141361-XXX
6	1	Bracket, Amplifier, Ride Command™	5264260
7	1	Mount, Backup Camera	5452814
8	1	Mount, Ride Command™	5454519
9	6	Cable Ties	7080138
10	3	Screw, Hex Flange, M6 X 1 X 16	7518591
11	3	Screw, Hex Button Head, M6 X 1 X 10	-
12	2	Nut, Clip, M6 X 1	7081305
	1	Instructions	9928464

TOOLS REQUIRED

- Safety Glasses
- Socket Set, Hex Bit, Metric
- Socket Set, Metric
- Socket Set, Torx® Bit
- Wrench Set, Metric
- Torque Wrench

IMPORTANT

Your Touchscreen Infotainment Kit is exclusively designed for your vehicle. Please read the installation instructions thoroughly before beginning. Installation is easier if the vehicle is clean and free of debris. For your safety, and to ensure a satisfactory installation, perform all installation steps correctly in the sequence shown.

ASSEMBLY TIME

Approximately 120 minutes

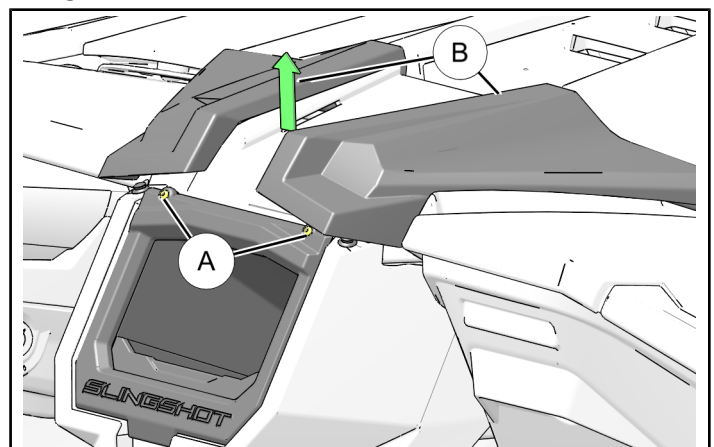
INSTALLATION INSTRUCTIONS

1. Shift vehicle transmission to NEUTRAL. Turn key to OFF position and remove from vehicle.

Apply parking brake.

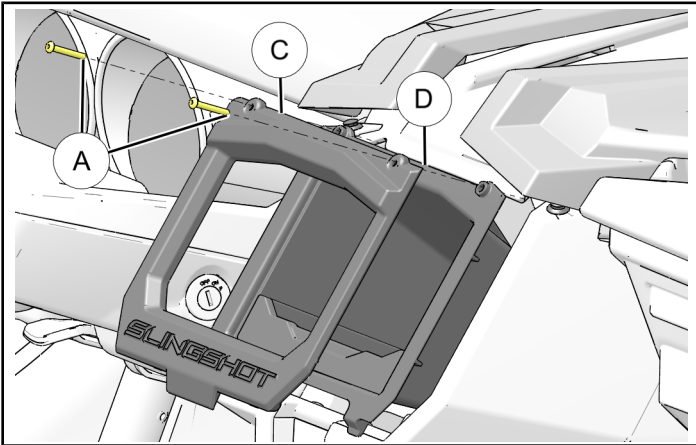
REMOVING STOCK PARTS

1. Access two bezel mounting screws (A) by carefully pulling up on two front center dashboard pieces (B).

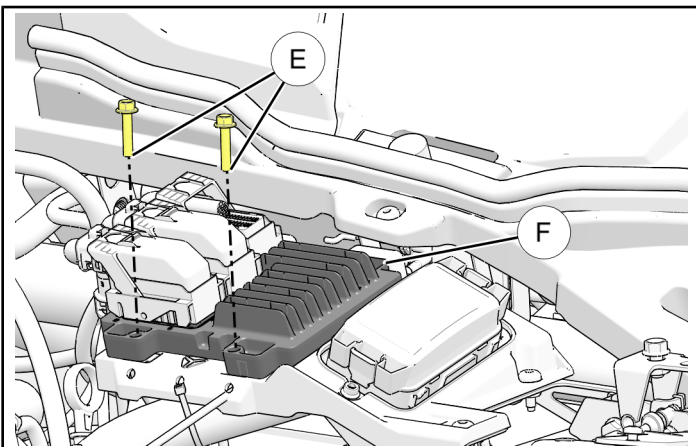


2. Remove and retain two bezel mounting screws (A) for **Touchscreen Infotainment Installation section**.

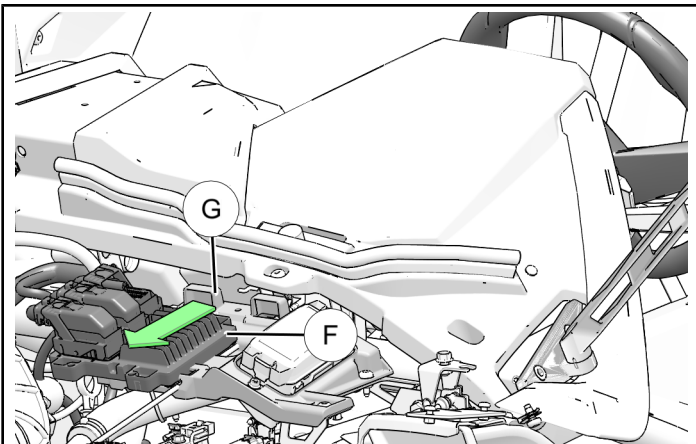
Remove and discard bezel (C) and storage compartment (D).



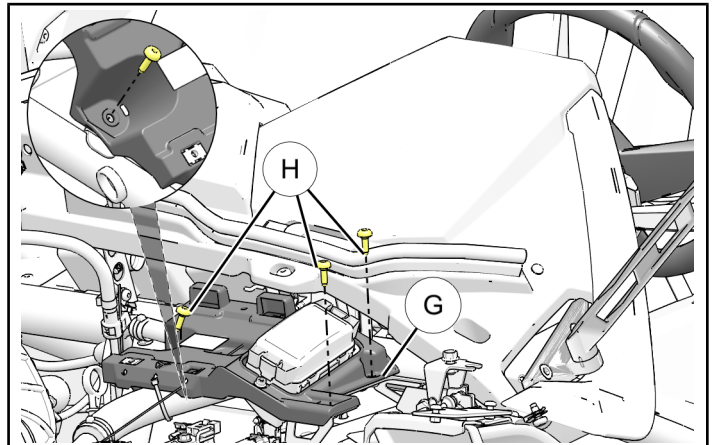
3. Open vehicle hood to remove ECM.
 - a. Remove and retain two screws (E) from ECM mount (F).



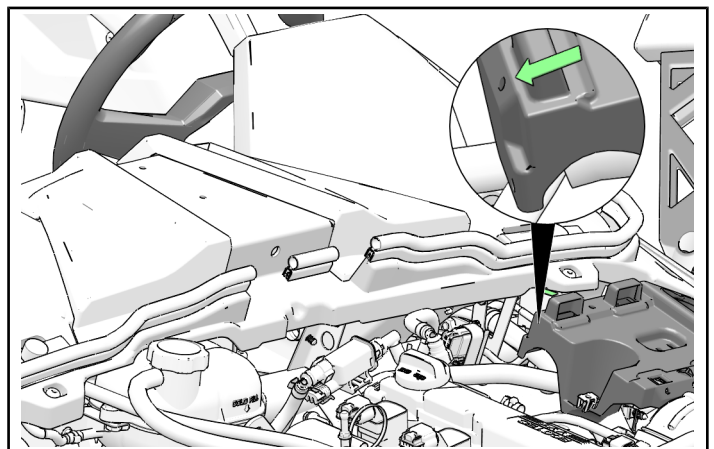
- b. Slide ECM mount (F) with electrical harness attached away from chassis mount (G) towards front of vehicle and gently place out of way.



- c. Remove and retain three screws (H) from chassis mount (G) to rear of chassis mount (G).

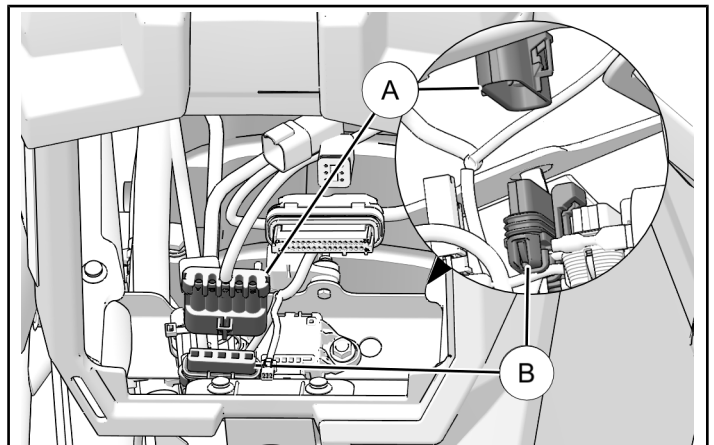


- d. Tilt chassis mount (G) slightly to access hole that push pin rivet will be installed into.

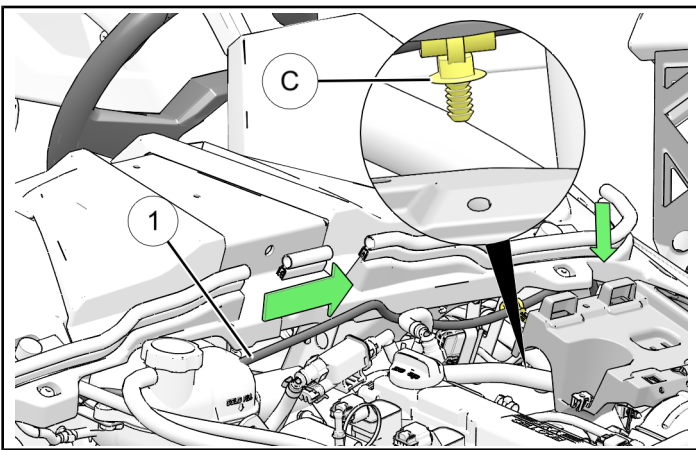
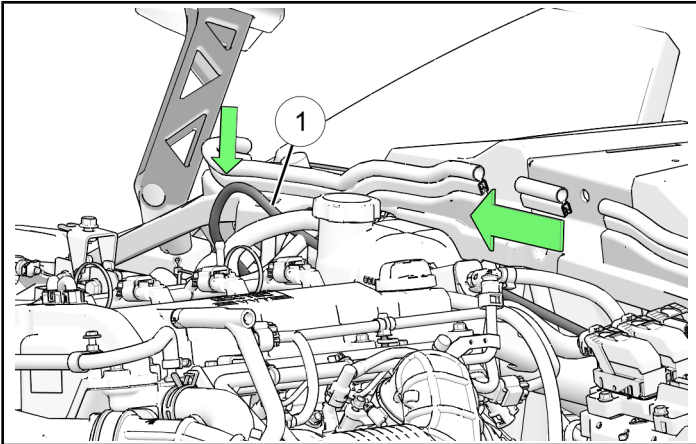


RADIO HARNESS INSTALLATION

1. Place radio harness in opening created in previous section and connect radio harness power connector (A) to electrical harness connector (B).



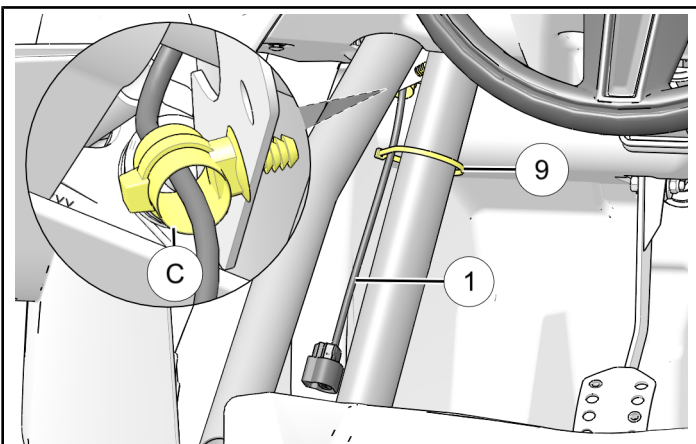
- Route radio harness ① under hood towards passenger and driver side, attaching harness with one harness cable tie ③ to chassis mount as shown.



- Continue to route radio harness ① towards outside of vehicle frame and under outside frame joint using harness cable tie ③ and cable tie ⑨ to attach radio harness ① to frame.

NOTE

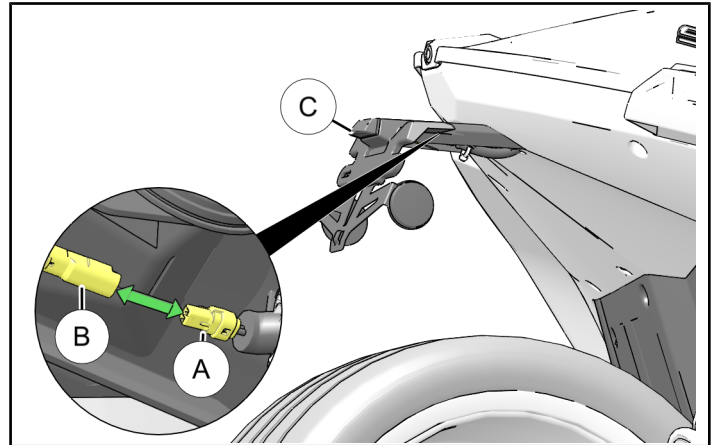
Use additional cable ties ⑨ if Premium Audio Kit PN: 2882369 is not being installed at this time.



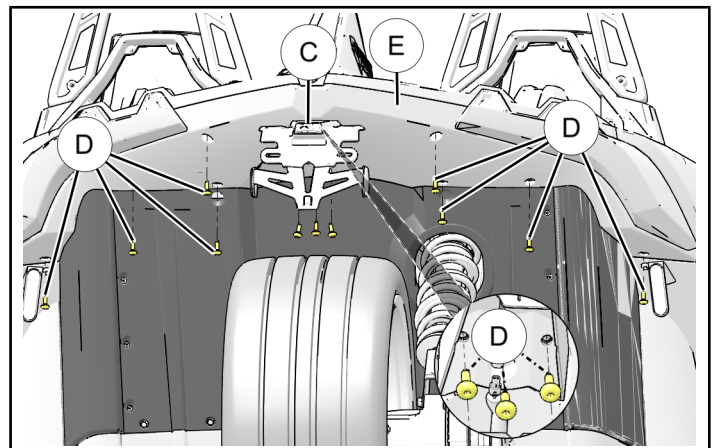
- Repeat previous step for other side.
- Reinstall three screws ⑧ to reinstall chassis mount ⑥, then reinstall two screws ⑤ to reinstall ECM mount ⑦ removed in **Step 3 of Removing Stock Parts** section.

REAR CAMERA INSTALLATION

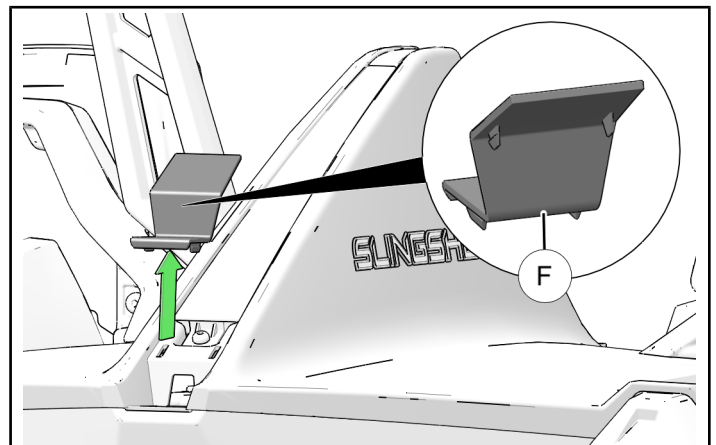
- Disconnect electrical harness connector ① from license plate light connector ② located underneath license plate mount ③.



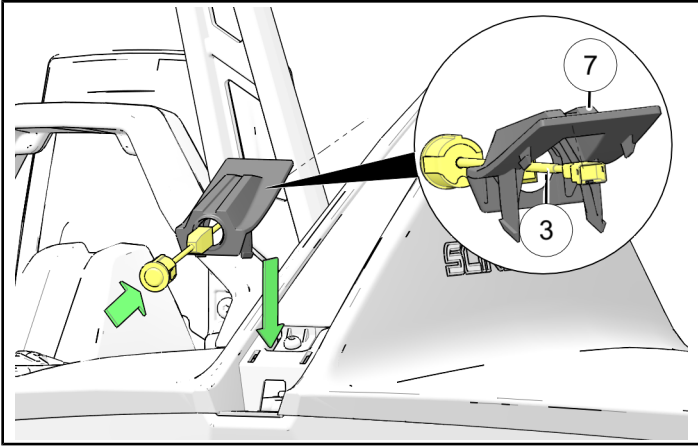
- Remove and retain eleven fasteners ④ to remove rear underbody ⑤ and license plate mount ③.



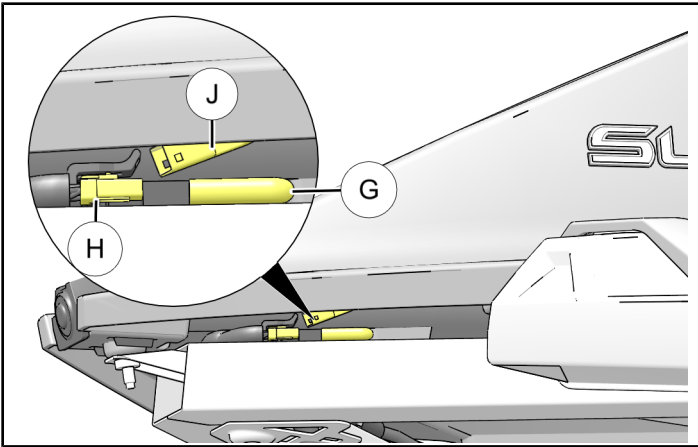
- Remove and discard trim ⑥ from rear fin.



4. Install rear camera ③ into rear camera mount ⑦ and press unit securely into place where discarded trim ⑥ was removed from.



5. Remove electrical harness connector cover ⑥ from electrical harness connector ⑧ and connect camera harness connector ⑨ to electrical harness connector ⑧.



6. Reinstall eleven fasteners ⑩, rear underbody ⑪, and license plate mount ⑫ removed in **Step 2 of this section**.

Reconnect electrical harness connector ⑨ to license plate light connector ⑩ disconnected in **Step 1 of this section**.

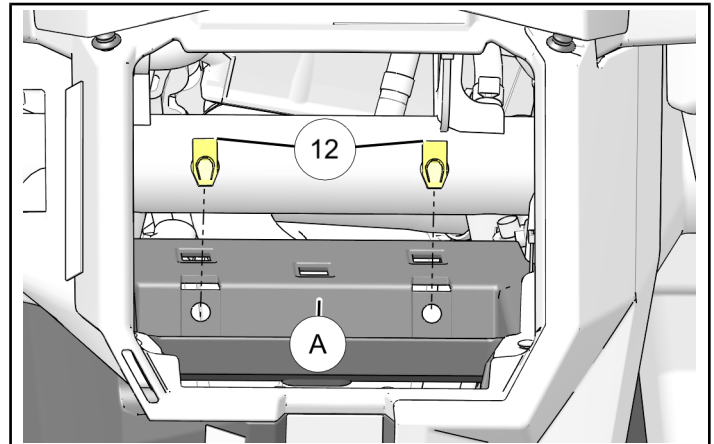
Torque eleven fasteners ⑩ to specification.

TORQUE

72 in. lbs. (8 Nm)

TOUCHSCREEN INFOTAINMENT INSTALLATION

1. Install two clip nuts ⑬ onto splash panel ⑭.

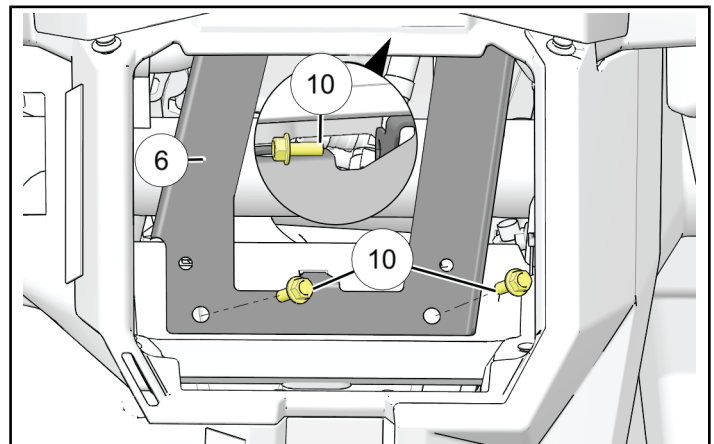


2. Install amp bracket ⑮ with three screws ⑯ onto splash panel.

Torque three screws ⑯ specification.

TORQUE

65 in. lbs. (7.5 Nm)



NOTE

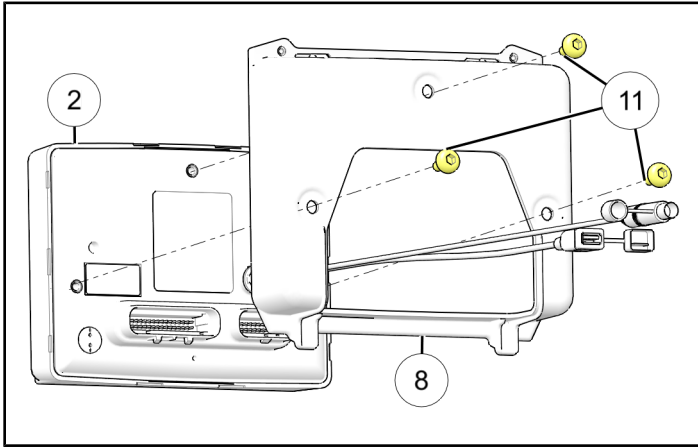
If not installing GPS Upgrade Kit PN: 2882369, use two additional cable ties ⑰ to secure electrical harness connectors to amp bracket ⑮.

3. Mount touchscreen infotainment ② to Ride Command™ mount ⑧ using three fasteners ⑪.

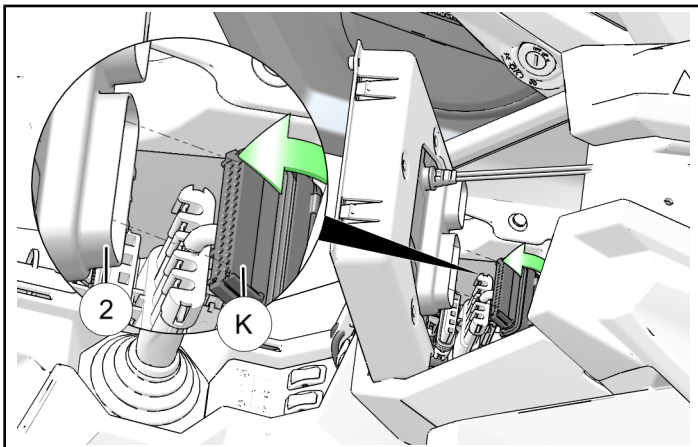
Torque three fasteners ⑪ to specification.

TORQUE

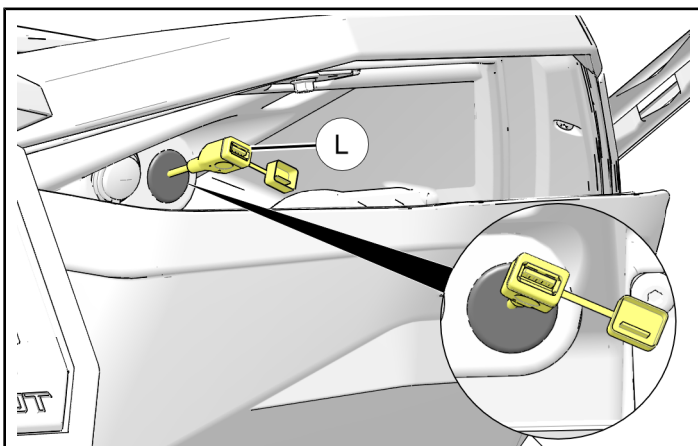
30 in. lbs. (4 Nm)



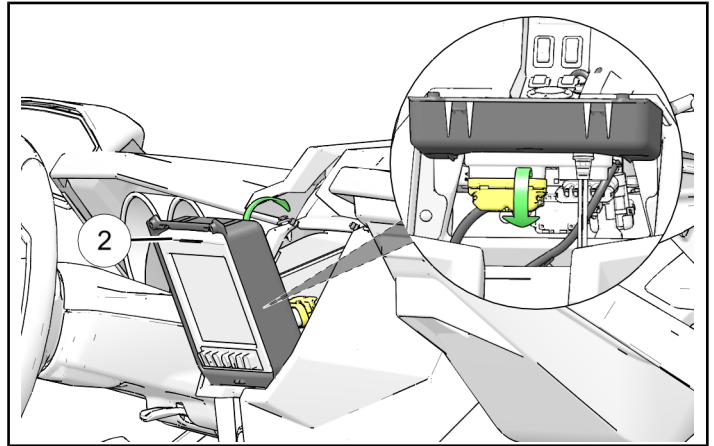
4. Connect radio harness ① to touchscreen infotainment ②.



5. Route USB port ① to glove box and remove rubber plug. Insert USB port ① through hole until grommet is fully in place.



6. Place touchscreen infotainment ② into center dashboard console by placing bottom tabs in first and then gently placing top portion in.

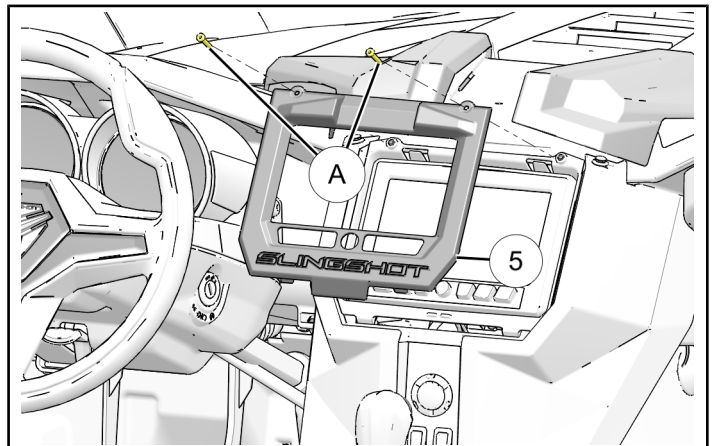


7. Install bezel ⑤ with two bezel mounting screws ① retained from **Step 2 of Removing Stock Parts** section.

Torque two screws ① to specification

TORQUE

18 in. lbs. (2 Nm)



8. Press down firmly on two front center dashboard pieces ② that were lifted out of place in **Step 1 of Removing Stock Parts** section.
9. Reinstall ECM, removed in **Step 3 of Removing Stock Parts** section.
 - a. Use three screws ③ to reinstall chassis mount ④.
 - b. Slide ECM mount ⑥ into chassis mount ④ and use two screws ⑤ to reinstall ECM mount ⑥.

FEEDBACK FORM

A feedback form has been created for the installer to provide any comments, questions or concerns about the installation instructions. The form is viewable on mobile devices by scanning the QR code or by clicking [HERE](#) if viewing on a PC.

