

# PMX AUDIO KIT BY ROCKFORD FOSGATE®



**SLINGSHOT**

P/N 2884173

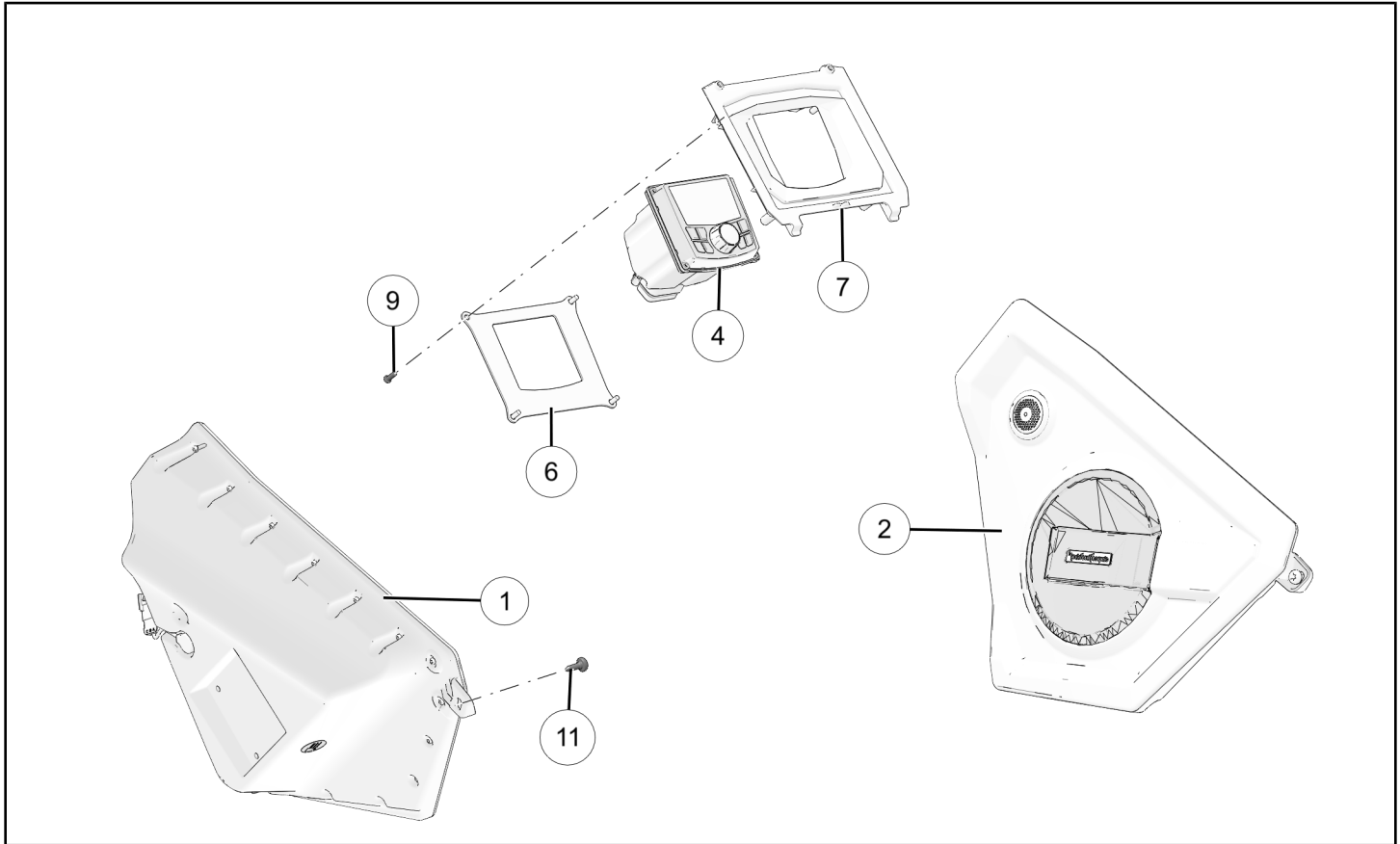
## APPLICATION

Verify accessory fitment at [www.polarisslingshot.com](http://www.polarisslingshot.com).

## BEFORE YOU BEGIN

Read these instructions and check to be sure all parts and tools are accounted for. Please retain these installation instructions for future reference and parts ordering information.

## KIT CONTENTS

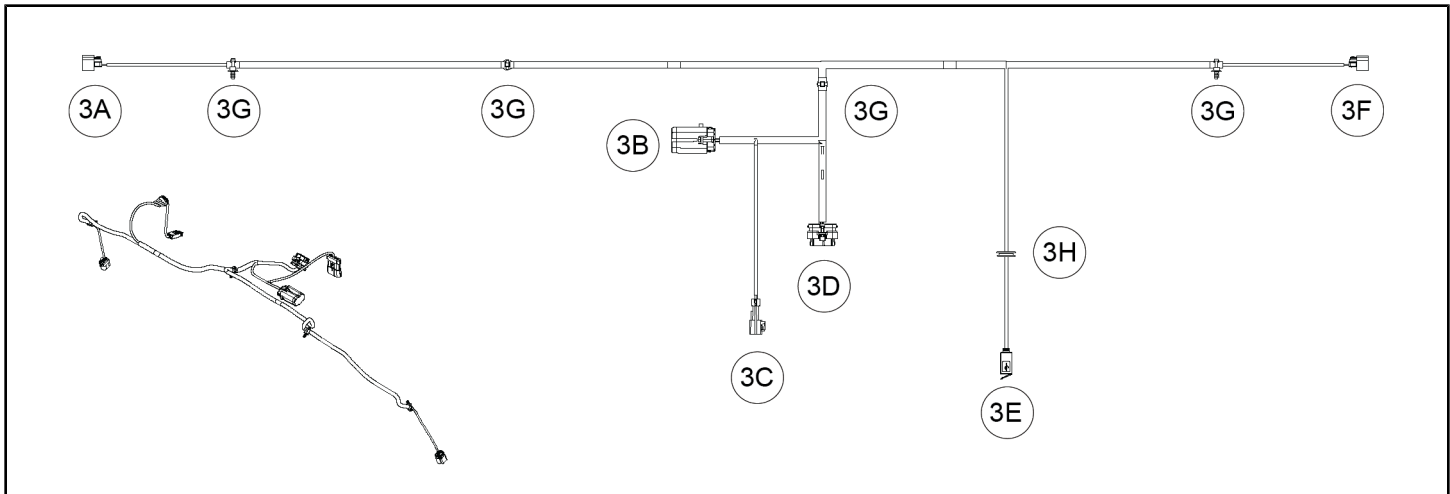


REF	QTY	PART DESCRIPTION	P/N AVAILABLE SEPARATELY
1	1	Assembly–Enclosed, Speaker, Left-Hand	2414070
2	1	Assembly–Enclosed, Speaker, Right-Hand	2414071
3	1	Harness–PMX (see <i>Harness Detail</i> section, page 2)	2415116
4	1	Audio–PMX	2637487
5	1	Antenna–SS, Brake Light (see <i>Harness Detail</i> section, page 2)	4018509
6	1	Bracket–Mount, PMX	5268462
7	1	Mount–Dashboard	5456468
8	16	Cable Tie (not shown)	7080138

REF	QTY	PART DESCRIPTION	P/N AVAILABLE SEPARATELY
9	4	Screw–Torx®, #10 x 1.2, Hi/Lo	7512076
10	1	Nut–Nylon Locking, 6 mm x 1 (not shown)	7546703
11	6	Screw–Torx® Button Head, M6 x 1.0 x 21	7520909

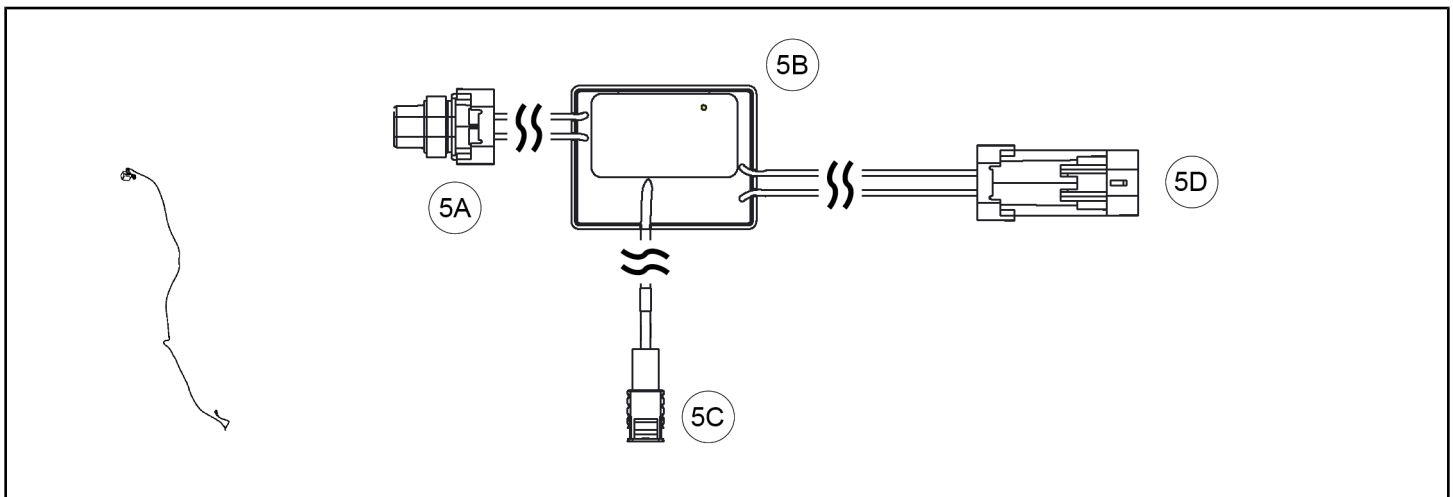
## HARNESS DETAIL

### PMX HARNESS, P/N 2415116



REF	PART DESCRIPTION	PIN QTY/ GENDER	CONNECTS TO
3A	Connector, Speaker, Left-Hand	3 Pin Female	Assembly–Enclosed, Speaker, Left-Hand
3B	Fuse Box	—	Vehicle Structure
3C	Connector, Chassis Harness	5 Pin Male	Chassis Electrical Harness
3D	Connector, Radio	23 Pin Female	Audio–PMX
3E	USB	—	n/a
3F	Connector, Speaker, Right-Hand	3 Pin Female	Assembly–Enclosed, Speaker, Right-Hand
3G	Clip–Routing	—	Vehicle Structure
3H	Grommet–Rubber, USB	—	Vehicle Structure, Storage

## ANTENNA HARNESS, P/N 4018509



REF	PART DESCRIPTION	PIN QTY/ GENDER	CONNECTS TO
5A	Connector, Brake Light	2 Pin Female	Harness–Electrical, Chassis
5B	Antenna, Brake Light	—	Vehicle Structure
5C	Connector, Antenna	n/a	PMX Audio
5D	Connector, Brake Light	2 Pin Male	Brake Light

### TOOLS REQUIRED

- Safety Glasses
- Hex Key Set, Metric
- Pliers, Side Cutting
- Socket Set, Hex Bit, Metric
- Socket Set, Metric
- Socket Set, Torx® Bit
- Torque Wrench
- Wrench Set, Metric

### IMPORTANT

Your PMX Audio Kit By Rockford Fosgate® is exclusively designed for your vehicle. Please read the installation instructions thoroughly before beginning. Installation is easier if the vehicle is clean and free of debris. For your safety, and to ensure a satisfactory installation, perform all installation steps correctly in the sequence shown.

### INSTALLATION INSTRUCTIONS

#### VEHICLE PREPARATION

##### GENERAL

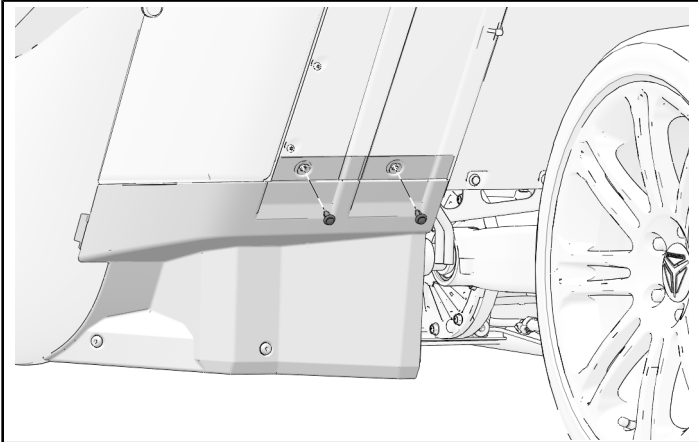
1. Shift vehicle transmission into NEUTRAL. Turn key to OFF position and remove from vehicle. Apply parking brake.

**MODEL YEAR 2015-2019  
BATTERY ACCESS**

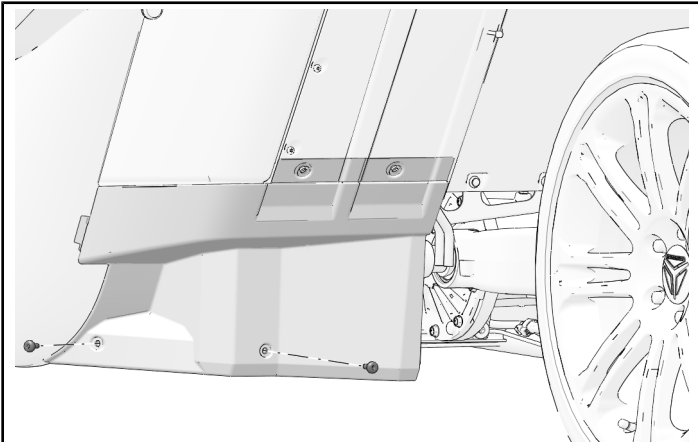
**NOTE**

Battery access panel removal is also required for harness routing.

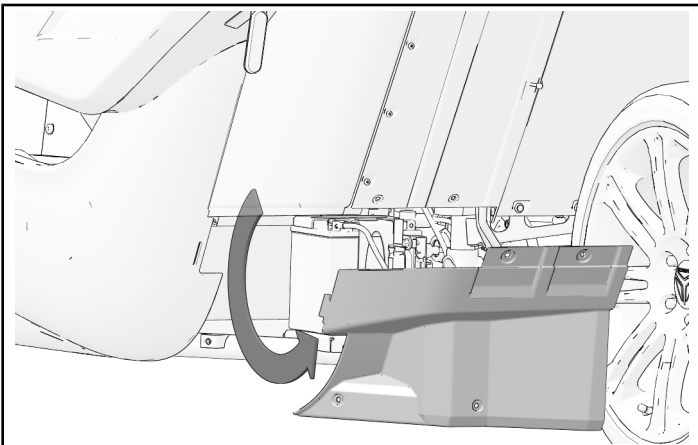
1. Remove two push-pin rivets from battery access cover.



2. Remove two panel fasteners from battery access cover.

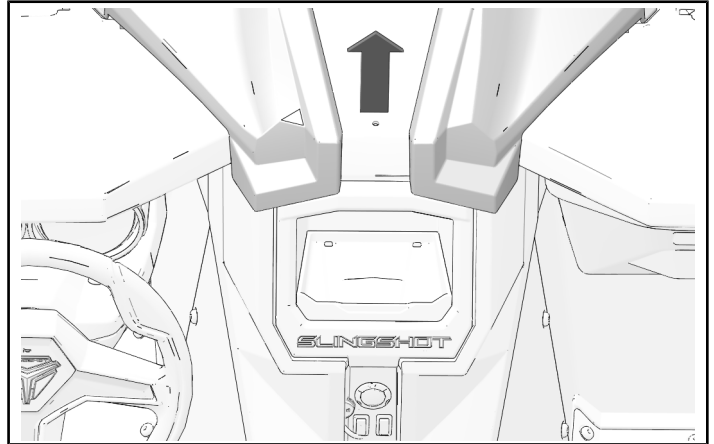


3. Slide battery access cover down-and-back to remove.

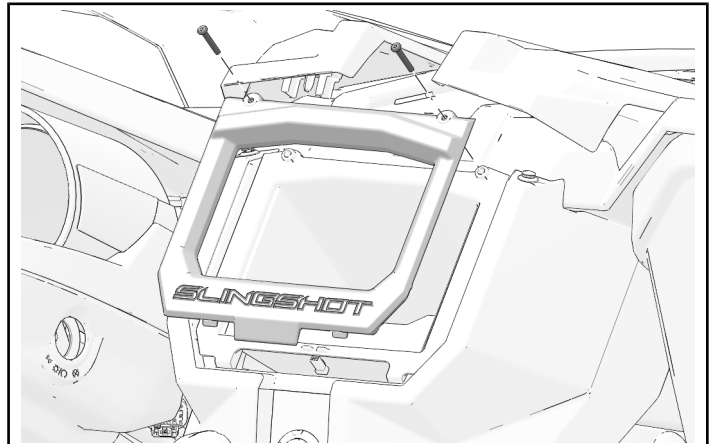


**DASHBOARD STORAGE REMOVAL**

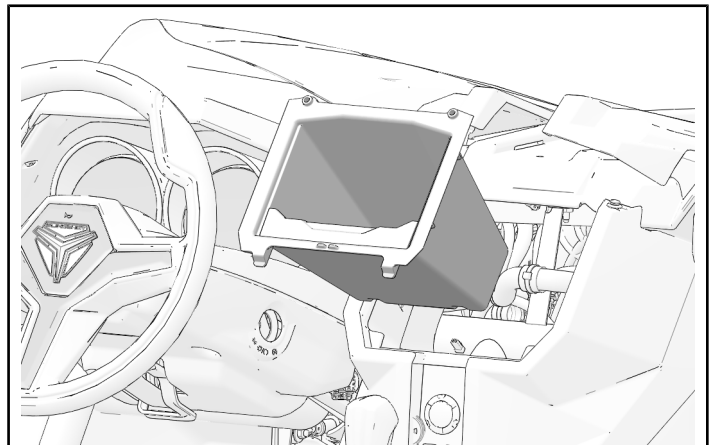
1. Pull up on two front center dashboard panels.



2. Remove bezel and two bezel fasteners.



3. Remove storage compartment from dashboard.

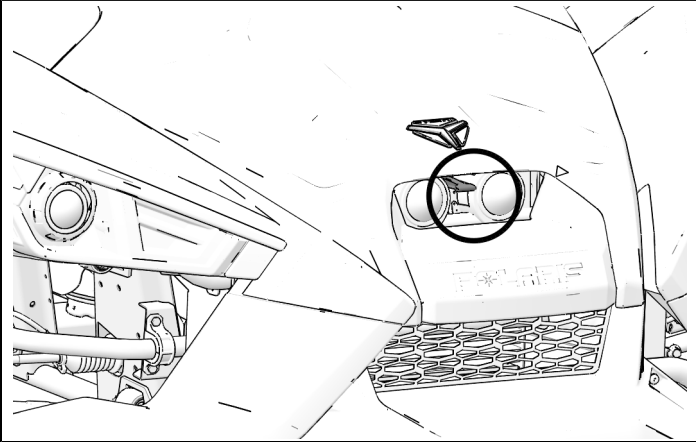


## OPENING HOOD

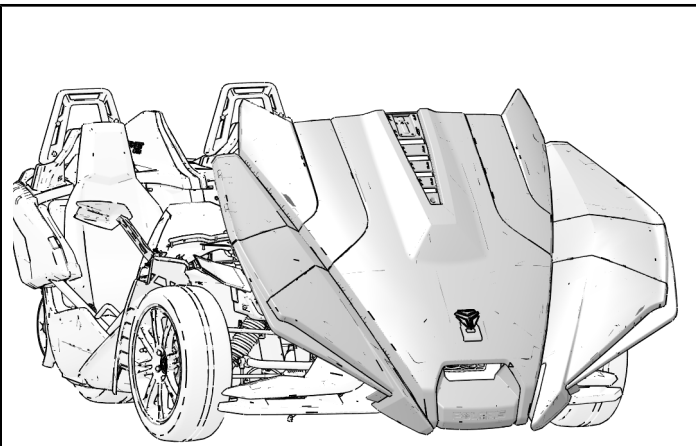
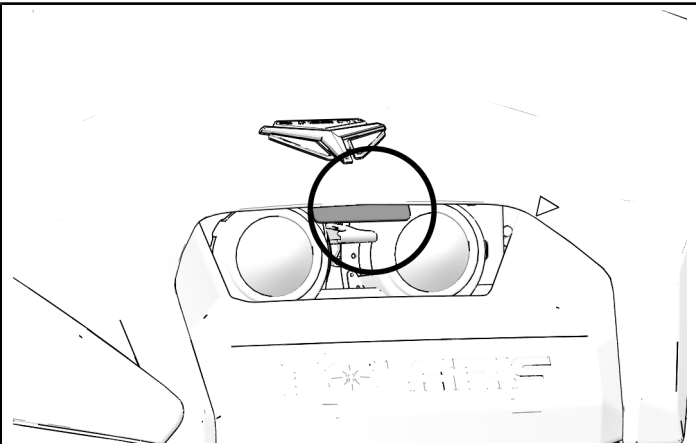
### CAUTION

Engine components may be hot after use. Always use hood handle only when opening hood. Do not grasp hood edges.

1. Push hood release lever down to disengage four hood latches.

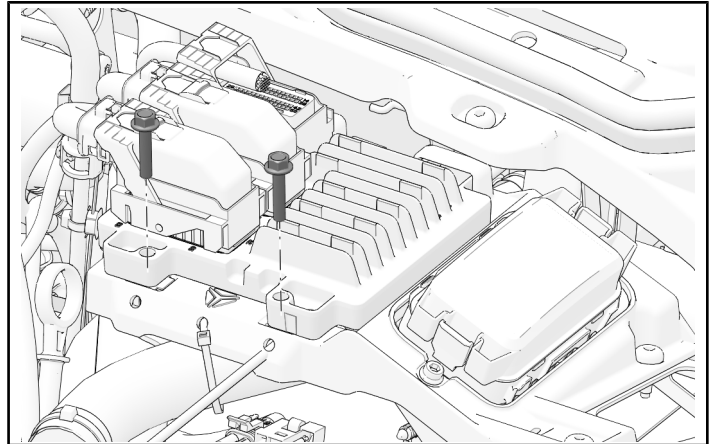


2. Firmly pull hood handle upward and forward, rotating hood to vertical position in front of vehicle.

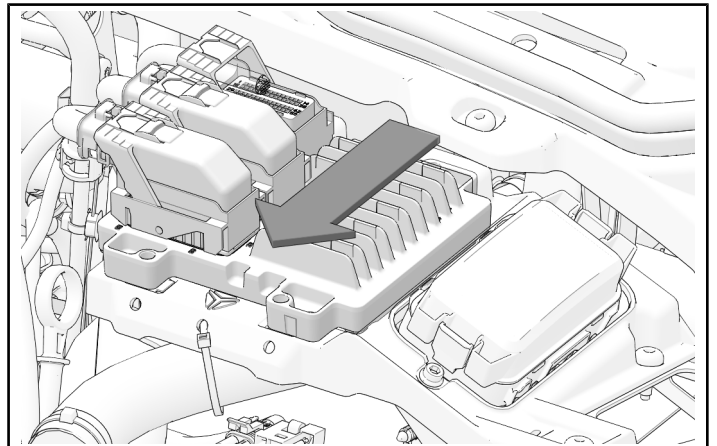


## ELECTRONIC CONTROL MODULE (ECM) REMOVAL

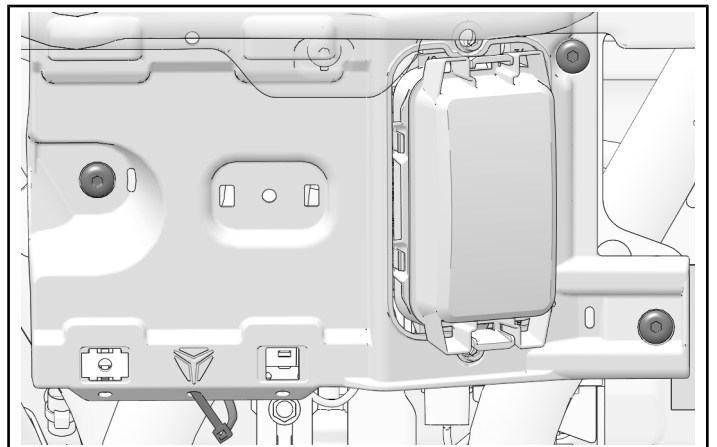
1. Remove and retain two screws from ECM mount.



2. Slide ECM mount towards front of vehicle, with electrical harnesses still attached.

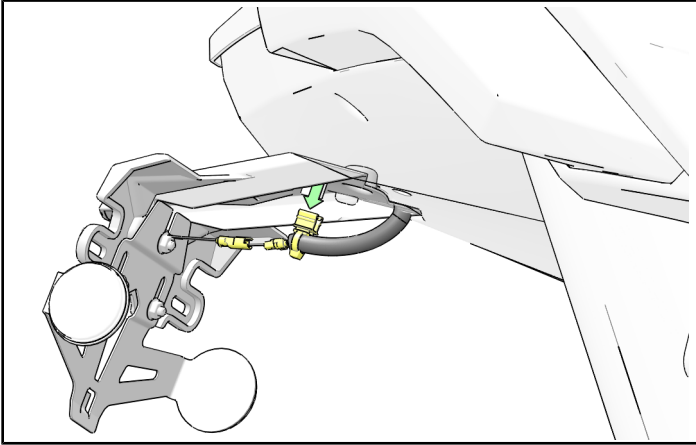


3. Remove and retain three screws from chassis mount. Cut cable tie to remove chassis mount from vehicle.

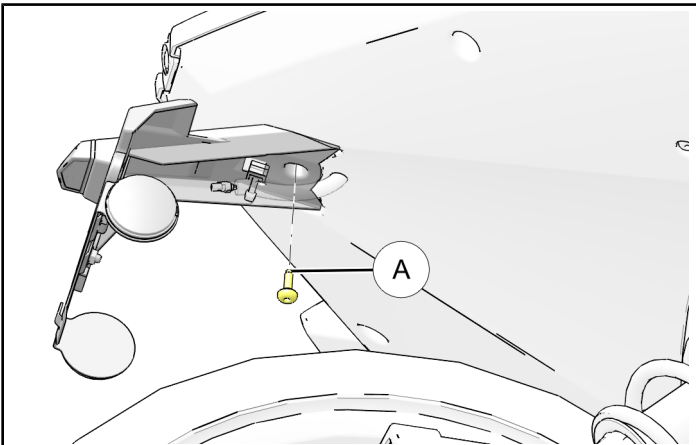


## REAR DECK PANEL REMOVAL

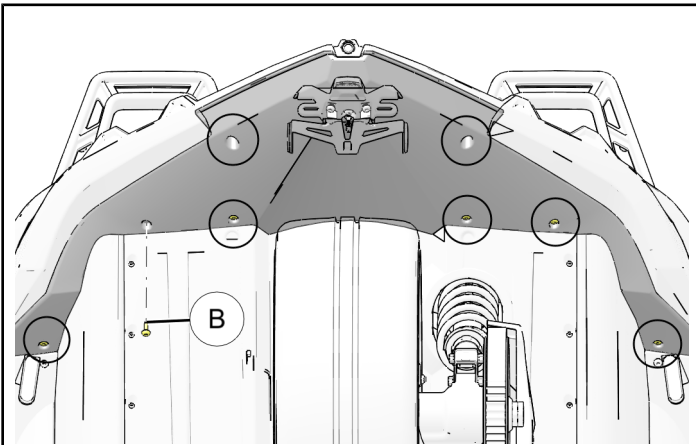
1. Carefully pull-apart license plate light connectors, located under license plate mount assembly. Slide edge clip, holding electrical harness, off license plate bracket and let it hang.



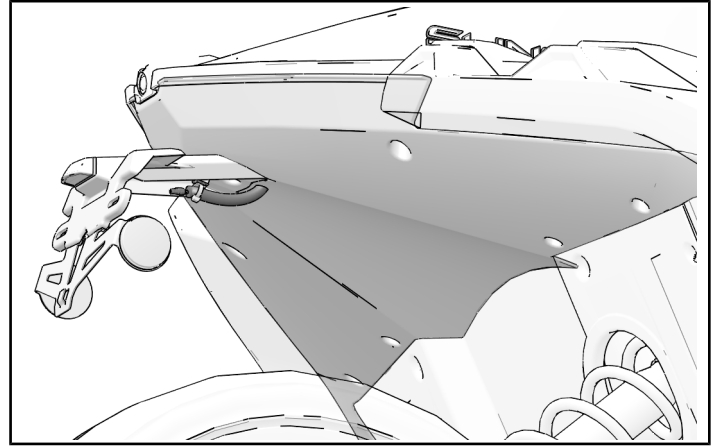
2. Remove and retain one screw (A) from underside of license plate mount assembly.



3. Remove and retain eight screws (B) from underside rear deck.



4. Ensure license plate light harness passes through underside rear deck while removing panel from vehicle.



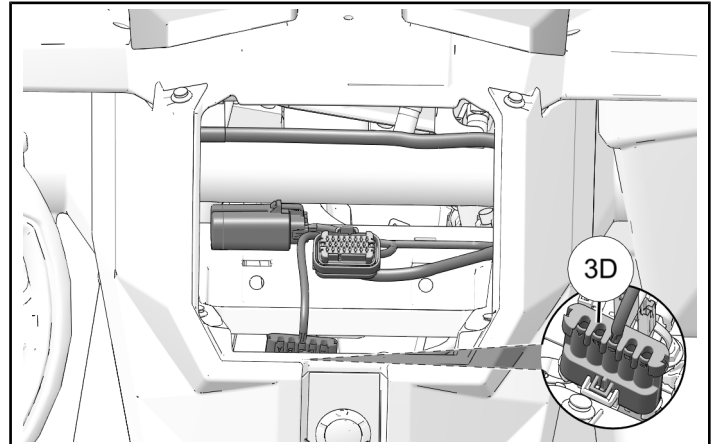
## ACCESSORY INSTALLATION

### AUDIO HARNESS ROUTING

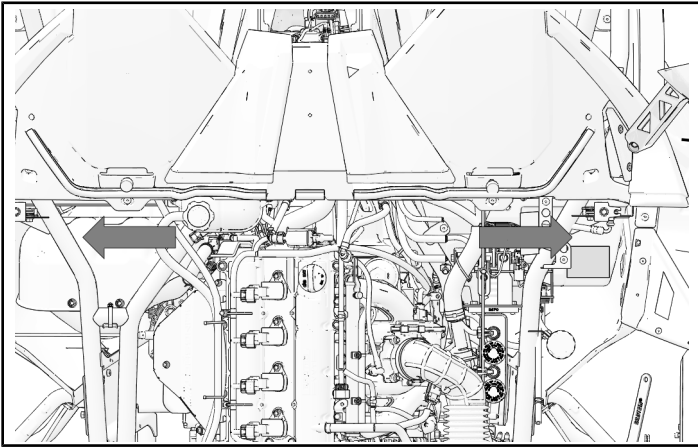
#### TIP

If routing clips do not align with holes in vehicle frame then right-hand and left-hand speaker harnesses are not routed to correct speaker.

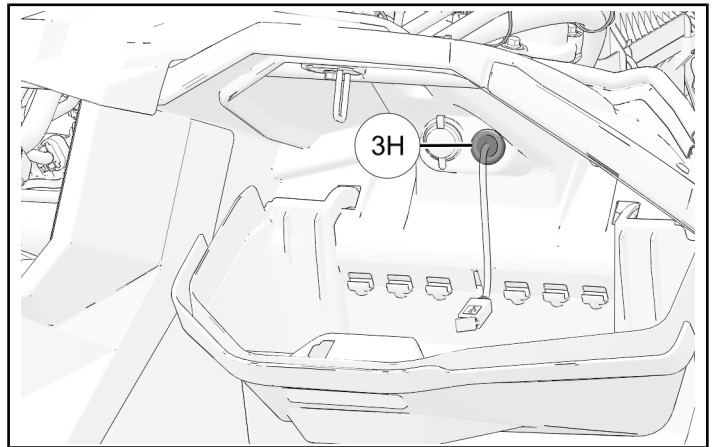
1. Place audio harness into storage compartment opening. Join power connector 3D to chassis electrical harness.



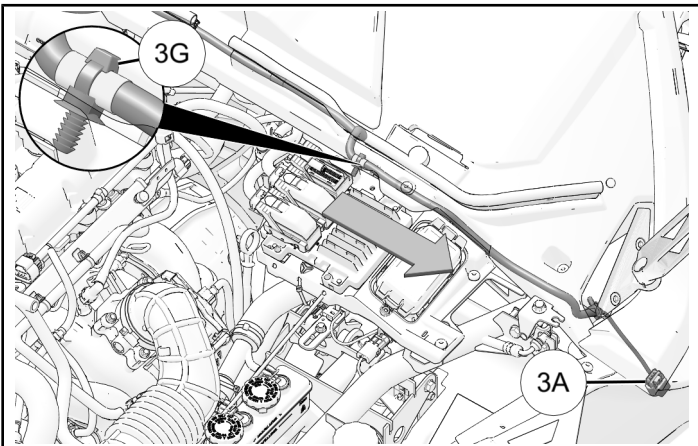
- Route speaker connectors left and right along chassis, beneath front of dashboard.



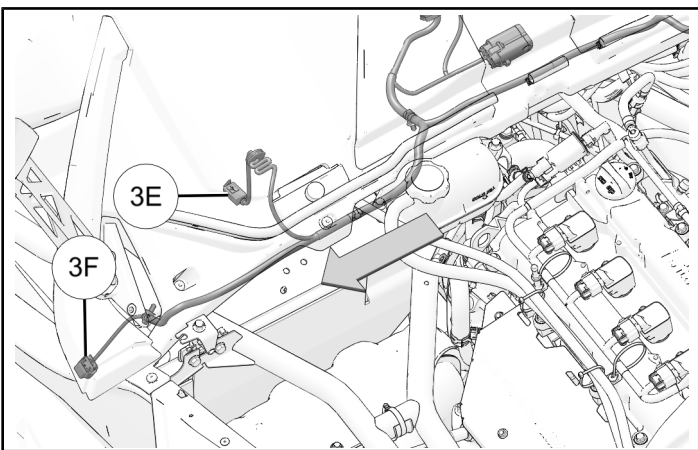
- Pass USB connector 3E through hole in storage compartment and seat grommet 3H in hole.



- Secure left side of harness to ECM mount with one routing clip 3G. Route left-hand speaker connector 3A down to driver-side floor board.



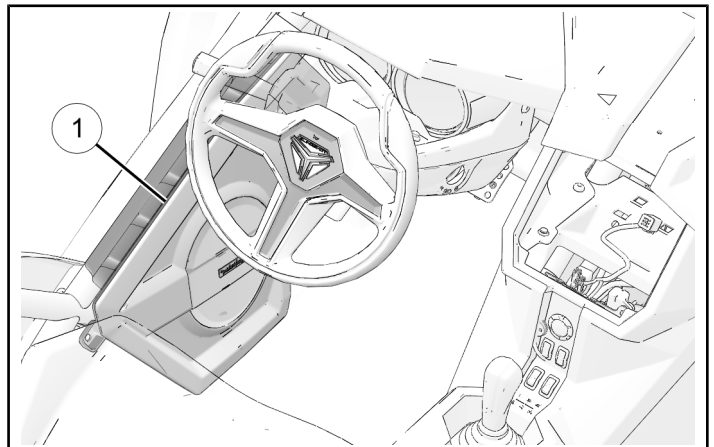
- Route USB connector 3E to passenger storage compartment. Route right-hand speaker connector 3F down to passenger-side floor board.



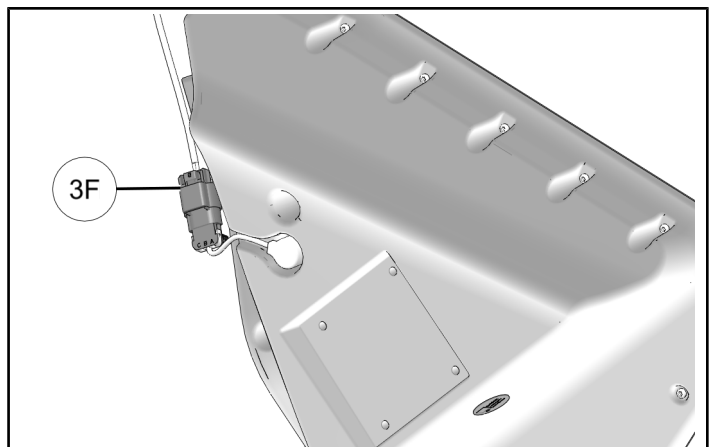
## ***SPEAKER INSTALLATION***

### **LEFT-SIDE SPEAKER**

- Position left speaker ① against vehicle frame.



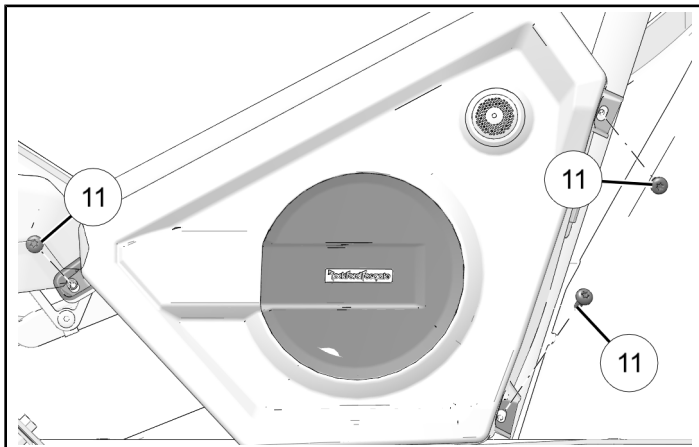
- Join audio harness connector 3F to left speaker. Secure harness to vehicle with routing clip 3G and one cable tie ⑧.



3. Install speaker to vehicle with three speaker fasteners ⑪.

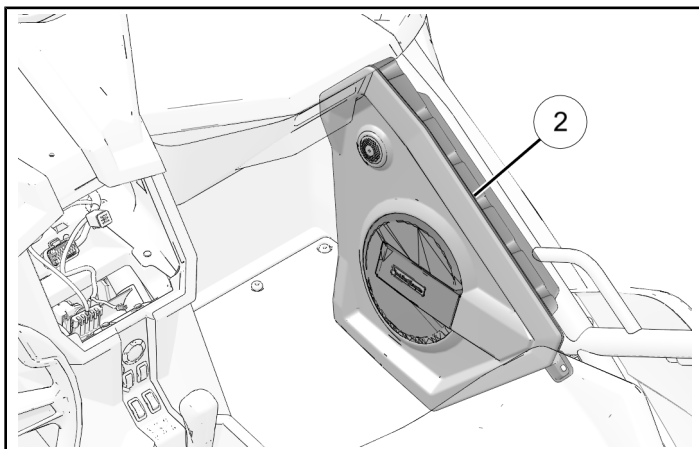
#### TORQUE

Speaker Fasteners ⑪:  
48 in-lbs (5 N·m)

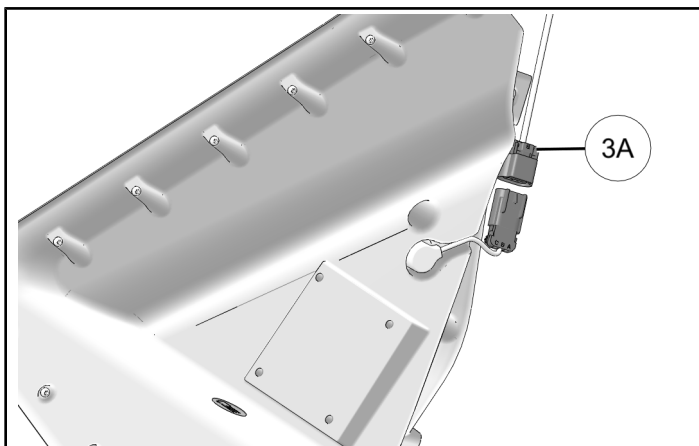


#### RIGHT-HAND SPEAKER

1. Position left speaker ② against vehicle frame.



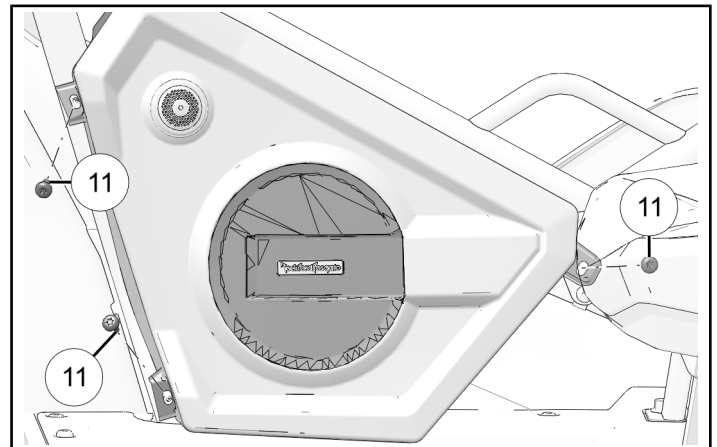
2. Join audio harness connector 3A to right speaker. Secure harness to vehicle with routing clip 3G and one cable tie ⑧.



3. Install speaker to vehicle with three speaker fasteners ⑪.

#### TORQUE

Speaker Fasteners ⑪:  
48 in-lbs (5 N·m)

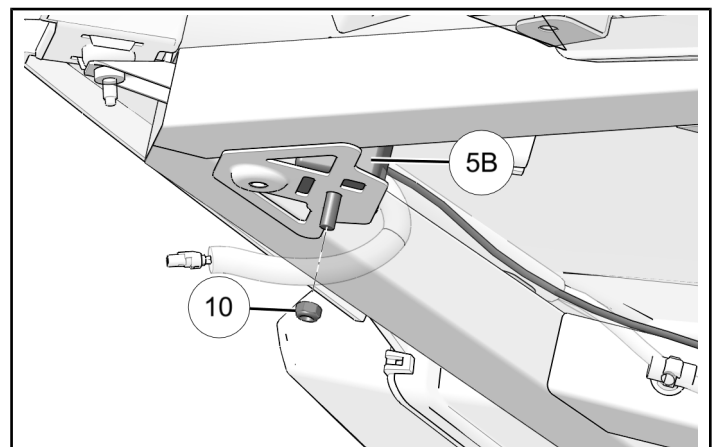


#### ANTENNA HARNESS ROUTING

1. Disconnect brake light.
2. Place antenna 5B in antenna mount bracket and secure with nut ⑩.

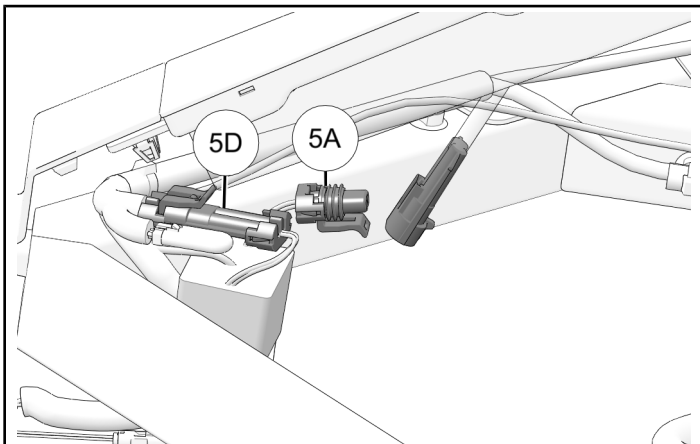
#### TORQUE

Nut ⑩:  
84 in-lbs (9 N·m)

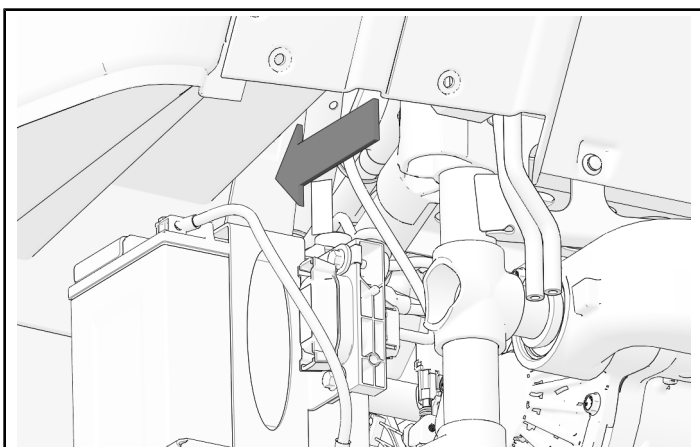




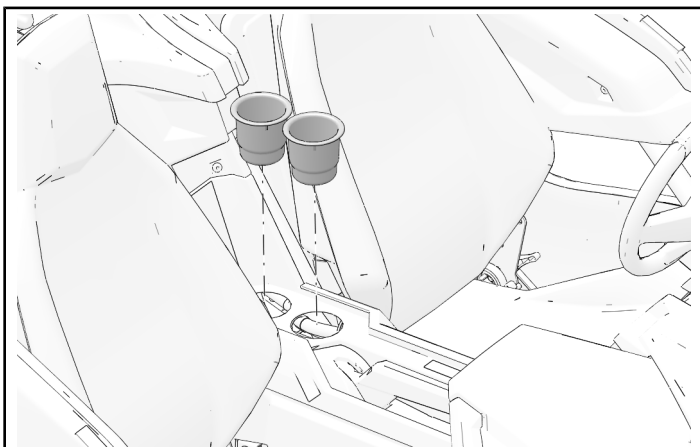
- Join connector 5D to chassis electrical harness and connector 5A to brake light. Route antenna harness ⑤ to battery compartment. Secure with cable ties ⑧, as needed.



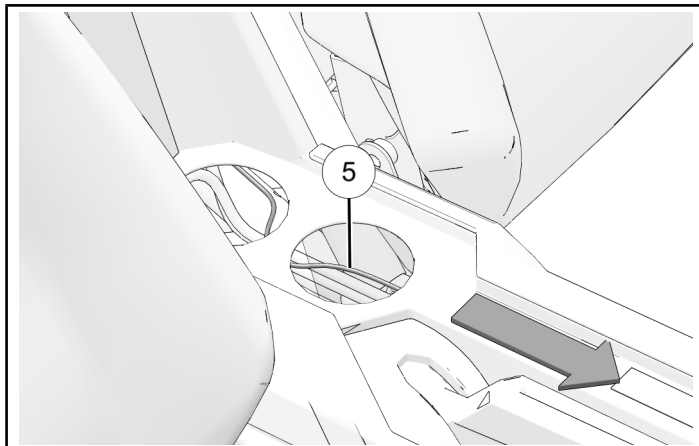
- Route antenna harness through battery compartment toward front of vehicle along transmission tunnel. Secure with cable ties ⑧, as needed.



- Remove two cup holders to access transmission tunnel.



- Route antenna harness ⑤ along transmission tunnel to dashboard cavity. Secure with cable ties ⑧, as needed.



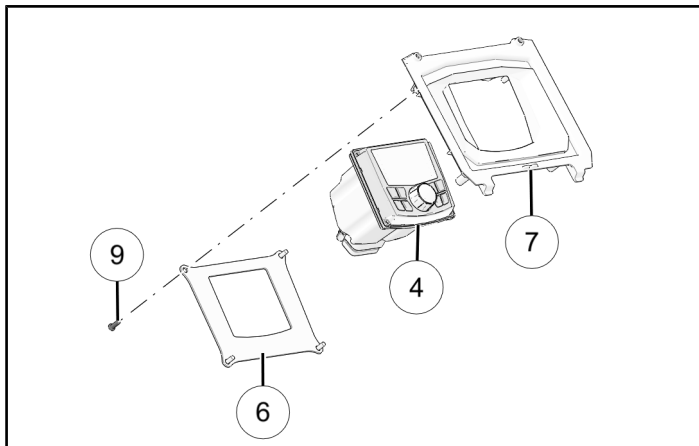
- Reinstall cup holders.

### HEAD UNIT INSTALLATION

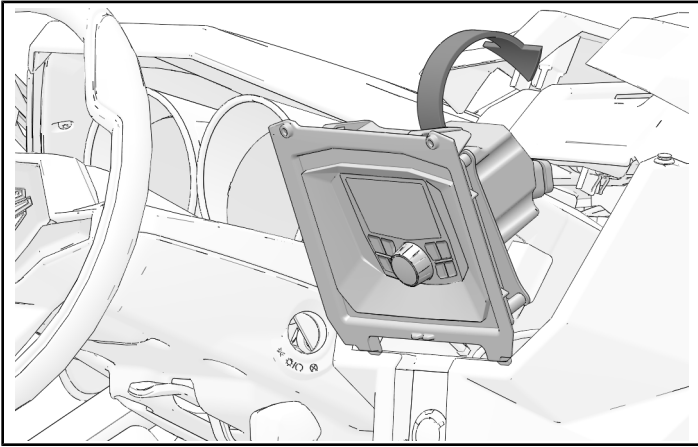
- Position PMX audio ④ between mount bracket ⑥ and dashboard mount ⑦. Install with four mounting fasteners ⑨.

#### TORQUE

PMX Mounting Fasteners ⑨:  
**30 in-lbs (3 N·m)**



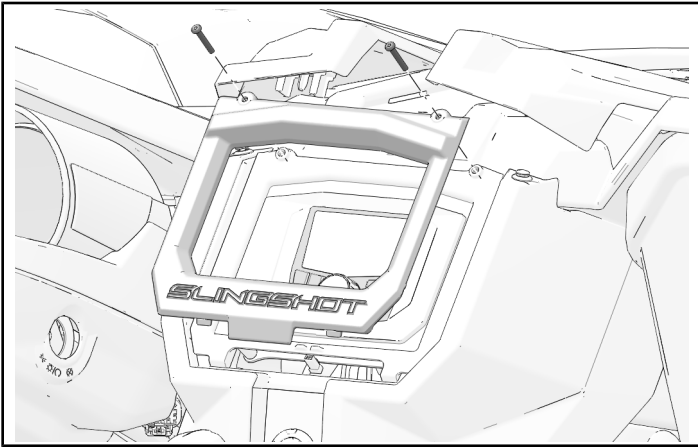
- Position PMX assembly at edge of dashboard cavity. Join antenna harness connector 5C and power connector 3D to rear of PMX audio. Tilt assembly into dashboard until top snaps into place.



- Install bezel over PMX audio with two retained bezel fasteners.

#### TORQUE

Bezel Fasteners:  
**18 in-lbs (2 N·m)**



## VEHICLE REASSEMBLY

### GENERAL

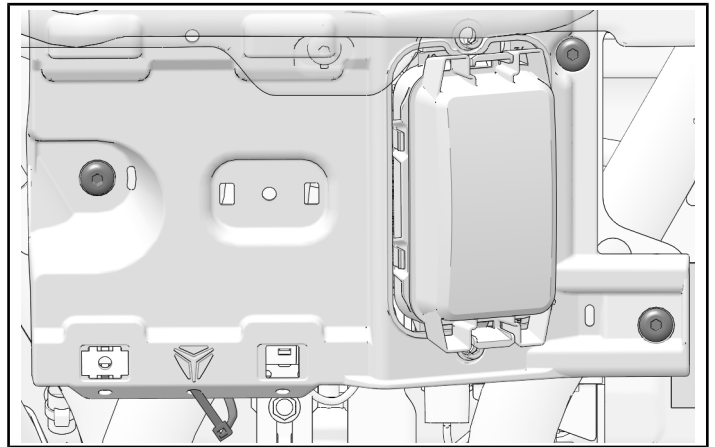
- Verify all audio components operate properly before proceeding with reassembling vehicle.

### ELECTRONIC CONTROL MODULE (ECM) INSTALLATION

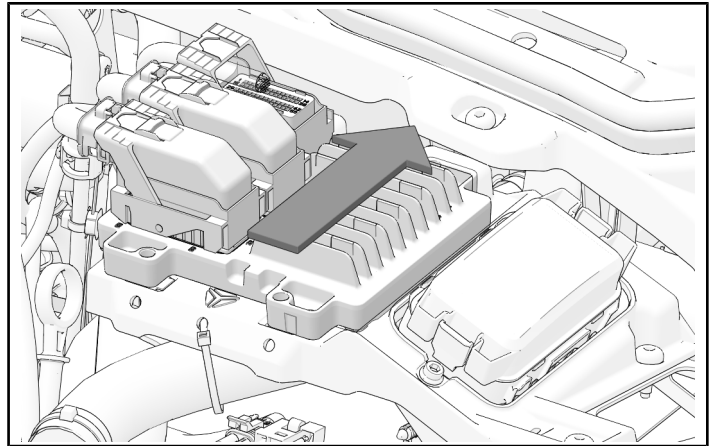
- Reinstall chassis mount with three retained mount fasteners.

#### TORQUE

Chassis Mount Fasteners:  
**36 in-lbs (4 N·m)**



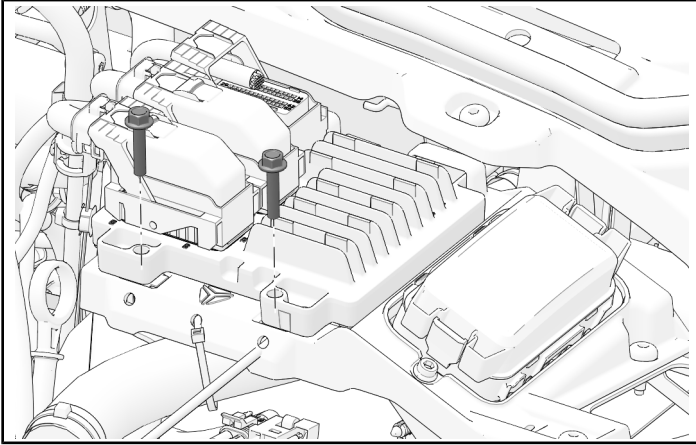
- Slide ECM mount into chassis mount.



3. Install ECM mount with two ECM mount fasteners.

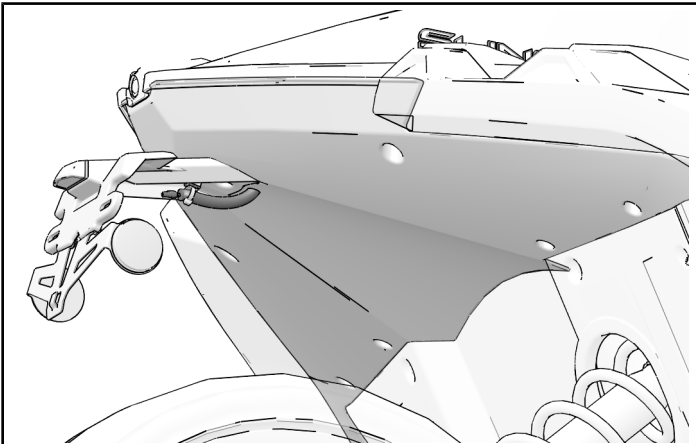
**TORQUE**

ECM Mount Fasteners:  
**84 in-lbs (9 N·m)**



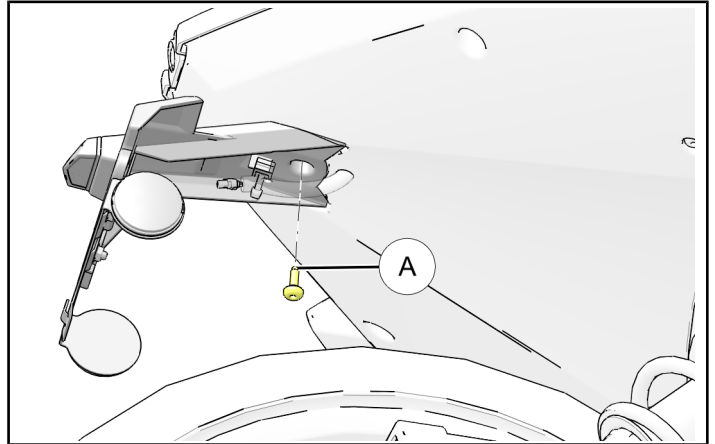
**REAR DECK PANEL INSTALLATION**

1. Position underside rear deck panel onto vehicle. Ensure license plate light chassis harness passes through panel before continuing installation.



2. Begin securing underside rear deck panel with one screw (A).

**Do not torque one screw (A) at this time.**



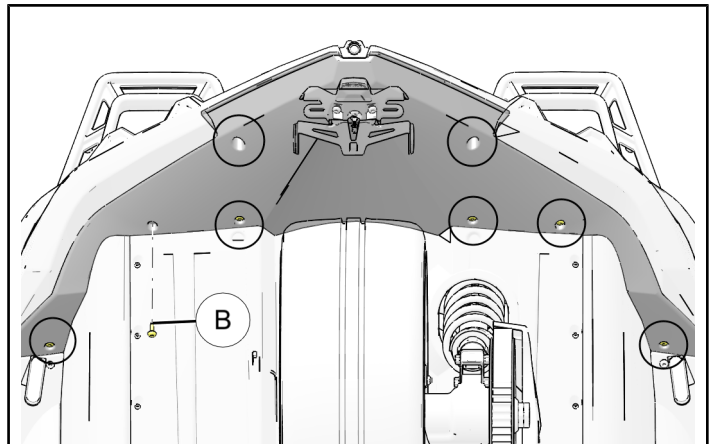
3. Fully secure underside rear deck panel to vehicle with eight screws (B).

**TORQUE**

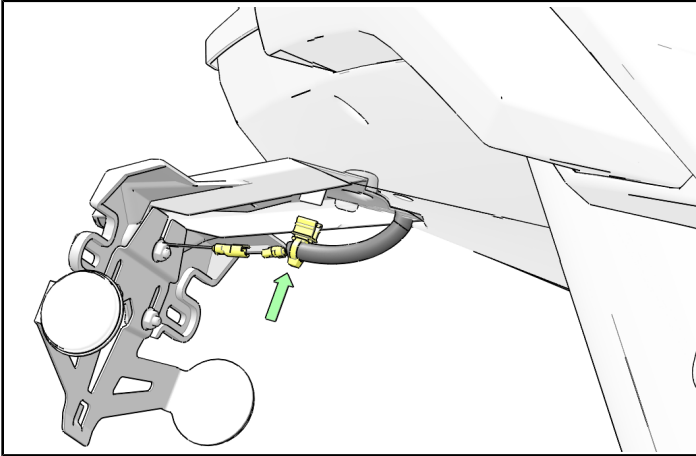
Rear Deck Panel Fasteners (B):  
**65 in. lbs. (7 Nm)**

**TORQUE**

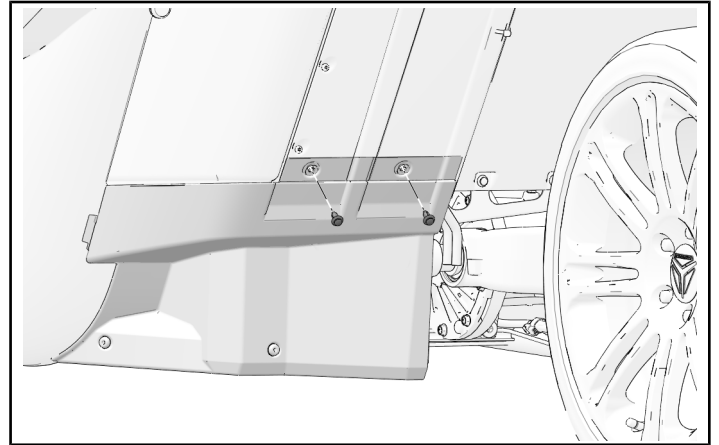
License Plate Bracket Fastener (A):  
**65 in. lbs. (7 Nm)**



4. Connect license plate to license plate light chassis harness. Secure license plate light chassis harness to license plate mount with edge routing clip.



2. Install two push-pin rivets to complete battery cover installation.

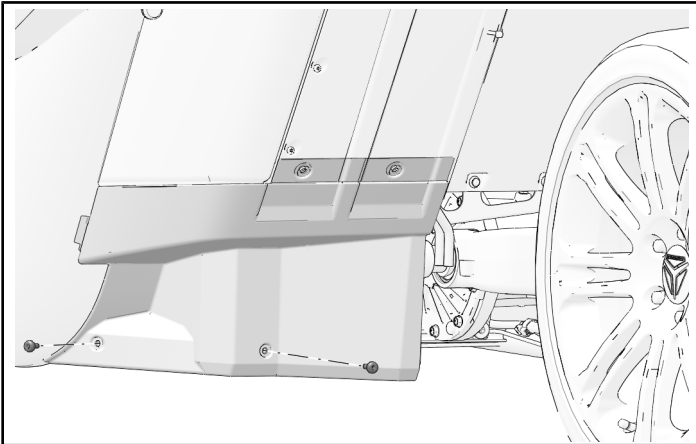


### **MODEL YEAR 2015-2019 BATTERY ACCESS COVER INSTALLATION**

1. Install battery access cover with two retained battery cover fasteners. Hand-thread each screw to prevent damage to threads.

#### **TORQUE**

Battery Cover Fasteners:  
**36 in-lbs (4 N·m)**



### **FEEDBACK FORM**

A feedback form has been created for the installer to provide any comments, questions or concerns about the installation instructions. The form is viewable on mobile devices by scanning the QR code or by clicking [HERE](#) if viewing on a PC.

