

# TITAN PIDD INSTALL KIT



**P/N 2883844**

## APPLICATION

Verify accessory fitment at [Polaris.com](http://Polaris.com).

## BEFORE YOU BEGIN

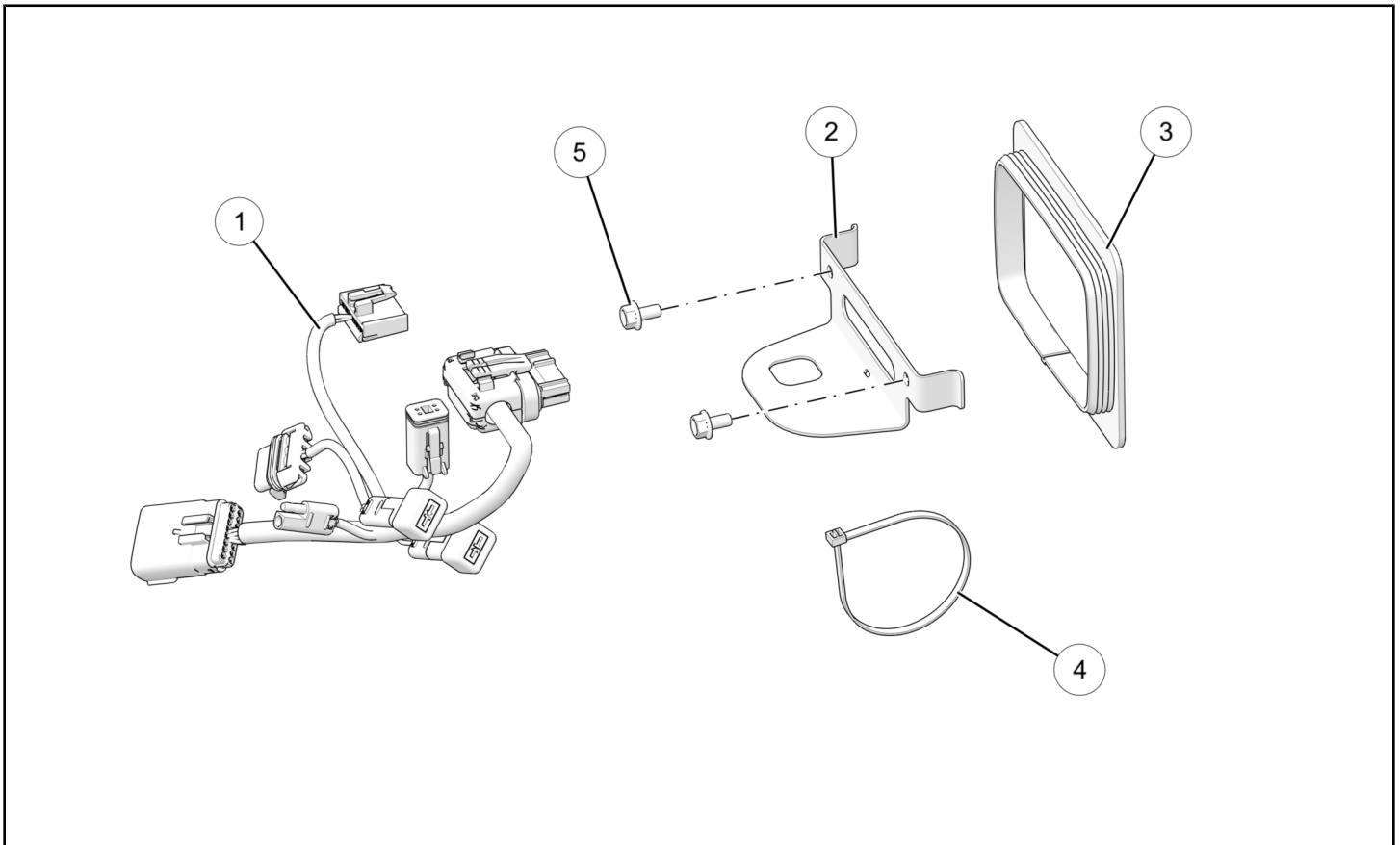
Read these instructions and check to be sure all parts and tools are accounted for. Please retain these installation instructions for future reference and parts ordering information.

## KIT CONTENTS

Full installation of this kit may also require the following additional parts (sold separately):

- Polaris® Interactive Digital Display, PN 2881554

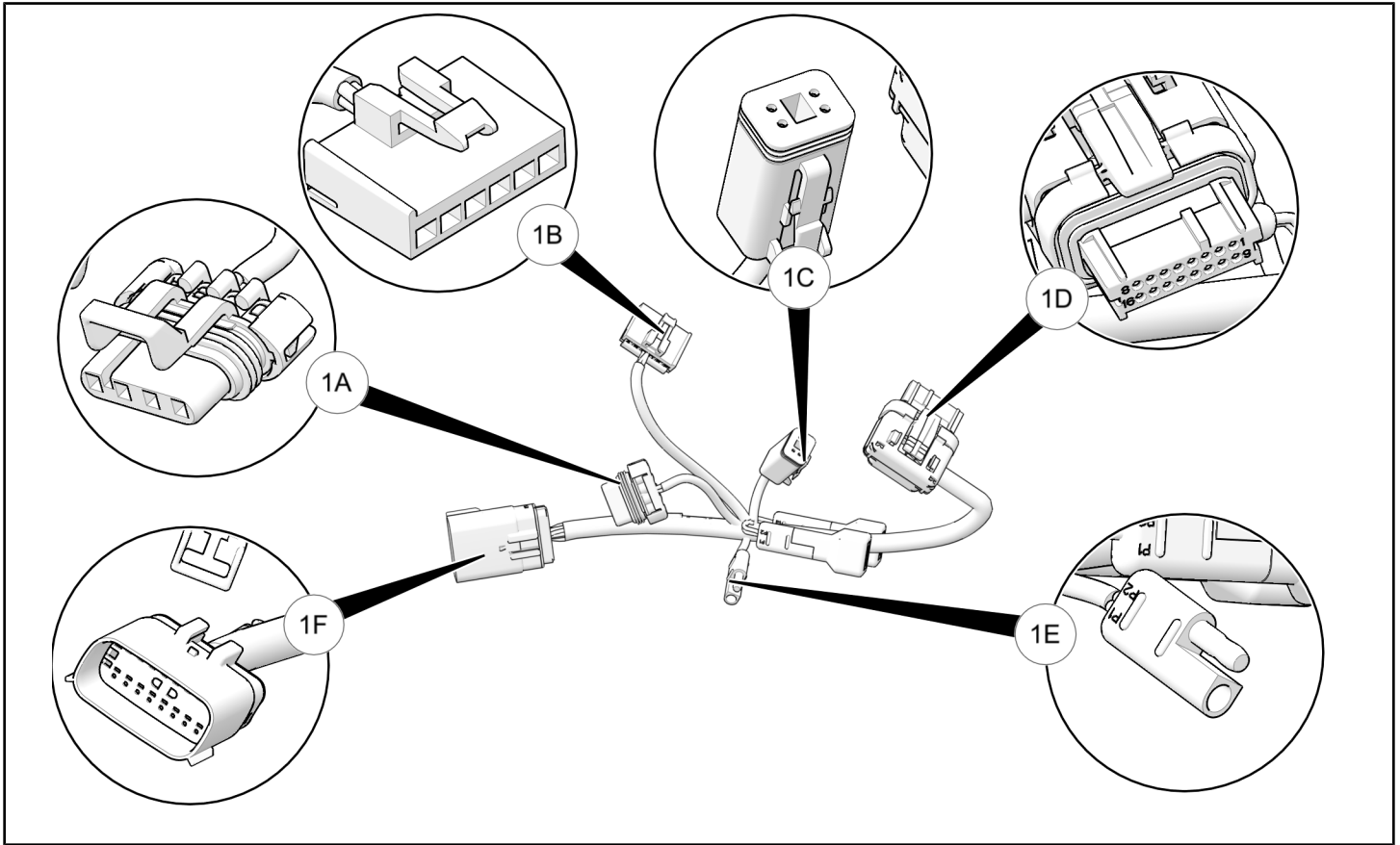
This Kit includes:



REF	QTY	PART DESCRIPTION	PART NUMBER
1	1	Premium Hood Harness	2413771
2	1	GPS Bracket	5262033
3	1	Rubber Mount	5415138
4	1	Cable Tie	7080492
5	1	Screw - M6 X 1.0 X 12	7519145
	1	Instructions	9929084

## HARNESS DETAIL

### Premium Hood Harness: ①



REF	CONNECTS TO	WIRE COLOR*	PIN QTY/ GENDER*
1A	LED Headlight	-	-
1B	Ignition Switch	-	-
1C	GPS Puck	-	-
1D	Digital Display	-	-
1E	Optional Accessory Power	Brown Red/white	Male Female
1F	Chassis Harness	-	-

\* As required for identification

### TOOLS REQUIRED

- Safety Glasses
- Pliers, Side Cutting
- Wrench Set, Metric

### CONSUMABLES REQUIRED

- None

## IMPORTANT

Your Titan PIDD Install Kit is exclusively designed for your vehicle. Please read the installation instructions thoroughly before beginning. Installation is easier if the vehicle is clean and free of debris. For your safety, and to ensure a satisfactory installation, perform all installation steps correctly in the sequence shown.

## ASSEMBLY TIME

Approximately 18 minutes

### NOTE

Additional time may be required for optional steps, or to accommodate other installed accessories.

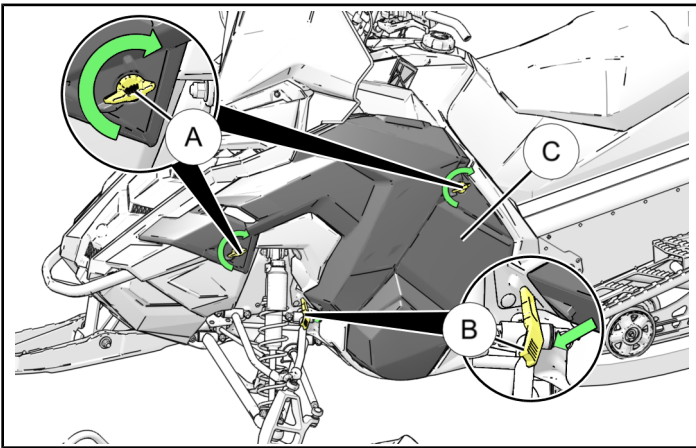
## INSTALLATION INSTRUCTIONS

### CAUTION

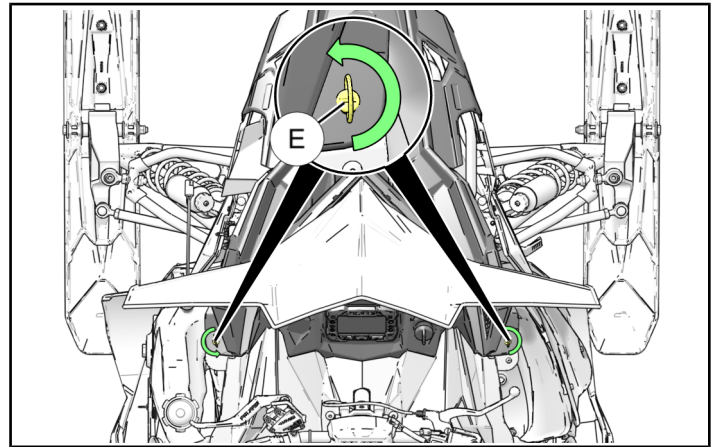
**BEFORE STARTING INSTALLATION**, always ensure vehicle is on a flat stable surface and is properly secured to avoid accidental tipping or other movement to prevent personal injury and/or damage to equipment. If applicable, turn key to "OFF" position and remove from vehicle.

### 1. Remove Hood and Side Panels.

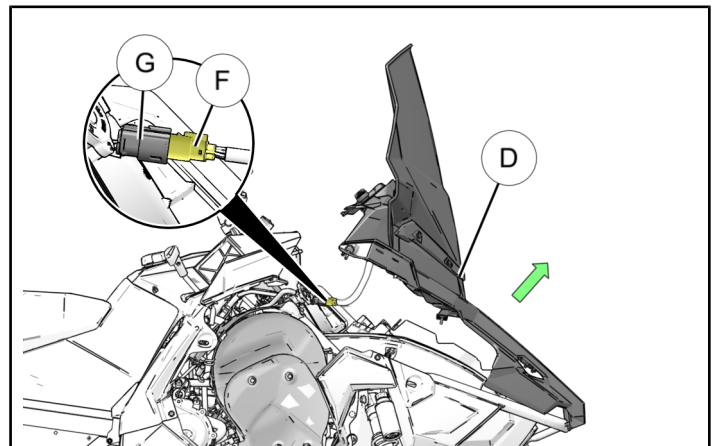
- a. Remove side panel **C** by rotating the two side panel latches **A** 90° in a clockwise direction to unlatch. Then pull outward on the rubber strap **B** on the front lower portion of the panel as indicated to disengage the strap from the molded strap hook on the panel. Pull out on upper portion of side panel to remove. Repeat for opposite side.



- b. Next, remove the hood assembly **D** by first rotating the two hood latch fasteners **E** 180° counterclockwise.

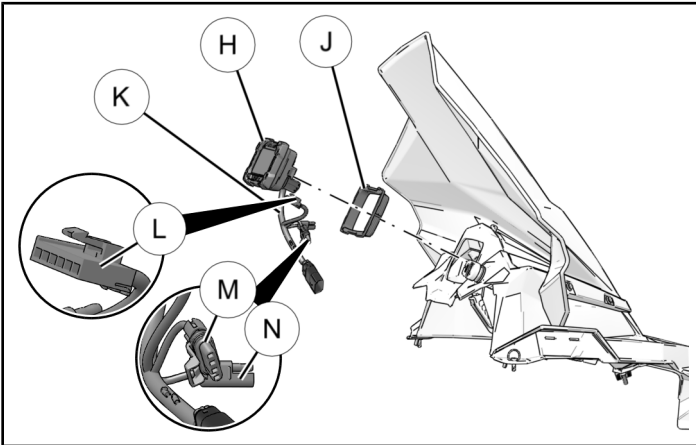


Slightly lift the rear of the hood assembly to gain access to the main hood harness connector **F** and disconnect from main chassis harness connector **G** and remove hood.



## 2. Remove Digital Display.

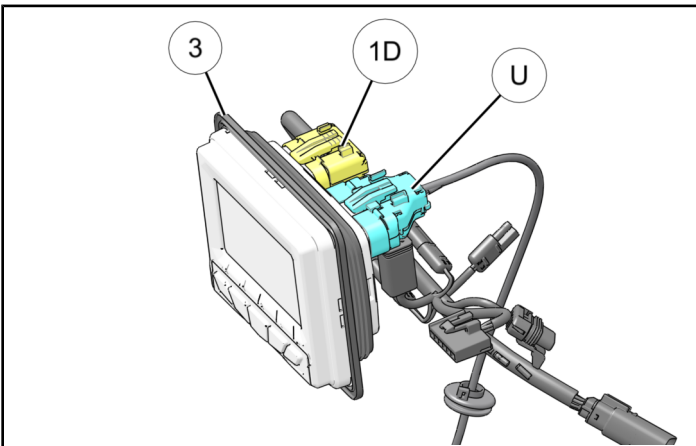
- a. To remove display, first disconnect the headlight connection (M), optional 12v power accessory connection (N) (if applicable), and ignition switch connection (L).



- b. Next, gently push/pull the display (H) and rubber mounting grommet (J) from the hood while guiding the display harness (K) out through the mounting hole. The OEM display and harness will not be used while the Polaris Interactive Digital Display 2.0 is installed.

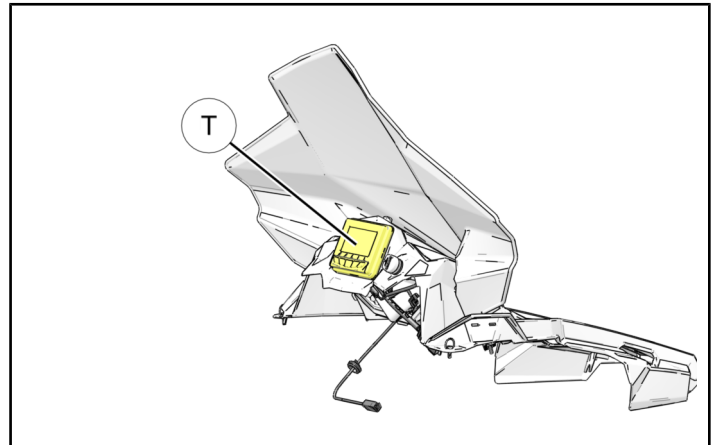
## 3. Install Polaris® Interactive Digital Display 2.0. (Kit PN 2881554 - Sold Separately)

- a. Place rubber mounting grommet (3) over display until it is fully seated.
- b. Connect the digital display connector (1D) of the premium hood harness (1) to the corresponding port on the back of the digital display as shown.

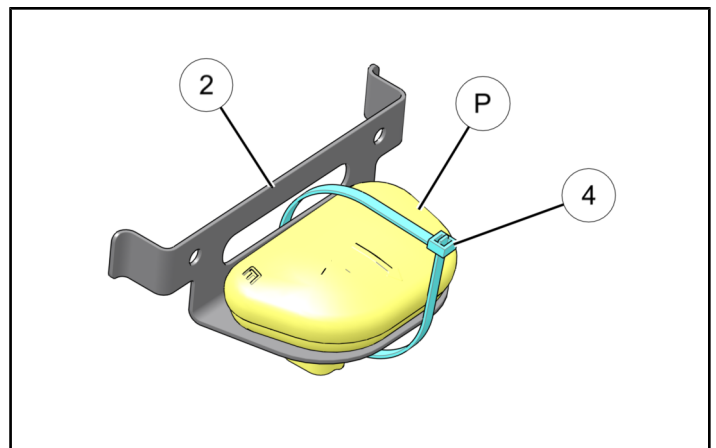


- c. Connect the USB harness (U) that came with the PIDD 2.0 Kit (PN 2881554) to the corresponding port on the back of the digital display as shown.

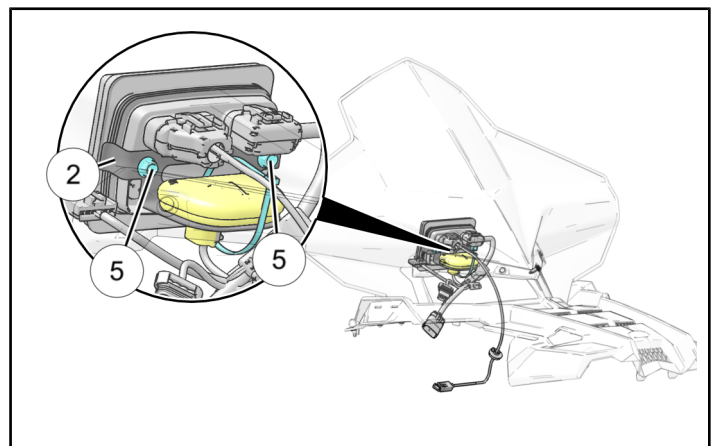
- d. Next route the premium hood harness along with the USB harness through the PIDD mounting hole in hood and press the PIDD assembly (T) firmly into position until it is fully seated against the hood.



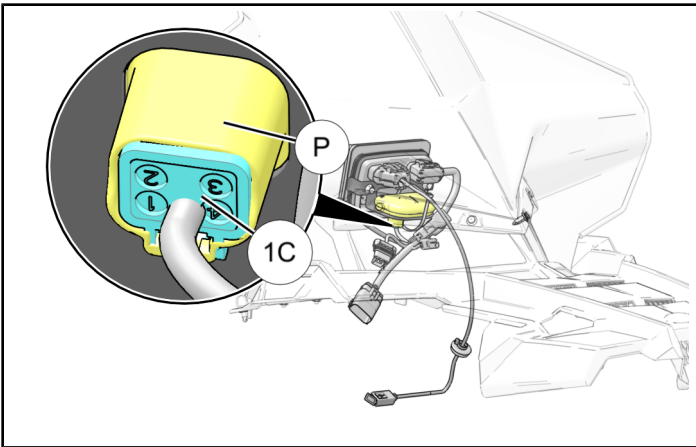
- e. Install GPS puck (P) that was provided with your PIDD 2.0 kit onto the mounting bracket (2). Use provided cable tie (4) to secure into position.



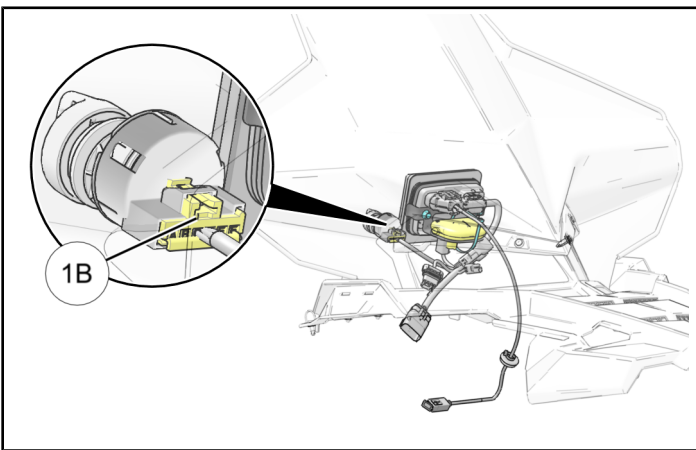
- f. Place mounting bracket (2) with GPS puck into position on the back side of the PIDD as shown and secure with provided fasteners (5). Tighten until snug being sure not to overtighten.



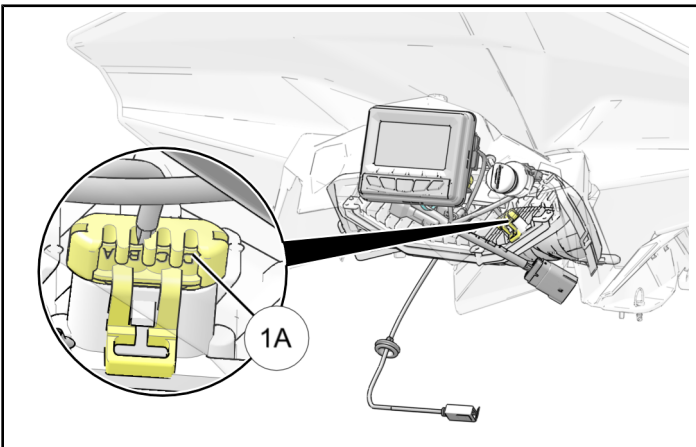
g. Connect GPS connector (1C) to GPS Puck (P).



h. Connect ignition switch connector (1B) to ignition switch as shown.



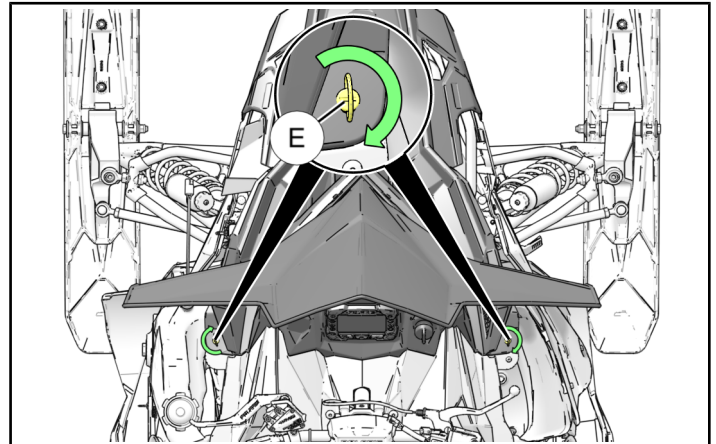
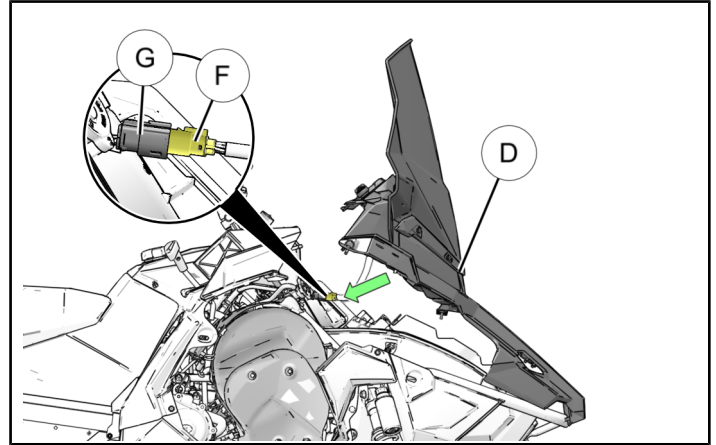
i. Connect headlight connector (1A) as shown.



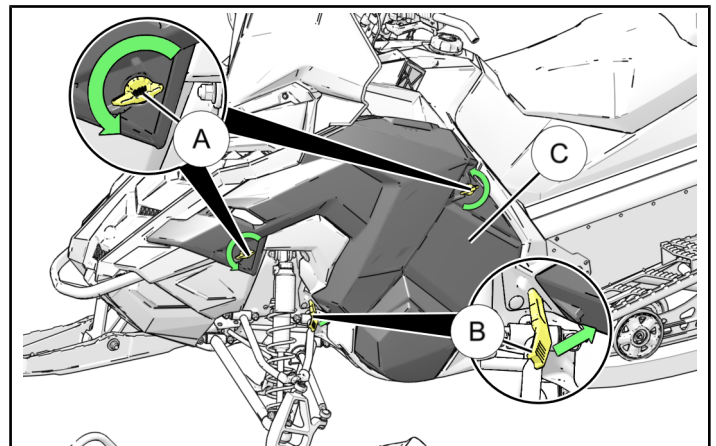
j. Cable tie remaining portion of the USB cable to the PIDD harness. Be sure to leave the USB connection readily accessible for use when updating the PIDD software. Refer to your PIDD user manual for details.

#### 4. Reinstall Side Panels and Hood.

a. Install hood being sure to connect the hood harness (F) and chassis harness (G) connection. Secure hood into position with hood latch fasteners (E).



b. After installing hood, install both side panels making sure all latches and rubber straps are fully secured.



#### 5. Verify Work.

a. Check to ensure all tools are accounted for and all steps have been completed.

## FEEDBACK FORM

A feedback form has been created for the installer to provide any comments, questions or concerns about the installation instructions. The form is viewable on mobile devices by scanning the QR code or by clicking [HERE](#) if viewing on a PC.

