

# EXTERNAL BOGIE WHEEL KIT



**P/N 2881955**

## APPLICATION

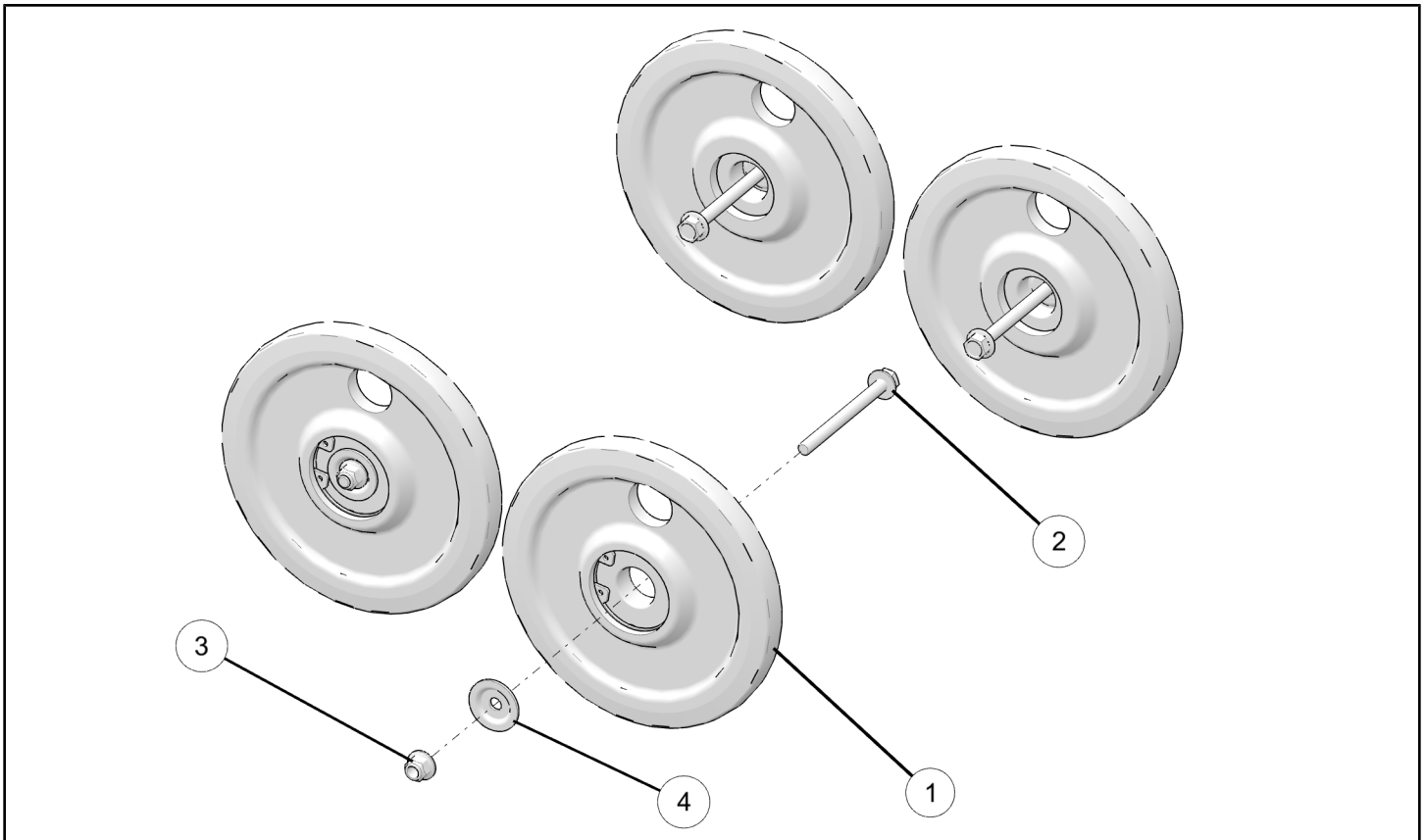
Axys Rush and Axys Switchback 137

## BEFORE YOU BEGIN

Read these instructions and check to be sure all parts and tools are accounted for. Please retain these installation instructions for future reference and parts ordering information.

## KIT CONTENTS

This Kit includes:



REF	QTY	PART DESCRIPTION	PART NUMBER
1	4	Bogie Wheel Assembly	1590457
2	4	Screw, Hex Flange - M6 X 1.0 X 70	7519908
3	4	Nut - M6 X 1.0	7547339
4	4	Washer - M6	7556799
	1	Instructions	9927066

## TOOLS REQUIRED

- 10mm Socket
- Ratchet Wrench
- 10mm Wrench
- Safety glasses

## IMPORTANT

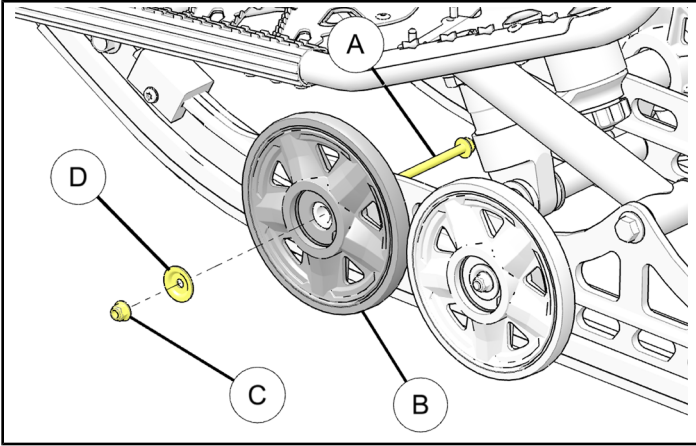
Your EXTERNAL BOGIE WHEEL KIT is exclusively designed for your vehicle. Please read the installation instructions thoroughly before beginning. Installation is easier if the vehicle is clean and free of debris. For your safety, and to ensure a satisfactory installation, perform all installation steps correctly in the sequence shown.

## ASSEMBLY TIME

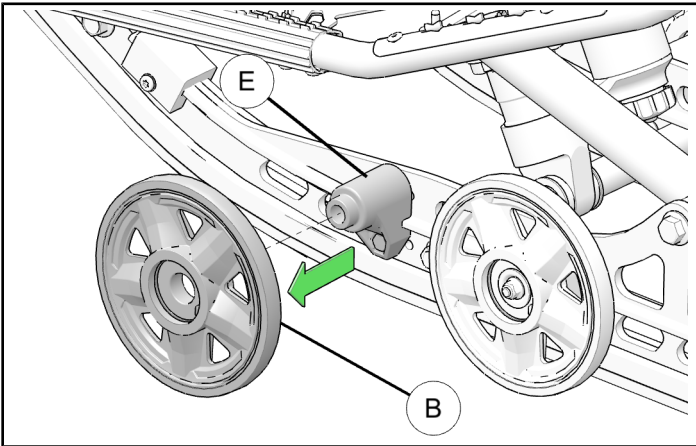
Approximately 15 minutes

## INSTALLATION INSTRUCTIONS

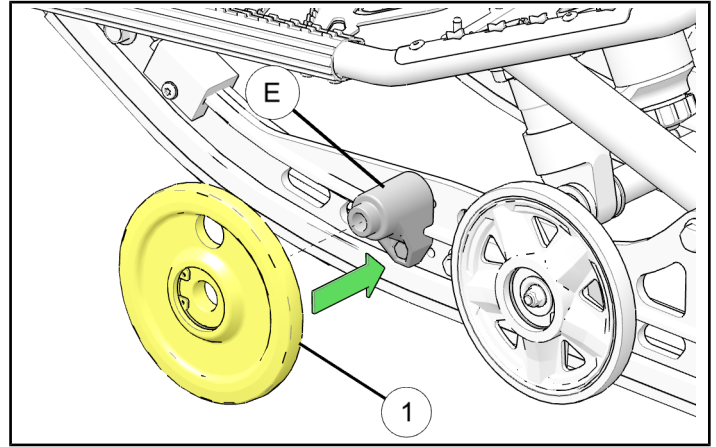
1. Lift the rear of the sled with a hoist or track stand.
2. Using the 10mm socket and wrench remove the upper screw (A) that goes through the center of the wheel (B). Remove nut (C) and washer (D).



3. Remove stock wheel (B) from wheel mount (E).



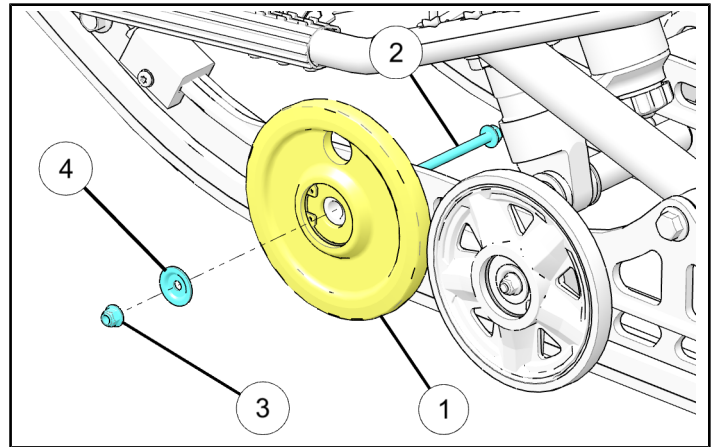
4. Mount new bogie wheel ① on wheel mount (E).



5. Install screw ② with washer ④ and nut ③ on new wheel. Note bolt and washer orientation. Torque nut ③ to specification.

### TORQUE

10 ft. lbs. (13.5 Nm)



6. Repeat Steps 2-5 for each external wheel mounting.