

# TITAN™ 4 WHEEL LOW SNOW KIT



**P/N 2882802**

## APPLICATION

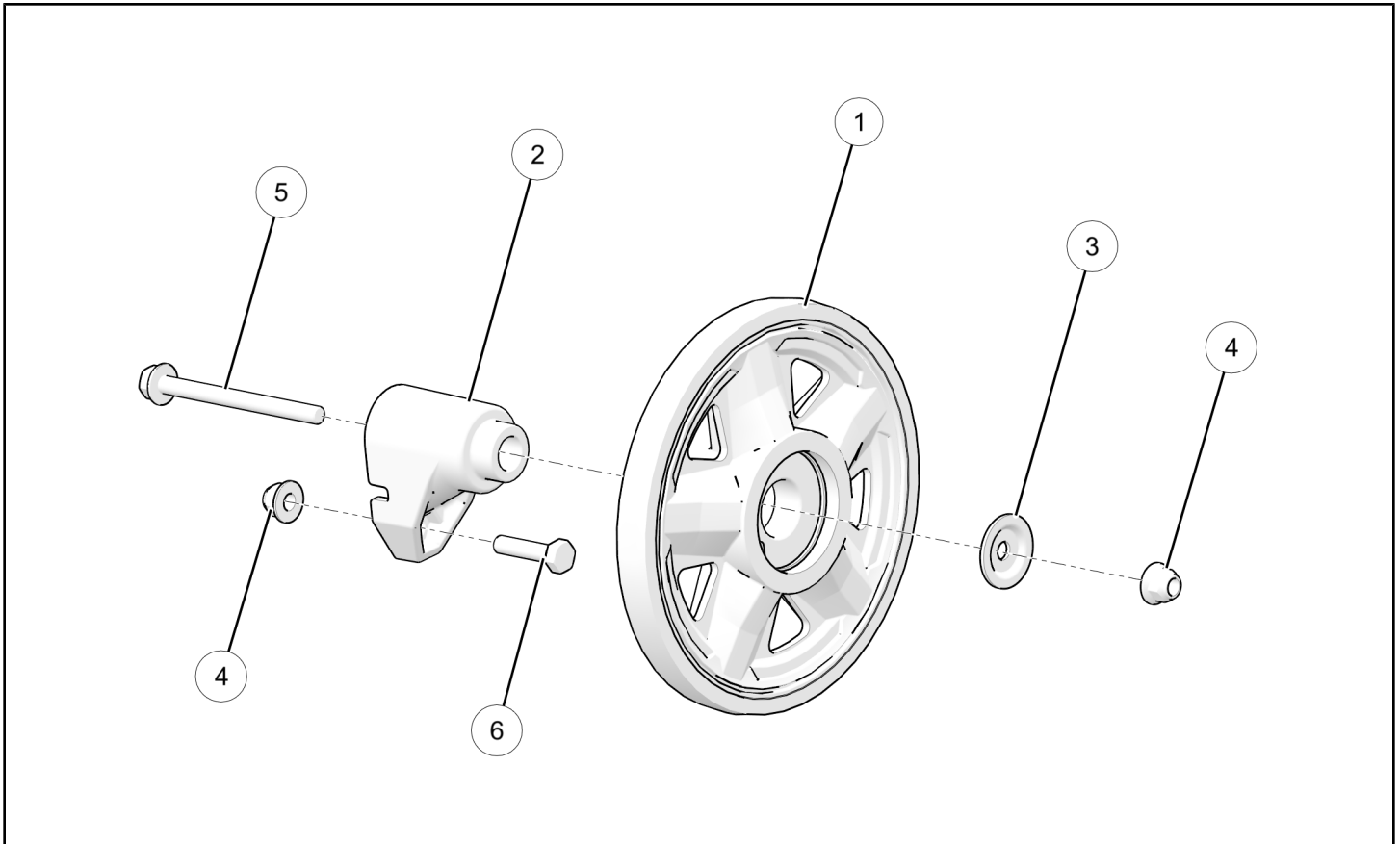
Verify accessory fitment at [Polaris.com](http://Polaris.com).

## BEFORE YOU BEGIN

Read these instructions and check to be sure all parts and tools are accounted for. Please retain these installation instructions for future reference and parts ordering information.

## KIT CONTENTS

This Kit includes:



REF	QTY	PART DESCRIPTION	PART NUMBER
1	4	Wheel Assembly	1590511
2	4	Wheel Mount, Block	5632808
3	4	Washer, Offset - M6	7556799
4	8	Nut - M6 X 1.0	7547339
5	4	Screw - M6 X 1.0 X 70	7519908
6	4	Screw - M6 X 1.0 X 25	7517510
	1	Instructions	9927955

## TOOLS REQUIRED

- Safety Glasses
- Socket Set, Metric
- Wrench Set, Metric

## IMPORTANT

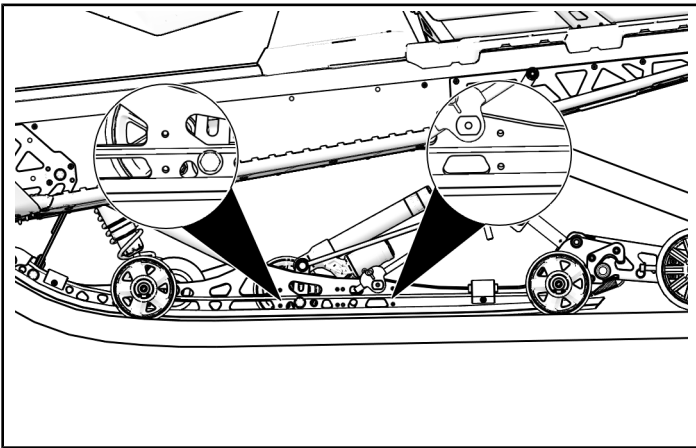
Your Titan™ 4 Wheel Low Snow Kit is exclusively designed for your vehicle. Please read the installation instructions thoroughly before beginning. Installation is easier if the vehicle is clean and free of debris. For your safety, and to ensure a satisfactory installation, perform all installation steps correctly in the sequence shown.

## ASSEMBLY TIME

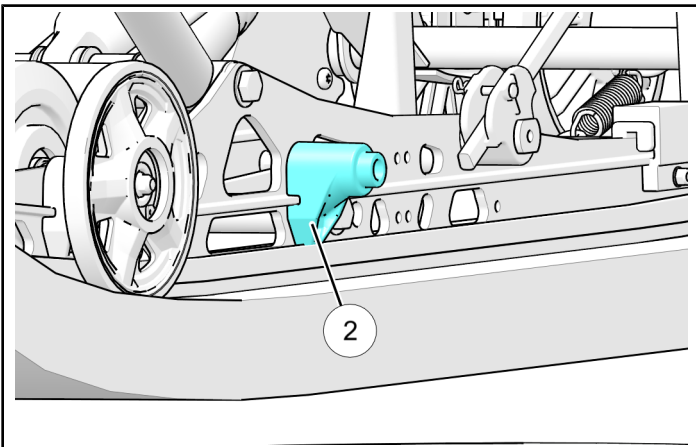
Approximately 18 minutes

## INSTALLATION INSTRUCTIONS

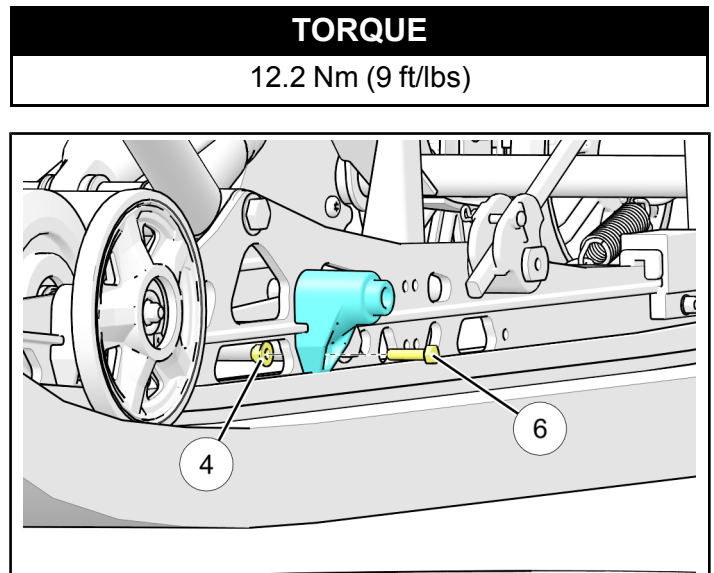
Your vehicle's slide rail comes from the factory with pre-drilled hole locations for the mounting of the wheel kit on each slide rail as seen in the image below.



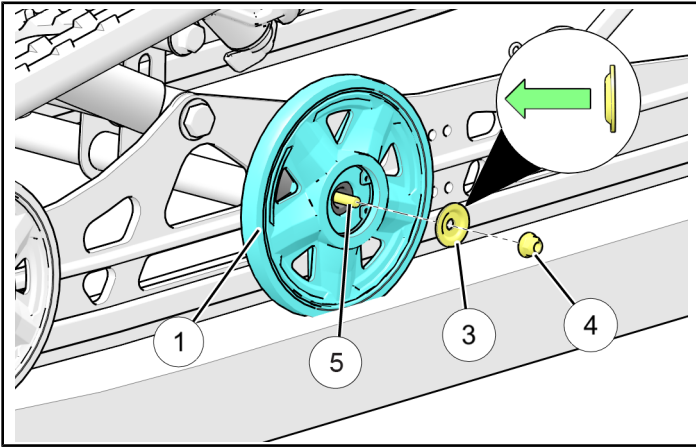
1. Place the wheel mount ② into the mounting location shown below and align with the mounting holes.



2. Next, insert the lower wheel mount bolt ⑥ from the outside as shown and fasten with the supplied locking nut ④. Torque to specification.



3. Place the wheel ① onto the wheel mount with the snap ring facing out as shown.



4. Install the wheel mounting bolt ⑤ in the direction shown so the nut will be on the outside.
5. Place the washer ③ in the direction indicated and nut ④ onto the bolt ⑤. Torque nut to the below specification.

#### TORQUE

13.6 Nm (10 ft/lbs)

6. Repeat the above steps for the 3 remaining wheel assemblies.
7. Check to ensure all tools are accounted for and all steps have been completed.

## FEEDBACK FORM

A feedback form has been created for the installer to provide any comments, questions or concerns about the installation instructions. The form is viewable on mobile devices by scanning the QR code or by clicking [HERE](#) if viewing on a PC.

#### FEEDBACK FORM

