

AXYS DEEP SNOW PREMIUM SHOCK KIT



P/N 2881059

APPLICATION

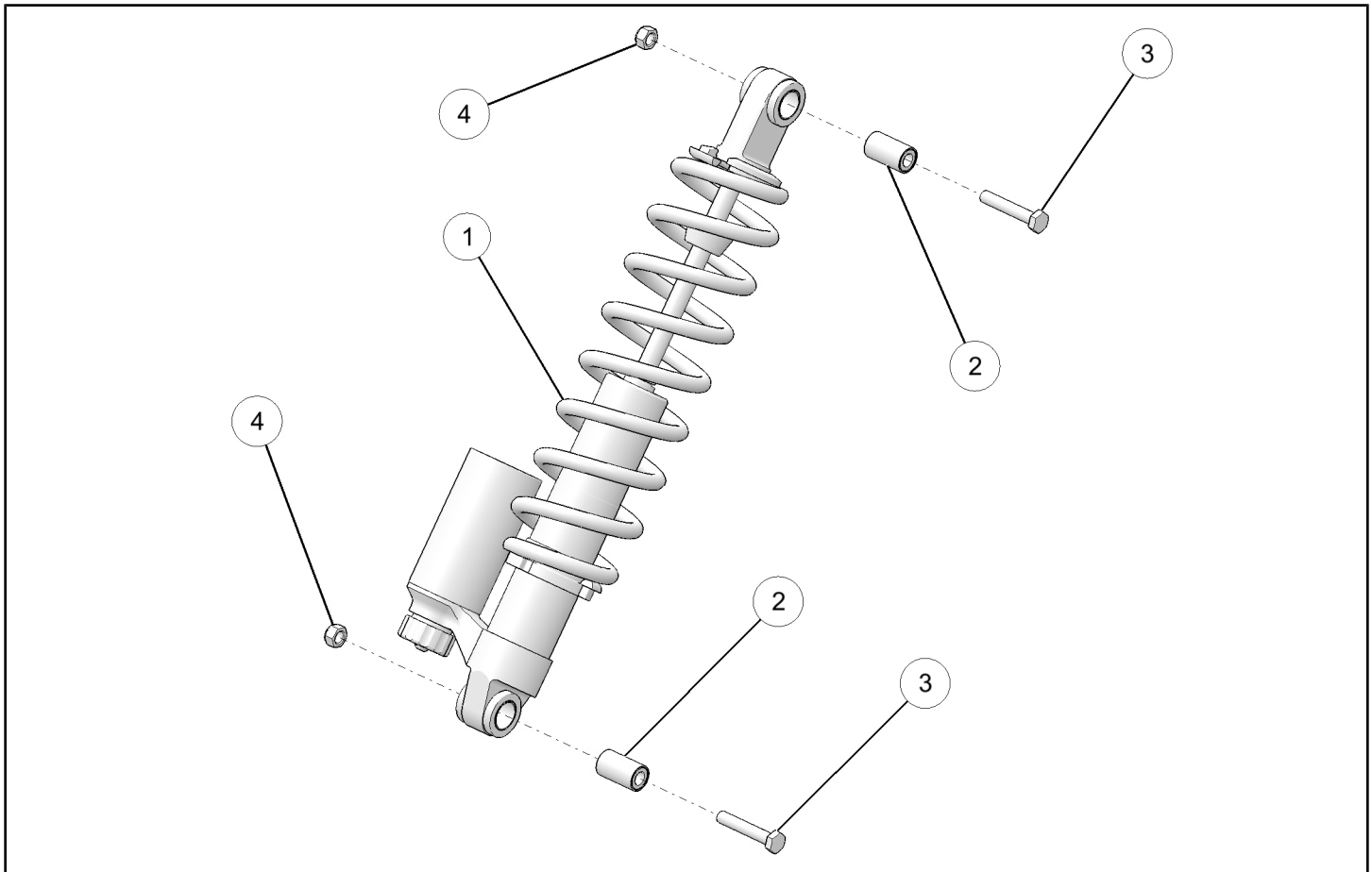
RMK RTS Shock

BEFORE YOU BEGIN

Read these instructions and check to be sure all parts and tools are accounted for. Please retain these installation instructions for future reference and parts ordering information.

KIT CONTENTS

This Kit includes:



REF	QTY	PART DESCRIPTION	PART NUMBER
1	1	Rear Track Shock Assembly	1543500
2	2	Bushing, Shock Assembly	1823987
3	2	Hex Head Screw - M8 X 1.25 X 45	7519097
4	2	Hex Nut - M8 X 1.25	7547480
	1	Instructions	9926735

TOOLS REQUIRED

- 13 mm Wrench or Socket
- Torque Wrench

- Floor Jack

IMPORTANT

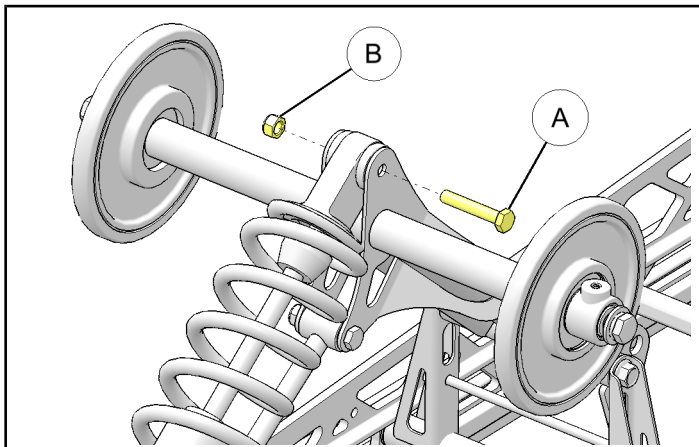
Your AXYS DEEP SNOW PREMIUM SHOCK KIT is exclusively designed for your vehicle. Please read the installation instructions thoroughly before beginning. Installation is easier if the vehicle is clean and free of debris. For your safety, and to ensure a satisfactory installation, perform all installation steps correctly in the sequence shown.

ASSEMBLY TIME

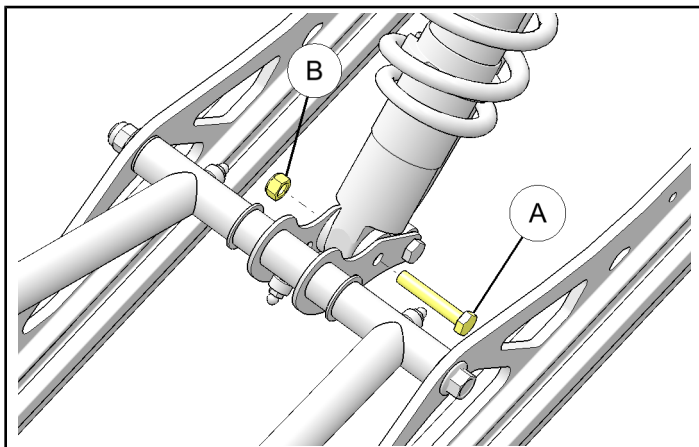
Approximately 20 minutes

INSTALLATION INSTRUCTIONS

1. Raise the rear of the snowmobile off of the ground using a dedicated track stand or similar device. Do not lift snowmobile by the rear bumper as doing so will compress the rear track shock.
2. Remove screw (A) and nut (B) securing shock to the rear torque arm.



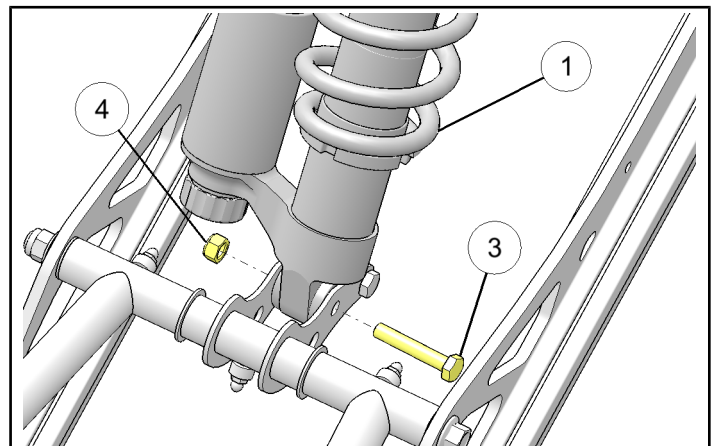
3. Remove screw (A) and nut (B) securing shock to the lower mount.



4. Install new shock assembly ① onto lower mount using screw ③ and nut ④. Torque to specification.

TORQUE

17 ft. lbs. (23 Nm)



5. Install shock assembly ① onto rear torque arm using screw ③ and nut ④. Torque to specification.

TORQUE

17 ft. lbs. (23 Nm)

