

TITAN™ TAIL LIGHT PROTECTOR KIT



P/N 2882809

APPLICATION

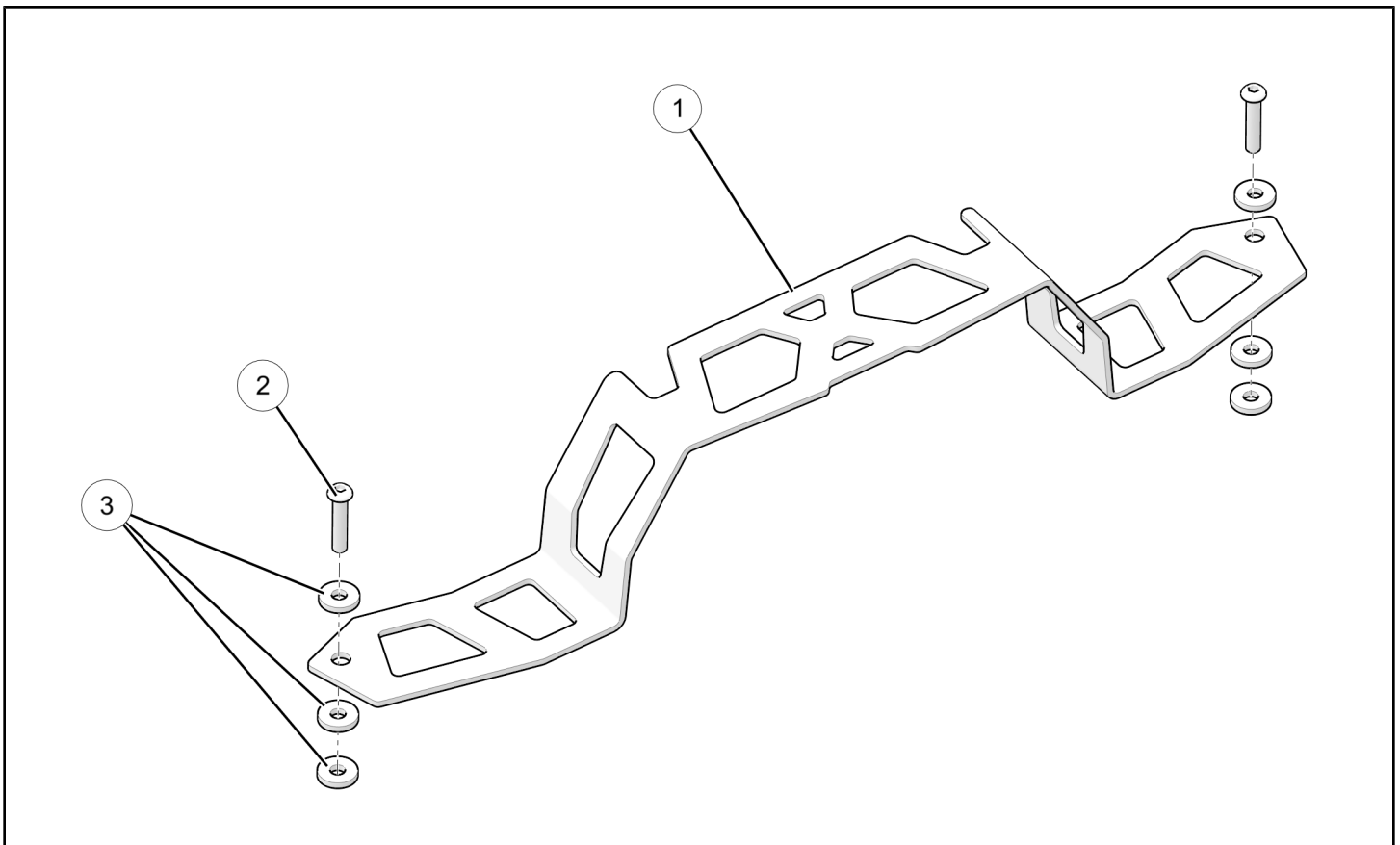
Verify accessory fitment at Polaris.com.

BEFORE YOU BEGIN

Read these instructions and check to be sure all parts and tools are accounted for. Please retain these installation instructions for future reference and parts ordering information.

KIT CONTENTS

This Kit includes:



REF	QTY	PART DESCRIPTION	PART NUMBER
1	1	Tail Light Guard	5264238
2	2	Screw - M6 X 1.0 X 30	7517885
3	6	Washer - M6 X 17 X 3	7556032
	1	Instructions	9927959

TOOLS REQUIRED

- Safety Glasses
- Socket Set, Hex Bit, Metric
- Socket Set, Torx® Bit

IMPORTANT

Your Titan™ Tail Light Protector Kit is exclusively designed for your vehicle. Please read the installation instructions thoroughly before beginning. Installation is easier if the vehicle is clean and free of debris. For your safety, and to ensure a satisfactory installation, perform all installation steps correctly in the sequence shown.

ASSEMBLY TIME

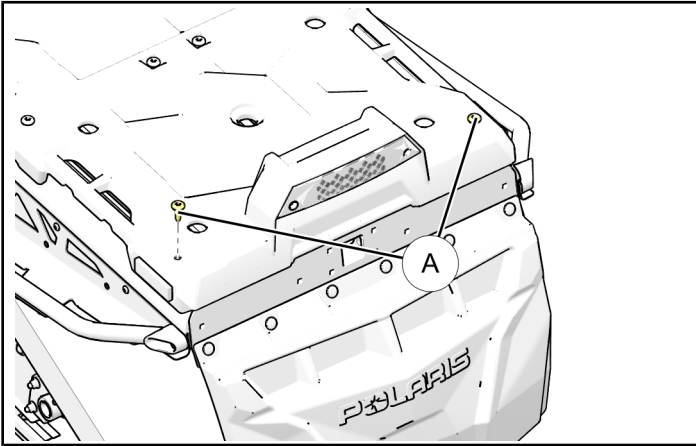
Approximately 12 minutes

NOTE

Additional time may be required for optional steps, or to accommodate other installed accessories.

INSTALLATION INSTRUCTIONS

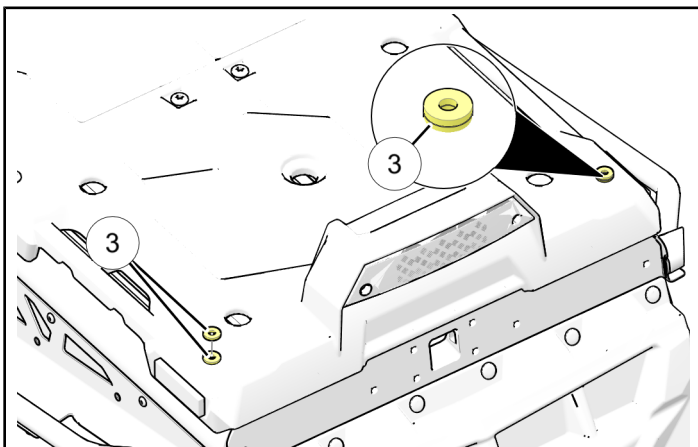
1. Remove the two fasteners (A) as shown below.



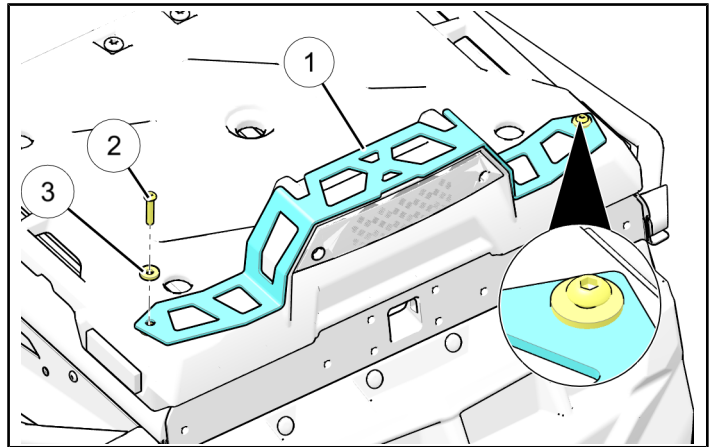
2. Place two of the supplied washers (3) on to the Titan Rear Cargo Platform over the mounting holes as shown.

NOTE

If using with the Titan Cargo Rack, PN 2882792, you will only use one washer underneath the Titan Tail Light Protector and on top of the Titan Rear Cargo Rack mounting tab.



3. Place the Titan Tail Light Protector into position and place one washer (3) on top of the Titan Tail Light Protector (1) over the mounting holes as shown.



4. Secure in place using the provided screws (2). Torque to specification.

TORQUE

12 Nm (9 ft/lbs)

FEEDBACK FORM

A feedback form has been created for the installer to provide any comments, questions or concerns about the installation instructions. The form is viewable on mobile devices by scanning the QR code or by clicking [HERE](#) if viewing on a PC.

