

# AXYS® ELITE PRO REAR BUMPER KIT



**P/N 2882926**

## APPLICATION

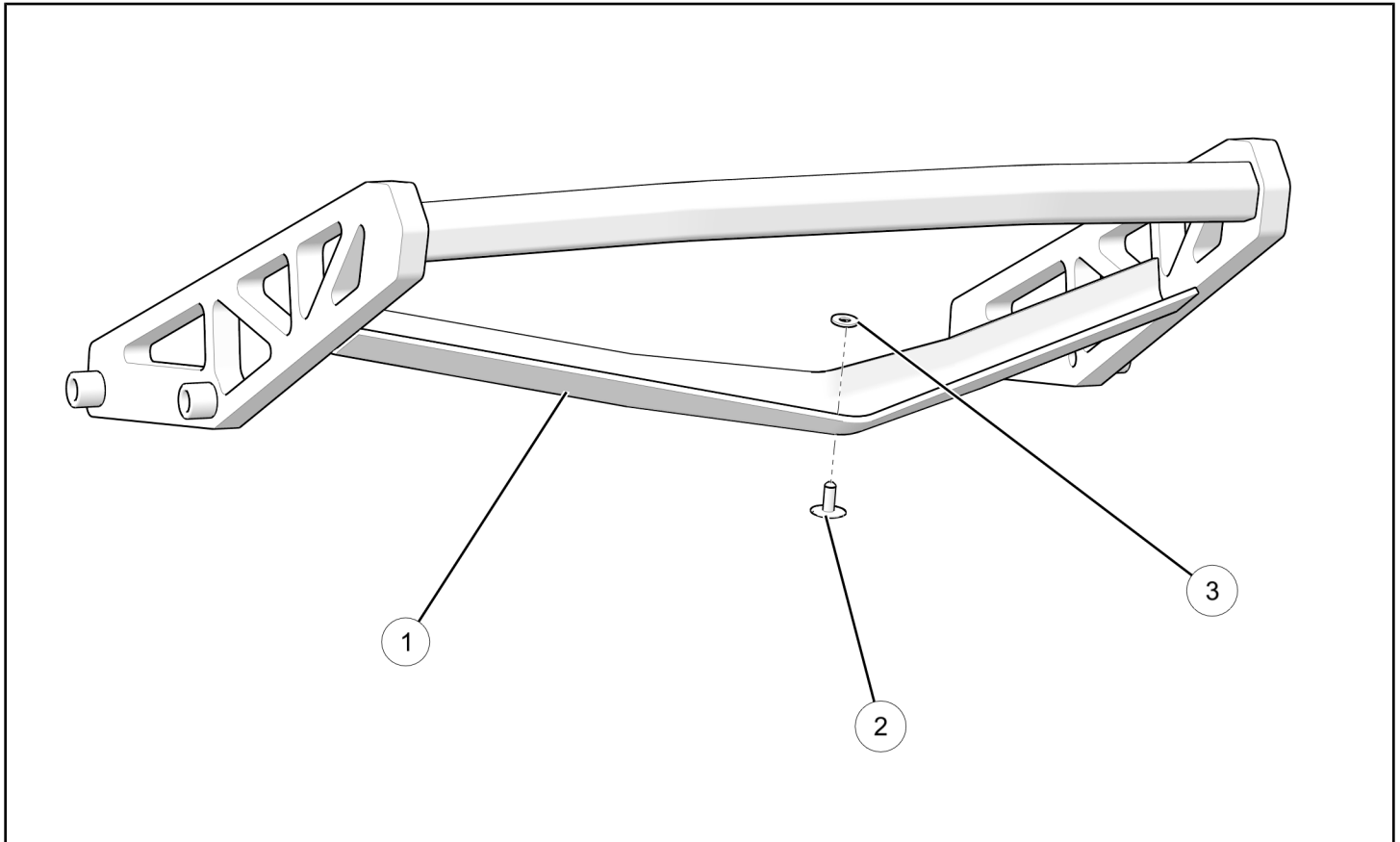
Verify accessory fitment at [Polaris.com](http://Polaris.com).

## BEFORE YOU BEGIN

Read these instructions and check to be sure all parts and tools are accounted for. Please retain these installation instructions for future reference and parts ordering information.

## KIT CONTENTS

This Kit includes:



REF	QTY	PART DESCRIPTION	PART NUMBER
1	1	Bumper - Rear	1023800
2	1	Rivet - 3/16"	7621467
3	1	Washer - Flat	7555746
	1	Instructions	9928529

## TOOLS REQUIRED

- Safety Glasses
- Drill
- Drill Bit: 3/16"
- Pop Rivet Puller
- Socket Set, Metric
- Torque Wrench

## IMPORTANT

Your AXYS® Elite Pro Rear Bumper Kit is exclusively designed for your vehicle. Please read the installation instructions thoroughly before beginning. Installation is easier if the vehicle is clean and free of debris. For your safety, and to ensure a satisfactory installation, perform all installation steps correctly in the sequence shown.

## ASSEMBLY TIME

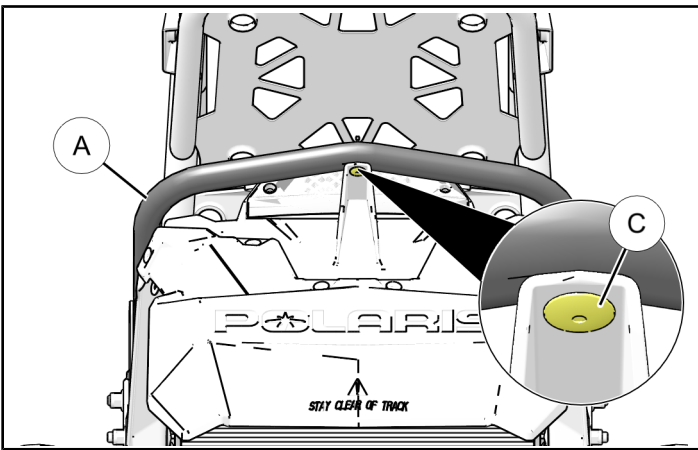
Approximately 18 minutes

### NOTE

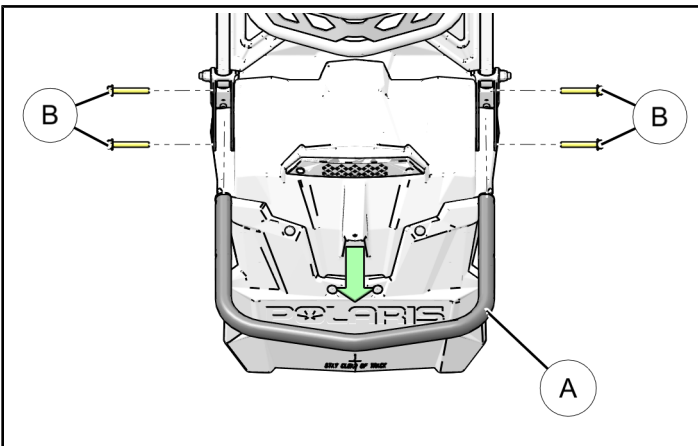
Additional time may be required for optional steps, or to accommodate other installed accessories.

## INSTALLATION INSTRUCTIONS

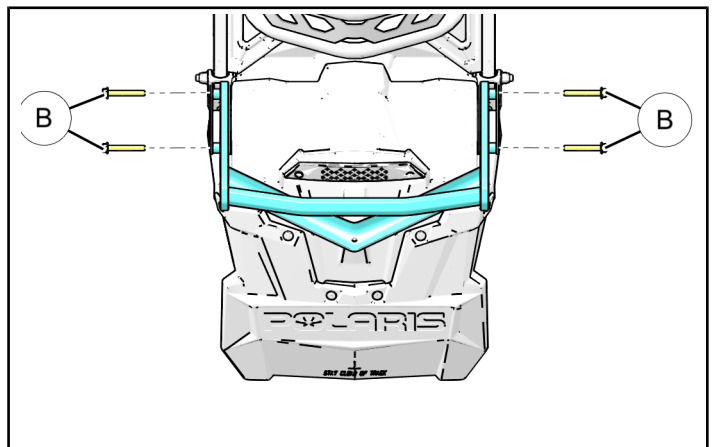
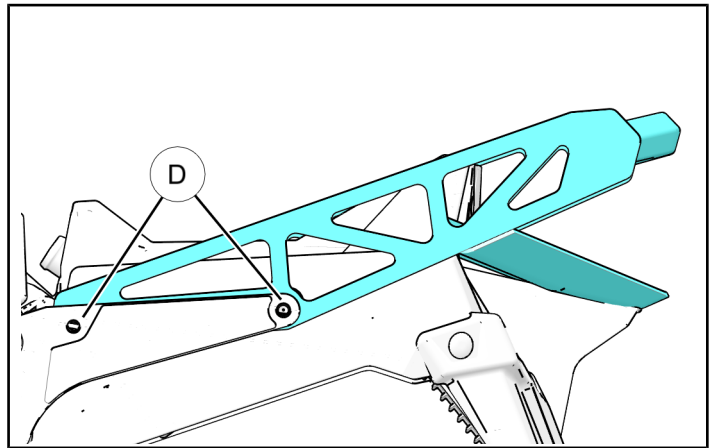
1. Remove stock rear bumper.
  - a. Drill out rivet ③ holding the snow flap assembly to the rear bumper ① using a drill and 3/16" drill bit.



- b. Next, remove four fasteners ② holding the rear bumper ① to the chassis and pull the bumper rearward and upward to remove.



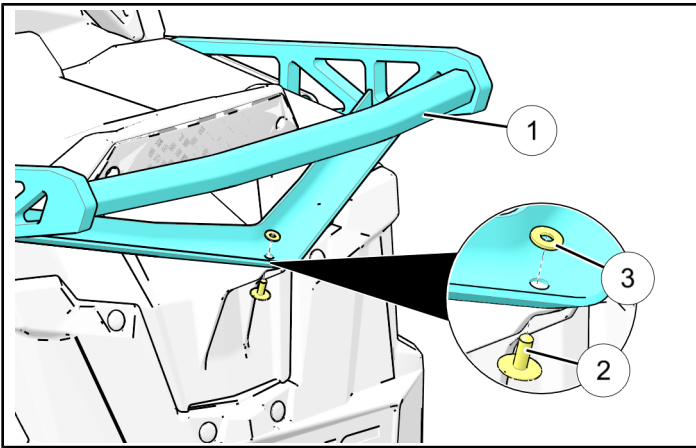
2. Install the AXYS Elite Pro Bumper.
  - a. Place bumper into position lining up the two mounting holes ④ on each side as shown. Reinstall the four bolts ② that were previously removed. Torque to specifications provided.



### TORQUE

17 Ft. Lbs (23 Nm)

- b. Using a pop rivet puller, insert the supplied rivet ② up through the snow flap assembly and rear bumper and place the provided washer ③ onto the rivet. Once in place, secure the rivet using the pop rivet puller.
3. Check to ensure all tools are accounted for and all steps have been completed.



## FEEDBACK FORM

A feedback form has been created for the installer to provide any comments, questions or concerns about the installation instructions. The form is viewable on mobile devices by scanning the QR code or by clicking [HERE](#) if viewing on a PC.

