

VOYAGEUR® 144 BRAKE LIGHT SUPPORT KIT

P/N 2883838



APPLICATION

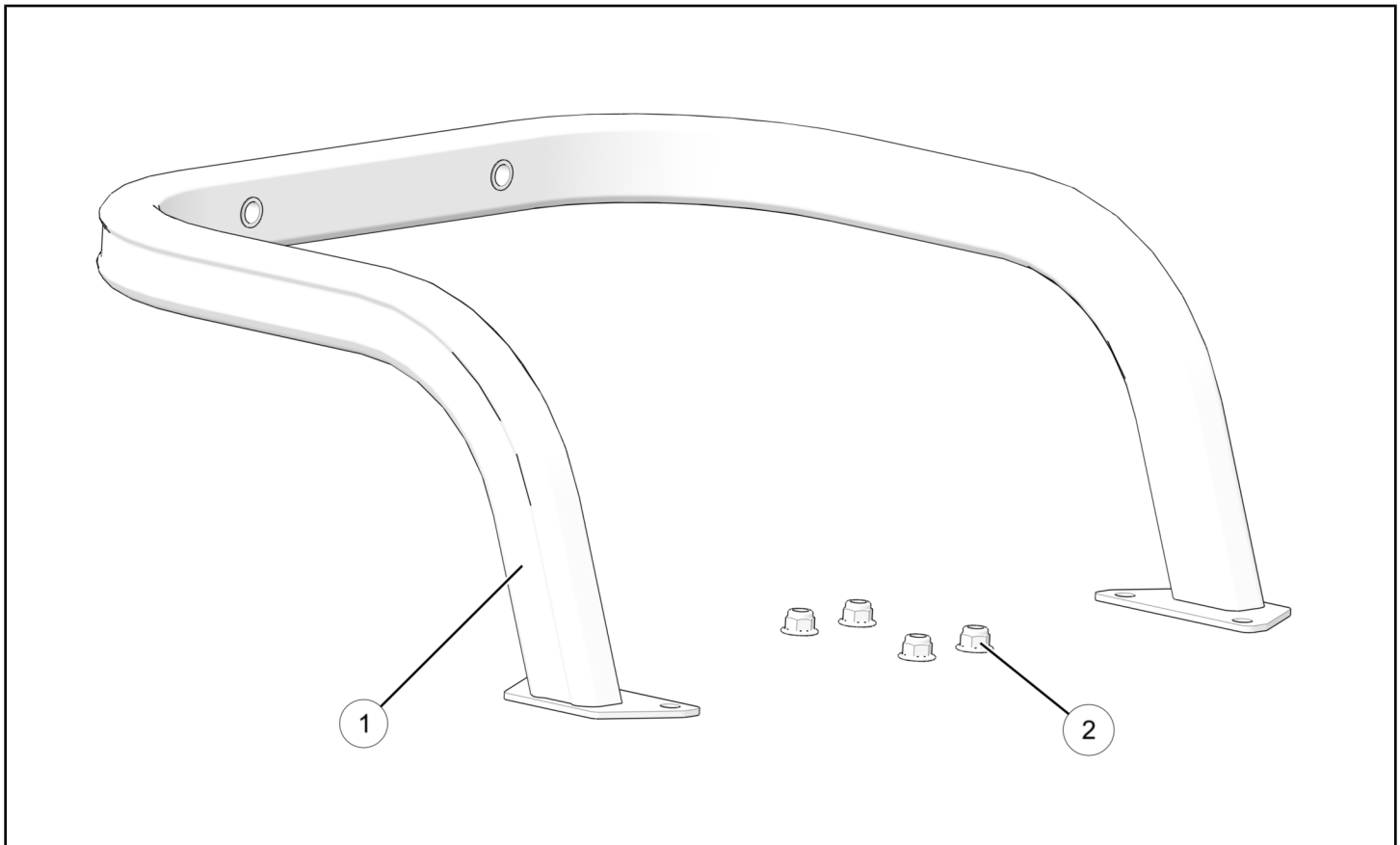
Verify accessory fitment at Polaris.com.

BEFORE YOU BEGIN

Read these instructions and check to be sure all parts and tools are accounted for. Please retain these installation instructions for future reference and parts ordering information.

KIT CONTENTS

This Kit includes:



REF	QTY	PART DESCRIPTION	PART NUMBER
1	1	Rear Rack Assembly	1024501
2	4	Lock Nut	7547487
	1	Instructions	9929058

TOOLS REQUIRED

- Safety Glasses
- Socket Set, Metric
- Socket Set, Torx® Bit
- Torque Wrench

CONSUMABLES REQUIRED

- Loctite® Threadlocker BLUE 242®

IMPORTANT

Your Voyageur® 144 Brake Light Support Kit is exclusively designed for your vehicle. Please read the installation instructions thoroughly before beginning. Installation is easier if the vehicle is clean and free of debris. For your safety, and to ensure a satisfactory installation, perform all installation steps correctly in the sequence shown.

ASSEMBLY TIME

Approximately 12 minutes

NOTE

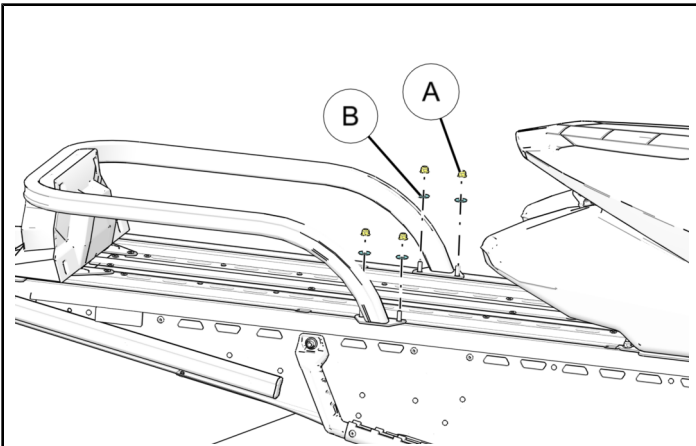
Additional time may be required for optional steps, or to accommodate other installed accessories.

INSTALLATION INSTRUCTIONS

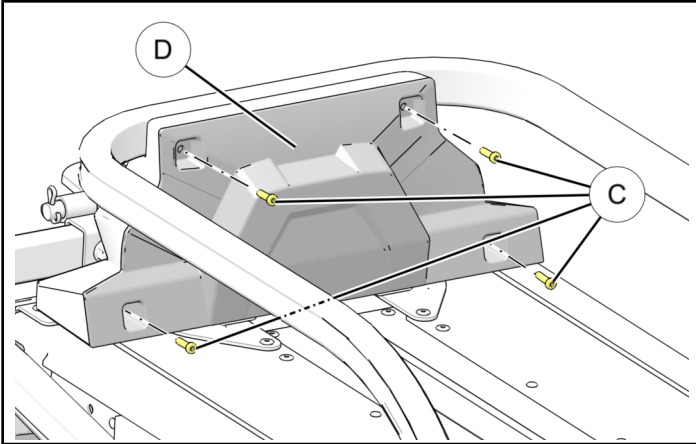
CAUTION

BEFORE STARTING INSTALLATION, always ensure vehicle is on a flat stable surface and is properly secured to avoid accidental tipping or other movement to prevent personal injury and/or damage to equipment. If applicable, turn key to “OFF” position and remove from vehicle.

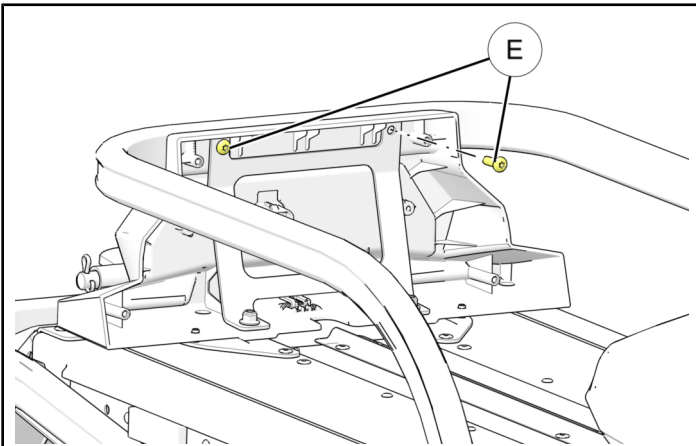
1. **Remove existing support rack.**
 - a. Remove the four locking nuts (A) and washers (B) securing the existing rear support rack in place. Retain washers and discard the locking nuts as these will be replaced with the locking nuts provided in the kit.



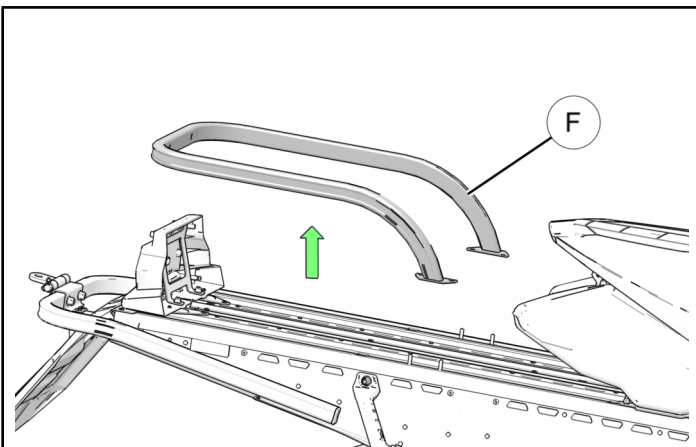
- b. Remove the four rear tail light assembly cover screws (C) and remove rear tail light assembly cover (D).



- c. Next, remove the two rear most support fasteners (E) as shown.

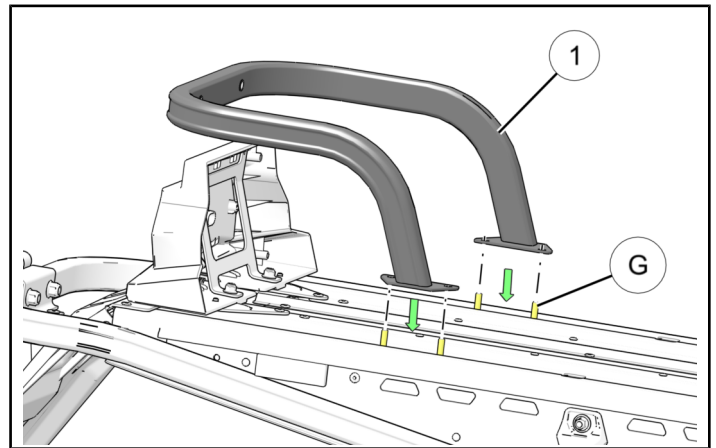


- d. Remove rear support rack (F).

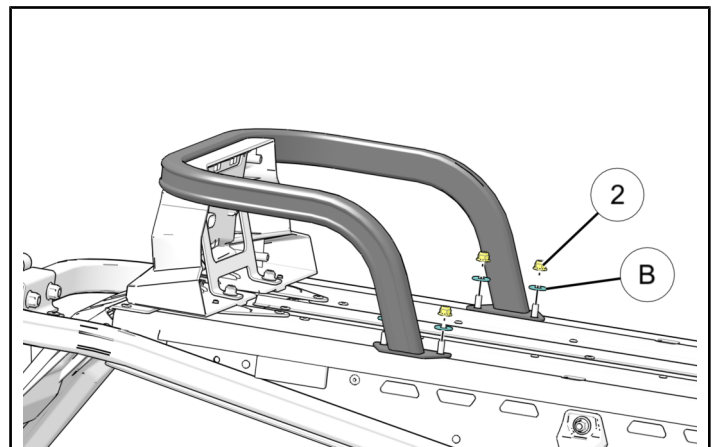


2. Install Rear Brake Light Support.

- a. Place rear support assembly (1) into position and align the existing four mounting screws (G) with the holes in the rear support mounting plates as shown.



- b. Install provided locking nuts (2) and the original flat washers (B) onto the four existing mounting screws as shown. DO NOT TIGHTEN at this time.



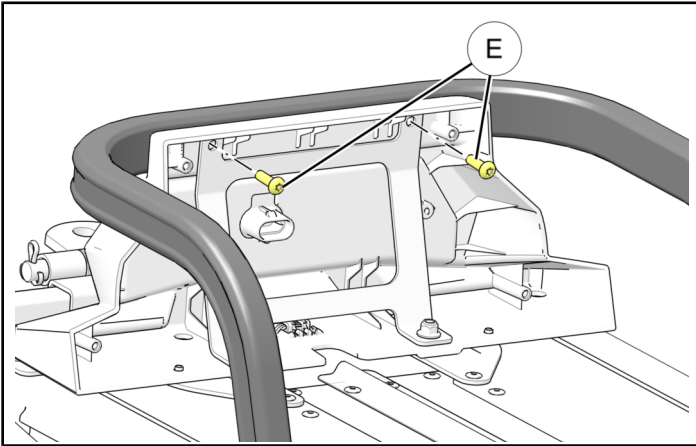
- c. Reinstall the two rear most support fasteners (E) that were removed in step 1c. Torque to specification provided.

TORQUE

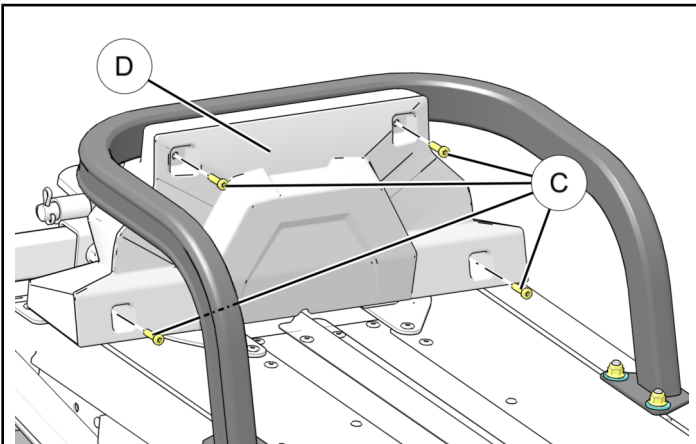
7 ft. lbs (9.5 Nm)

IMPORTANT

Before installing support mounting fasteners (E) you MUST apply Loctite® Threadlocker BLUE 242® or equivalent to threads.



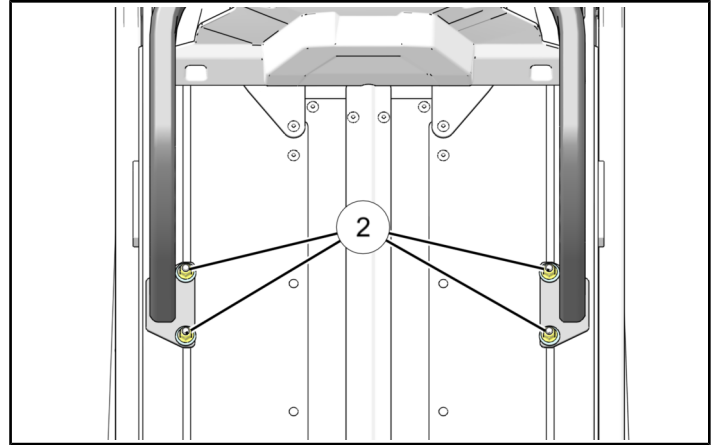
- d. Next, reinstall the rear tail light assembly cover (D) and the four tail light assembly cover screws (C) removed in step 1b. Tighten assembly cover screws until snug.



- e. Torque the four main locking nuts (2) to the provided specification.

TORQUE

7 ft. lbs. (9.5 Nm)



3. Verify work.

- a. Ensure all tools are accounted for and all necessary steps have been completed.

FEEDBACK FORM

A feedback form has been created for the installer to provide any comments, questions or concerns about the installation instructions. The form is viewable on mobile devices by scanning the QR code or by clicking [HERE](#) if viewing on a PC.

