

CLOSEOUT PANEL KIT



P/N 2882810

APPLICATION

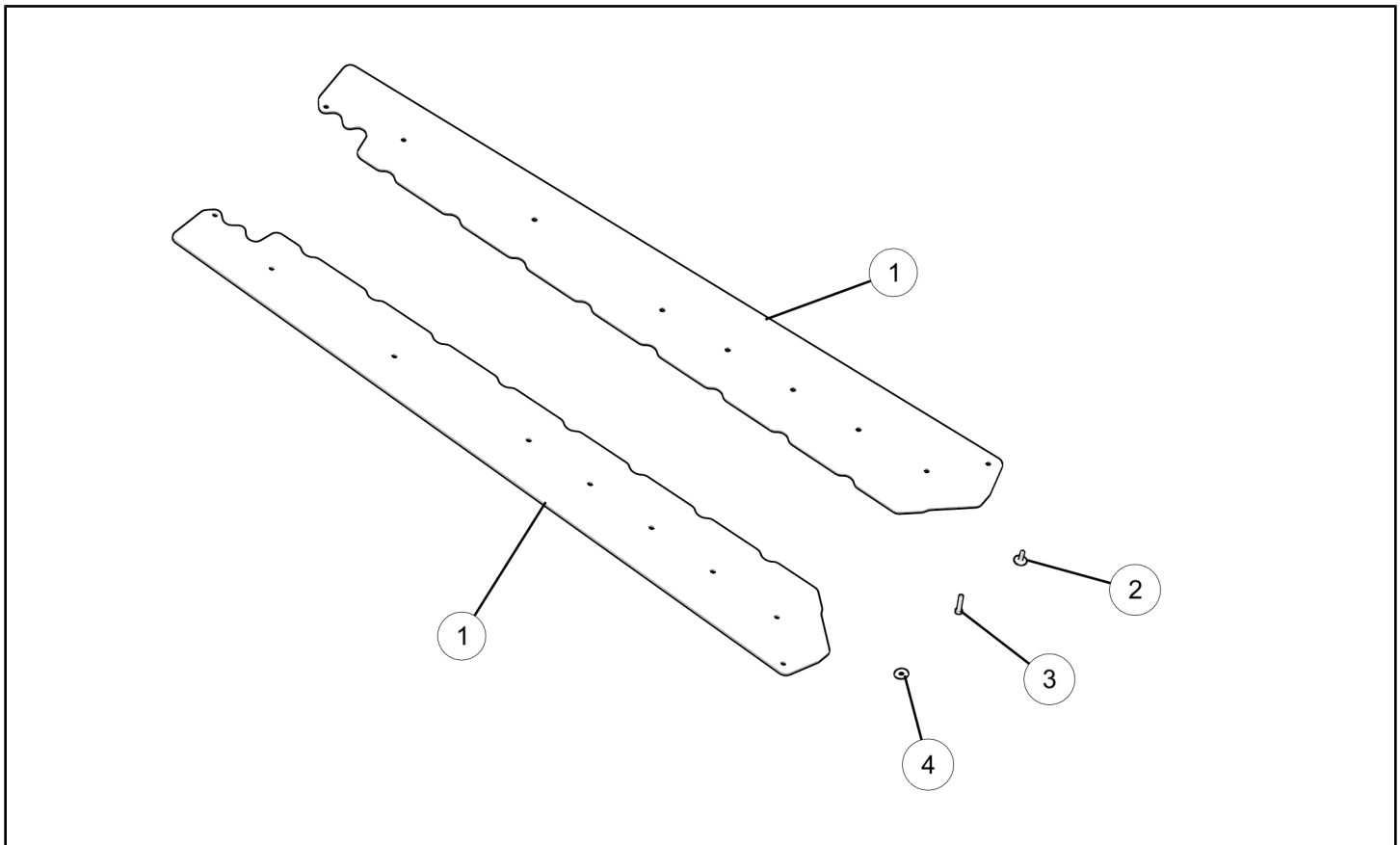
Verify accessory fitment at Polaris.com

BEFORE YOU BEGIN

Read these instructions and check to be sure all parts and tools are accounted for. Please retain these installation instructions for future reference and parts ordering information.

KIT CONTENTS

This Kit includes:



REF	QTY	PART DESCRIPTION	PART NUMBER (2877680)
1	2	Closeoff - Running Board	5814607
2	18	Rivet-3/16" (.251-.375)	7621467
3	4	Screw-M5X.80X20-HX/FL	7516607
4	4	Washer-.20X.67X.048-M	7556034
	1	Instructions	9927960

TOOLS REQUIRED

- Safety Glasses
- Pop Rivet Puller

- Wrench Set, Metric

IMPORTANT

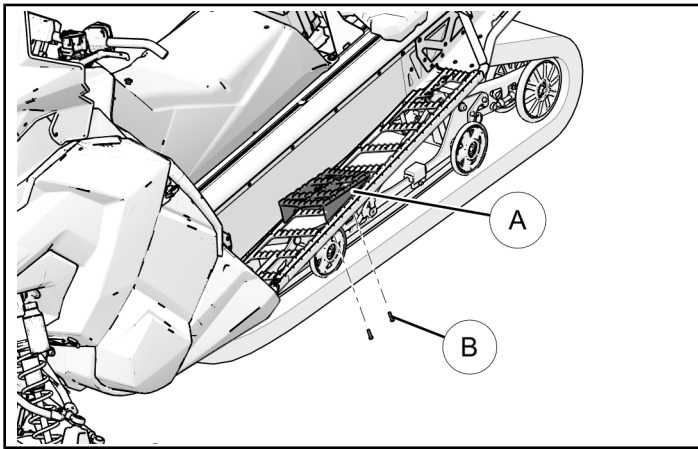
Your CLOSEOUT PANEL KIT is exclusively designed for your vehicle. Please read the installation instructions thoroughly before beginning. Installation is easier if the vehicle is clean and free of debris. For your safety, and to ensure a satisfactory installation, perform all installation steps correctly in the sequence shown.

ASSEMBLY TIME

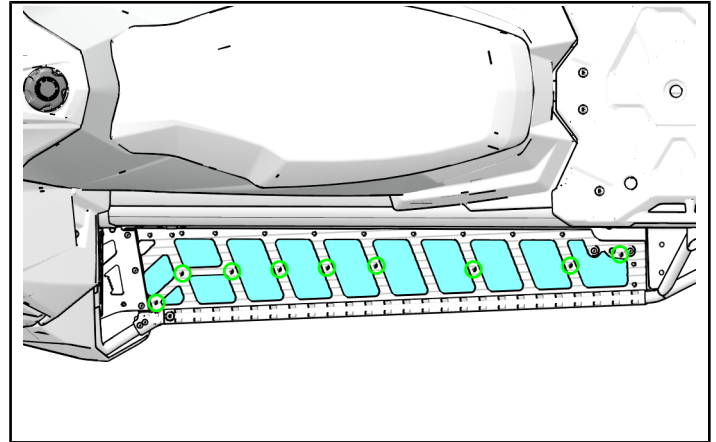
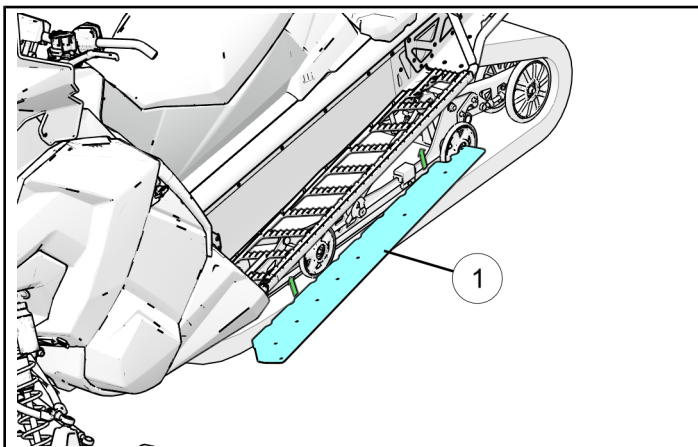
Approximately 24 minutes

INSTALLATION INSTRUCTIONS

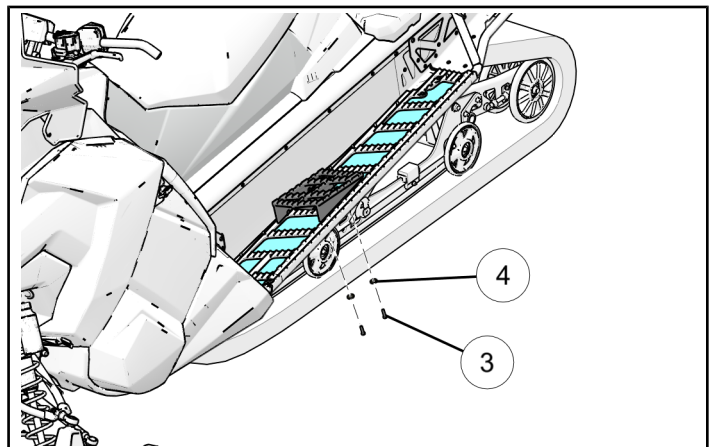
1. If your vehicle is equipped with passenger footrests **A** you will need to remove the two screws **B** from the underside of the running board on each footrest and discard the screws as they will need to be replaced with the new screws provided with your kit. If your vehicle is not equipped with passenger footrests move on to the next step.



2. Place closeout panel **1** on the underside of the running board and line up the mounting holes as shown.



3. For vehicles equipped with passenger footrests, fasten the close out plate to the underside of the running board along with the footrest back into the original position using the provided screws **3** and washers **4** (two per side). If your vehicle does not have passenger footrests move on to step 4.



4. Using a pop rivet puller and the provided rivets, complete the install of the close out plate to the underside of the running board using 9 rivets per side. If your vehicle is equipped with the passenger footrests you will only use 7 rivets per side.
5. Repeat the above steps for the opposite side.

FEEDBACK FORM

A feedback form has been created for the installer to provide any comments, questions or concerns about the installation instructions. The form is viewable on mobile devices by scanning the QR code or by clicking [HERE](#) if viewing on a PC.

