

PREMIUM SEAT KIT



P/N 2882114; 2882115; 2882116

APPLICATION

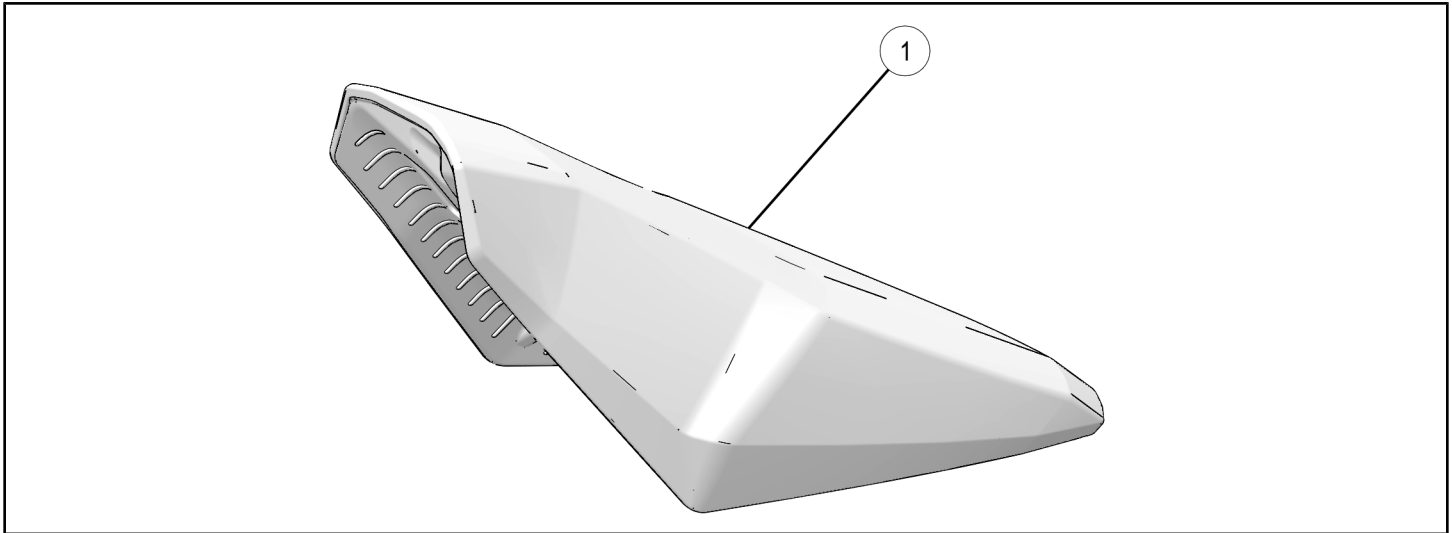
All 120, 137, and 144 Axys Snowmobiles

BEFORE YOU BEGIN

Read these instructions and check to be sure all parts and tools are accounted for. Please retain these installation instructions for future reference and parts ordering information.

KIT CONTENTS

This Kit includes:



REF	QTY	PART DESCRIPTION	PART NUMBER
1	1	Seat Assembly, Black (For Kit PN 2882114)	2687069
		Seat Assembly, Black/ Red (For Kit PN 2882115)	2686463
		Seat Assembly, Black/ Blue (For Kit PN 2882116)	2686467
	1	Instructions	9927288

TOOLS REQUIRED

- Safety Glasses
- Torque Wrench
- Screwdriver
- T30 Torx®

IMPORTANT

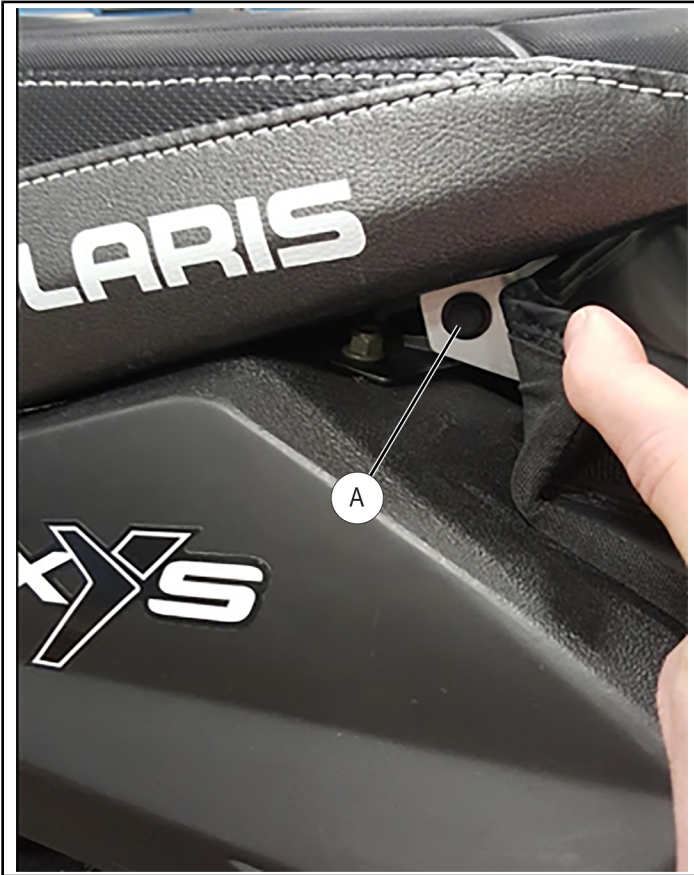
Your PREMIUM SEAT KIT is exclusively designed for your vehicle. Please read the installation instructions thoroughly before beginning. Installation is easier if the vehicle is clean and free of debris. For your safety, and to ensure a satisfactory installation, perform all installation steps correctly in the sequence shown.

ASSEMBLY TIME

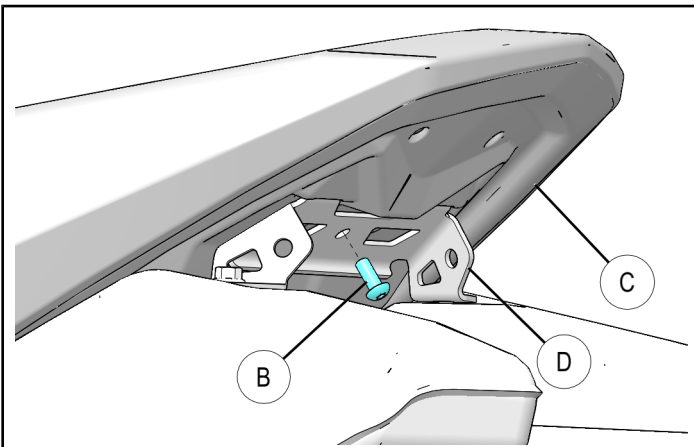
Approximately 30 minutes

INSTALLATION INSTRUCTIONS

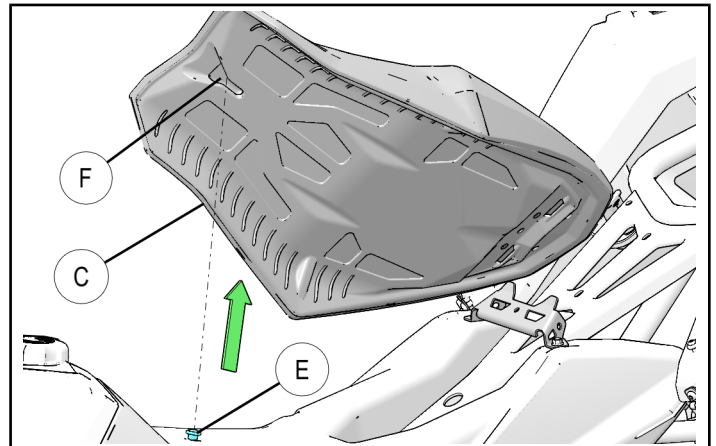
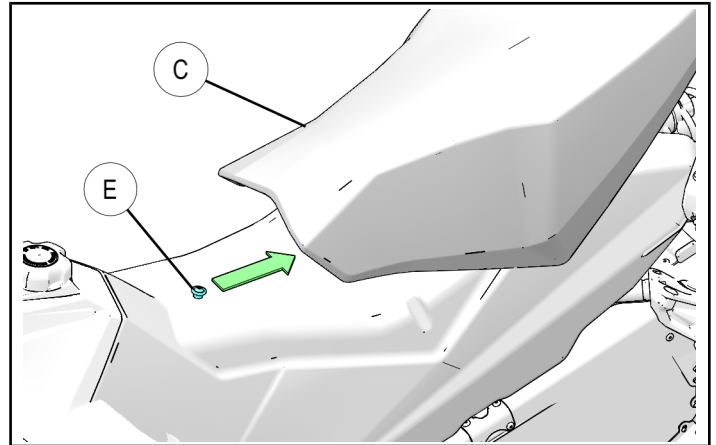
1. If you have a sled with a conventional rear tunnel, remove push dart (A) from each side under the seat bag using screw driver.



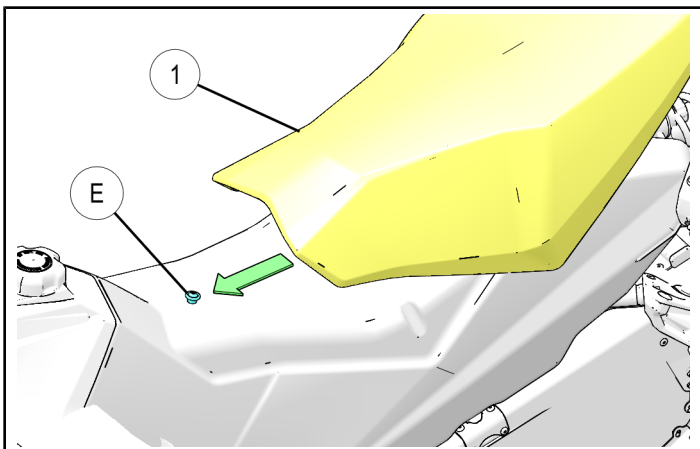
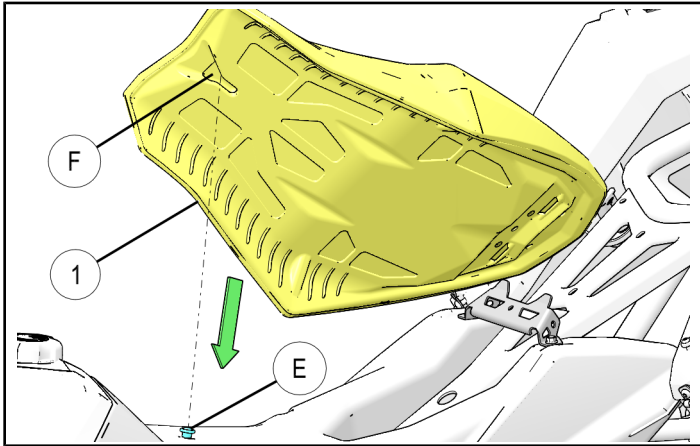
2. Using T30 Torx® remove bolt (B) that holds stock seat (C) to the rear seat bracket (D).



3. Pull back stock seat (C) so the front seat latch (F) disengages from locking feature (E) on the fuel tank as shown. Remove stock seat (C) from the vehicle.



4. Install new seat ① onto vehicle making sure that the front seat latch (F) engages with the locking feature (E) on the fuel tank as shown.



5. Reinstall the bolt (B) removed in Step 2 that holds the seat to the rear seat bracket. Torque seat mounting bolt (B) to specification.

NOTE

7 ft. lbs. (9.5 Nm)

6. If you have underseat bag, reinstall the push darts (A) removed in Step 1 at this time.