

# AXYS® PASSENGER FOOTREST KIT



**P/N 2882817**

## APPLICATION

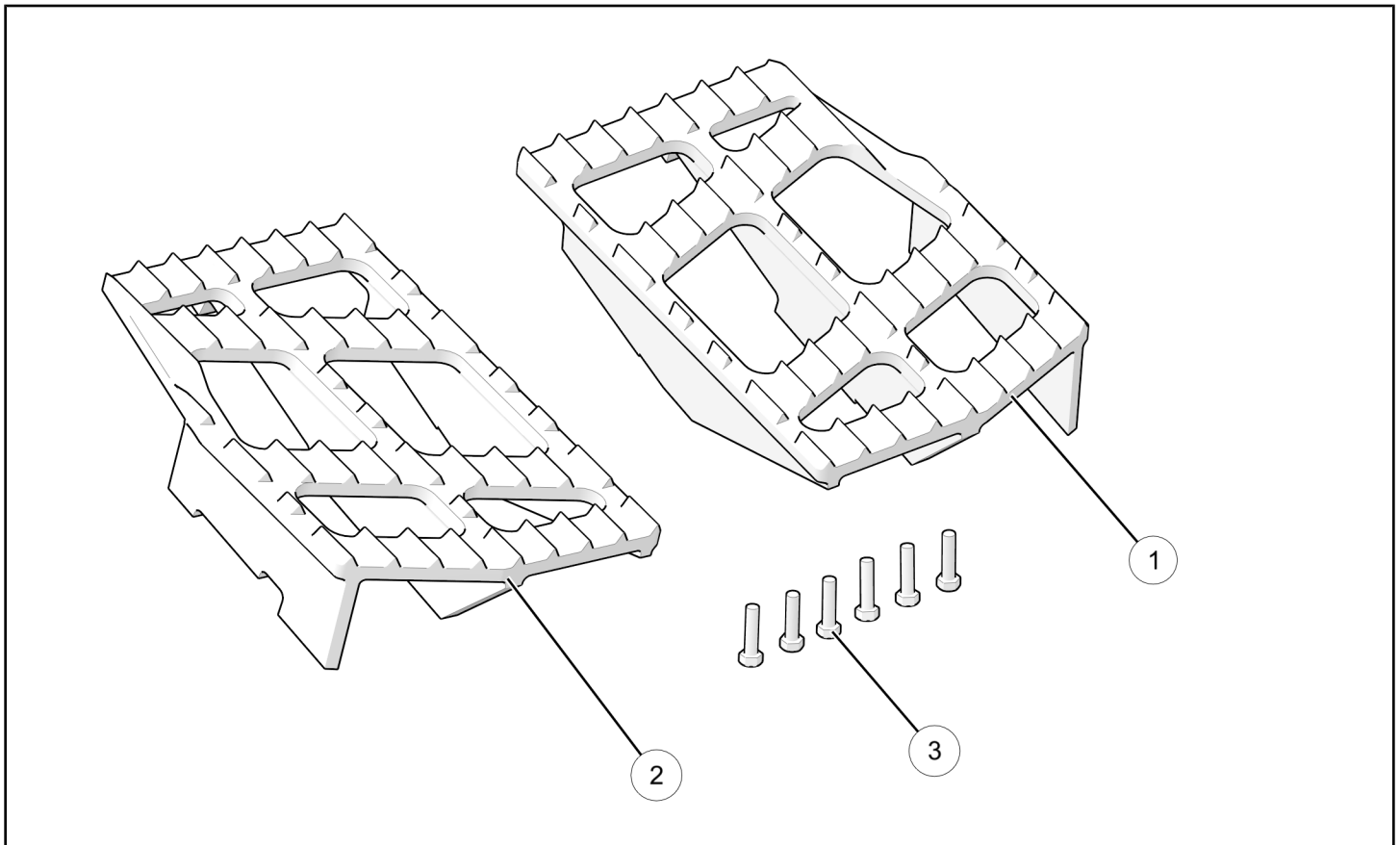
Verify accessory fitment at [Polaris.com](http://Polaris.com).

## BEFORE YOU BEGIN

Read these instructions and check to be sure all parts and tools are accounted for. Please retain these installation instructions for future reference and parts ordering information.

## KIT CONTENTS

This Kit includes:



REF	QTY	PART DESCRIPTION	PART NUMBER
1	1	Footrest - Passenger LH	5141493
2	1	Footrest - Passenger RH	5141494
3	6	Screw - M5 X .80 X 20	7516607
4	1	Template - RH (not shown)	-
5	1	Template - RH (not shown)	-
6	1	Template - RH (not shown)	-
7	1	Template - LH (not shown)	-
8	1	Template - LH (not shown)	-

REF	QTY	PART DESCRIPTION	PART NUMBER
9	1	Template - LH (not shown)	-
	1	Instructions	9928236

## TOOLS REQUIRED

- Safety Glasses
- Scissors
- Drill
- Drill Bit: (specify size)
- Socket Set, Metric
- Torque Wrench
- Center Punch
- Hammer

## IMPORTANT

Your Axys® Passenger Footrest Kit is exclusively designed for your vehicle. Please read the installation instructions thoroughly before beginning. Installation is easier if the vehicle is clean and free of debris. For your safety, and to ensure a satisfactory installation, perform all installation steps correctly in the sequence shown.

## ASSEMBLY TIME

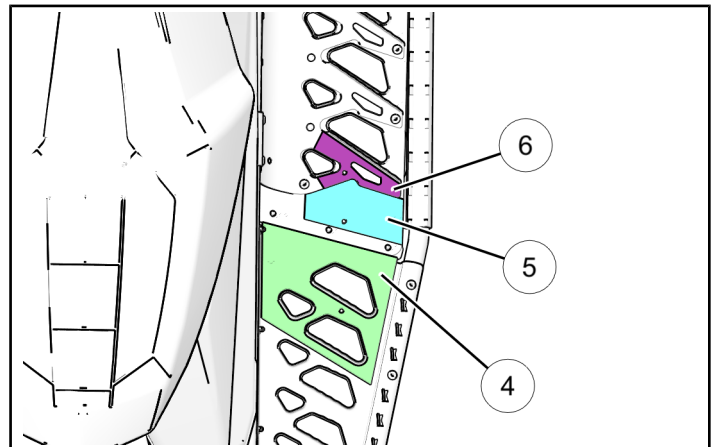
Approximately 24 minutes

## INSTALLATION INSTRUCTIONS

1. Drill mounting holes for footrests.
  - a. Templates are located on the last pages of this instruction. Locate the REFERENCE DIMENSION on each template page.  
  
Verify templates were printed to proper scale by using a ruler or tape measure to verify REFERENCE DIMENSION is exactly 4 inches.
  - b. Carefully cut out the right hand (RH) ④/⑤/⑥ or left hand (LH) ⑦/⑧/⑨ templates from the template page. Place templates into position being sure to align indicated edges as shown. Once in position mark center of hole locations with center punch or equivalent to prevent drill walk.

### IMPORTANT

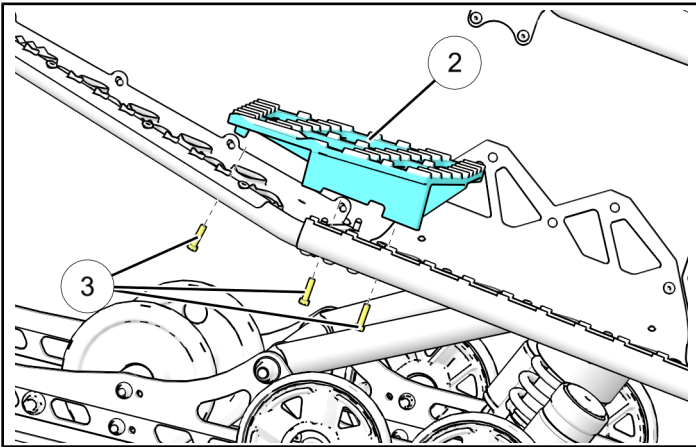
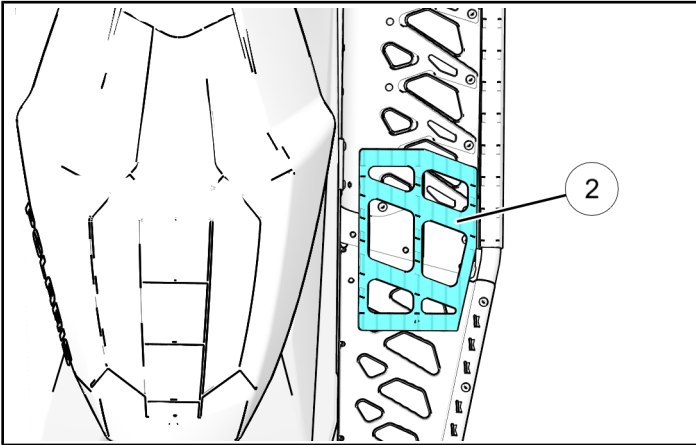
If your measurement is not exactly 4 inches, then reprint template pages from electronic file using print setting “**Actual Size**” (not “Fit”) to obtain proper 1:1 scale. Electronic file available from your **Authorized Polaris Dealer**.



- c. Carefully drill 7/32 inch (5.5 mm) hole at each marked location.

2. Install footrest.

- a. Place footrest ② (RH shown) into position by lining up the three mounting holes drilled in step 1 with the threaded holes in the footrest and securing into place using the provided fasteners ③ as shown. Torque to specification provided.



**TORQUE**

65 in. lbs. (7.3 Nm)

3. Repeat steps 1-2 for opposite side.  
4. Check to ensure all tools are accounted for and all steps have been completed.

**FEEDBACK FORM**

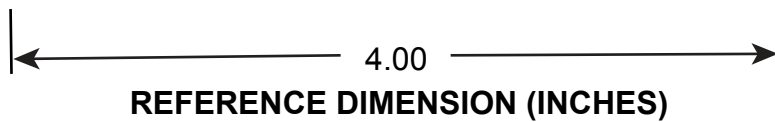
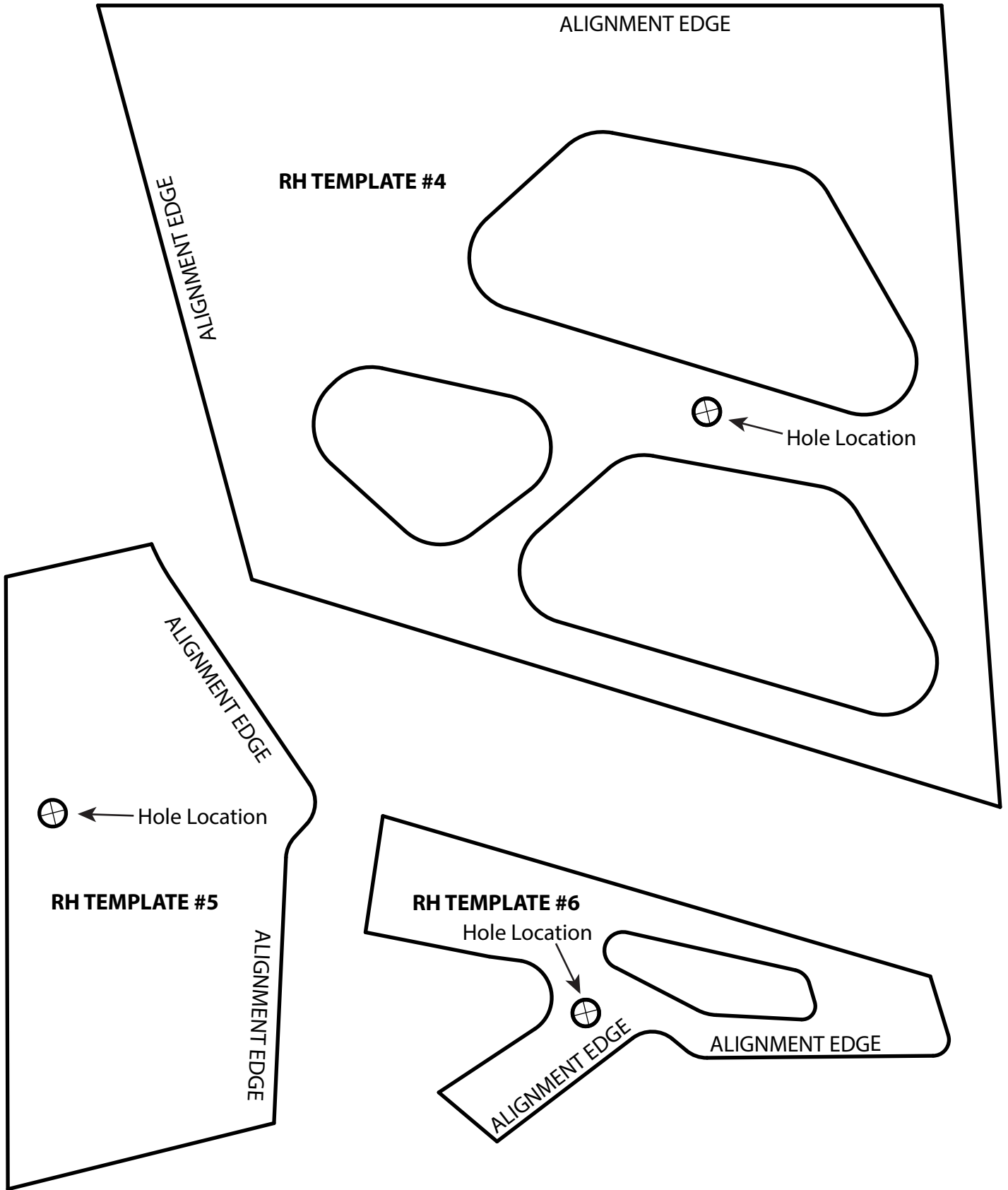
A feedback form has been created for the installer to provide any comments, questions or concerns about the installation instructions. The form is viewable on mobile devices by scanning the QR code or by clicking [HERE](#) if viewing on a PC.

**FEEDBACK FORM**



**This page intentionally left blank.**

# RH TEMPLATES



**This page intentionally left blank.**

# LH TEMPLATES

