

SPORT RACK BAG KIT



P/N 2881464

APPLICATION

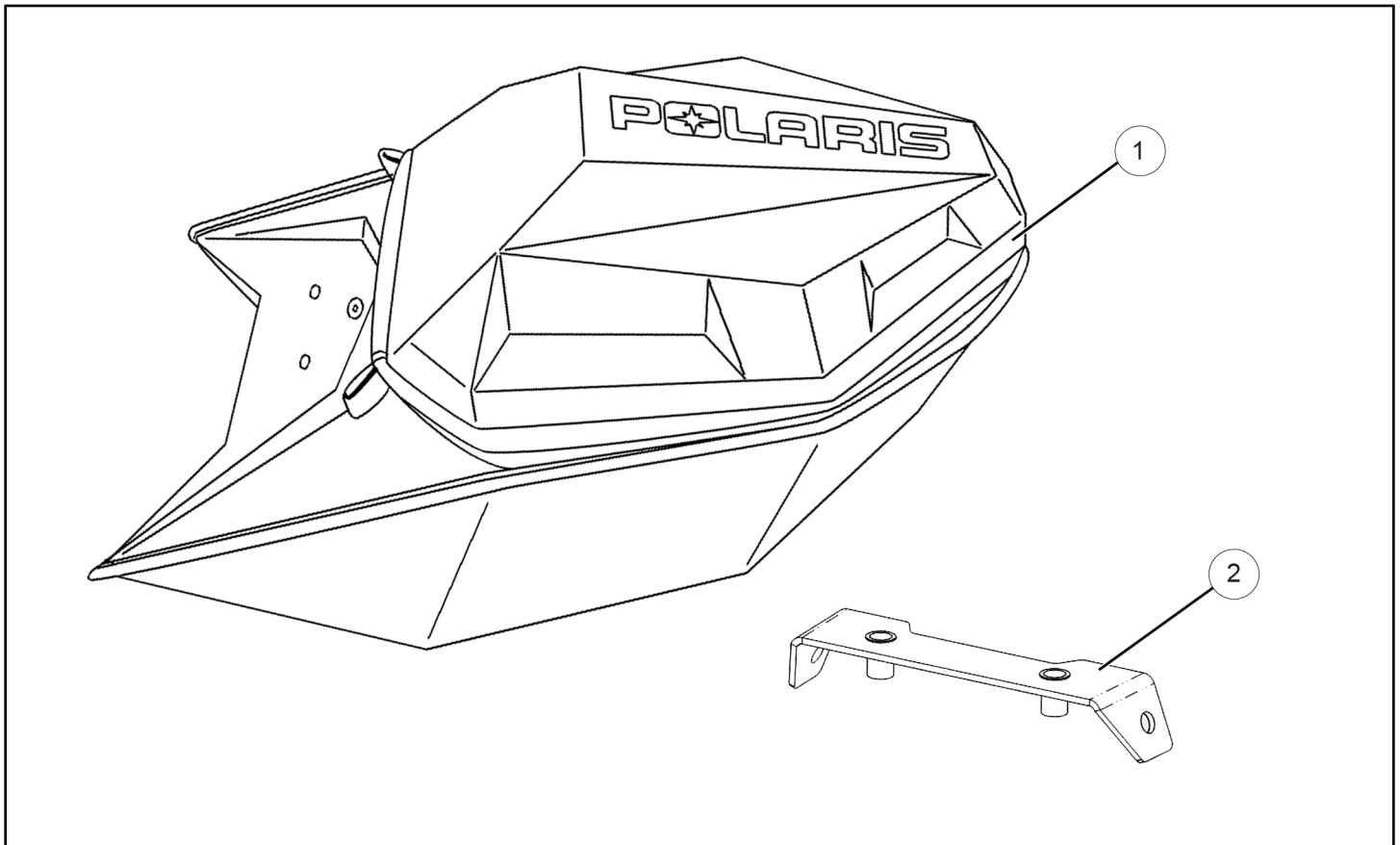
Verify accessory fitment at Polaris.com

BEFORE YOU BEGIN

Read these instructions and check to be sure all parts and tools are accounted for. Please retain these installation instructions for future reference and parts ordering information.

KIT CONTENTS

This Kit includes:



REF	QTY	PART DESCRIPTION	PART NUMBER
1	1	Sport Rack Bag	2686873
2	1	Bracket W/ Threaded Inserts	1024564
3	2	Torx® Head Screws - M6 X 1.0 X 20	7519112
4	4	Tuflock® Rivet, 0.315 X 0.325 X 0.787	7661855
5	2	Plastic Dart Clip-Nylon White	7662253
	1	Instructions	9926652

TOOLS REQUIRED

- Torque Driver
- T40 Torx Head Bit

IMPORTANT

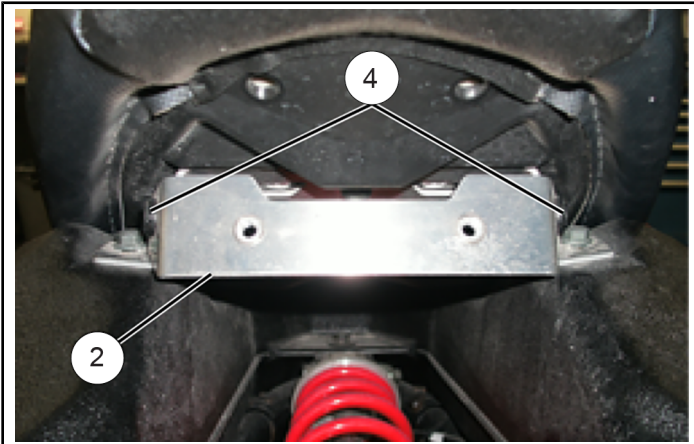
Your SPORT RACK BAG KIT is exclusively designed for your vehicle. Please read the installation instructions thoroughly before beginning. Installation is easier if the vehicle is clean and free of debris. For your safety, and to ensure a satisfactory installation, perform all installation steps correctly in the sequence shown.

ASSEMBLY TIME

Approximately 5 minutes

INSTALLATION INSTRUCTIONS

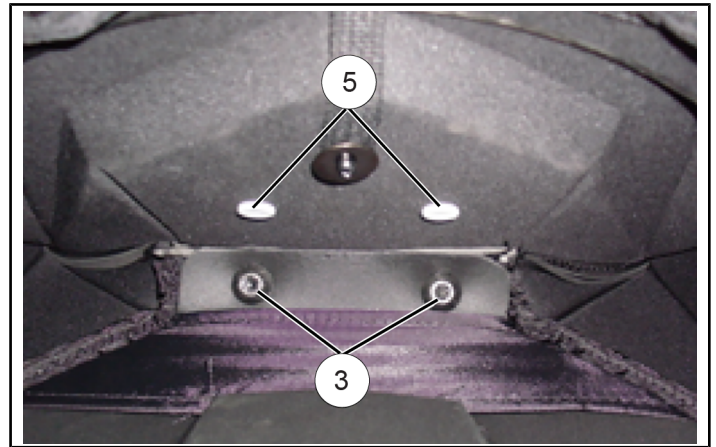
1. Install bag bracket ② using Tuflock® rivets ④.



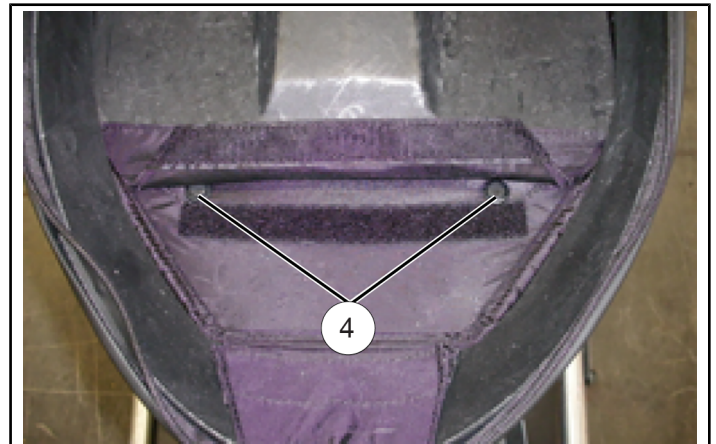
2. Place pocket in bag over rack (A).



3. Insert Torx® head screws ③ from inside of bag through holes in front and thread through bag bracket until secure.
4. Insert plastic clips ⑤ from inside of bag through holes on underside of seat.



5. Insert Tuflock® rivet ④ in holes in rear of bag and fasten to rack.



NOTE

Leave zippers open when bag is not in use to allow moisture inside to escape.