

# TITAN™ CARGO RACK KIT



**P/N 2882792**

## APPLICATION

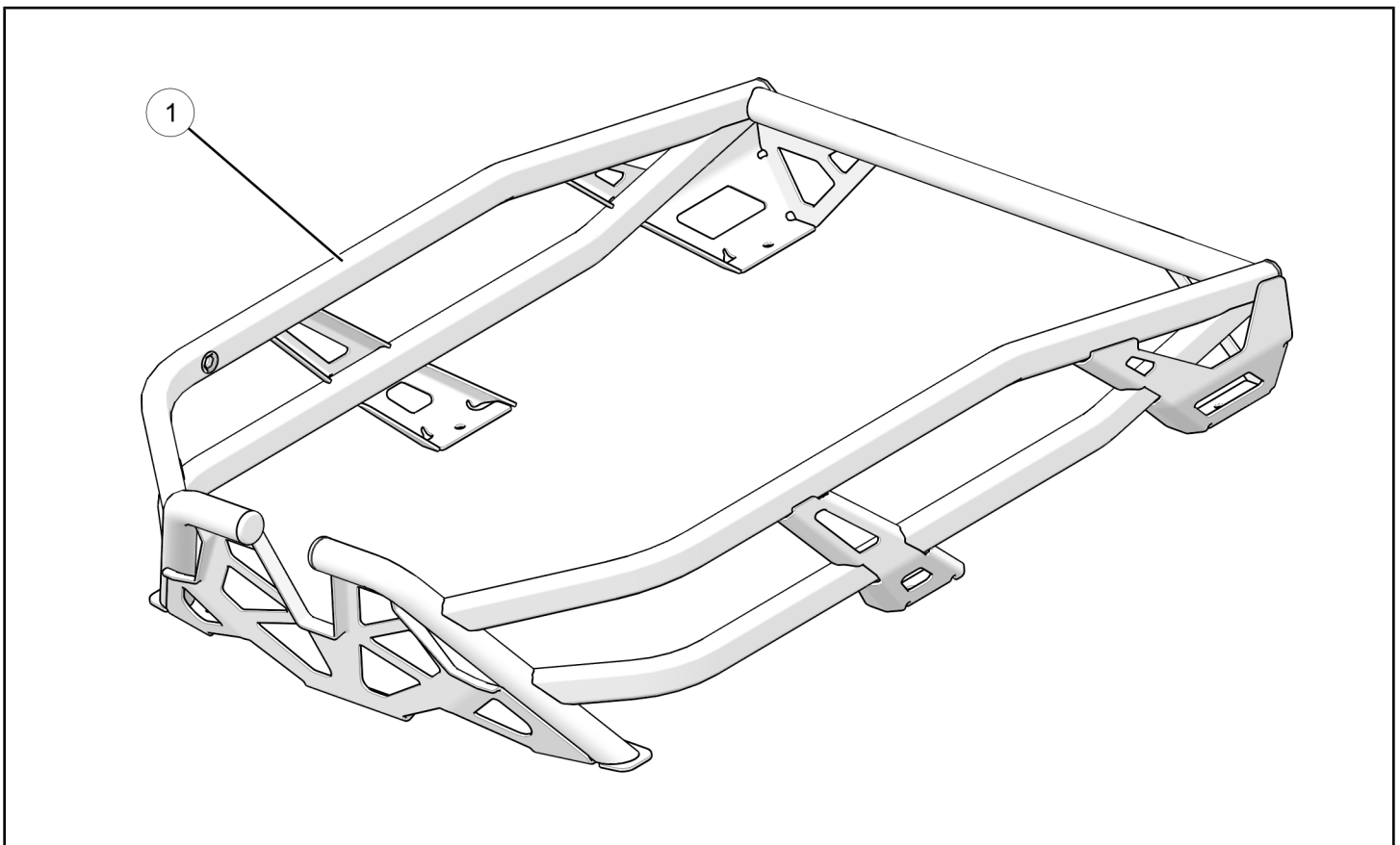
Verify accessory fitment at [Polaris.com](http://Polaris.com).

## BEFORE YOU BEGIN

Read these instructions and check to be sure all parts and tools are accounted for. Please retain these installation instructions for future reference and parts ordering information.

## KIT CONTENTS

This Kit includes:



REF	QTY	PART DESCRIPTION	PART NUMBER
1	1	Cargo Rack - Rear	1023017
	1	Instructions	9927946

## TOOLS REQUIRED

- Safety Glasses
- Torque Wrench
- Socket Set, Torx® Bit

## IMPORTANT

Your Titan™ Cargo Rack Kit is exclusively designed for your vehicle. Please read the installation instructions thoroughly before beginning. Installation is easier if the vehicle is clean and free of debris. For your safety, and to ensure a satisfactory installation, perform all installation steps correctly in the sequence shown.

## ASSEMBLY TIME

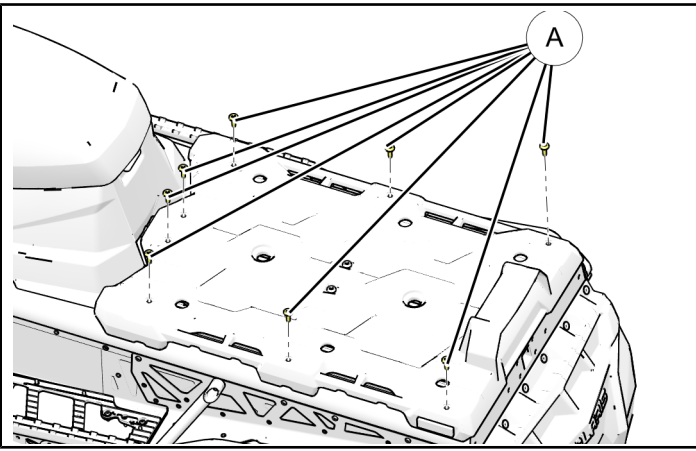
Approximately 18 minutes

### NOTE

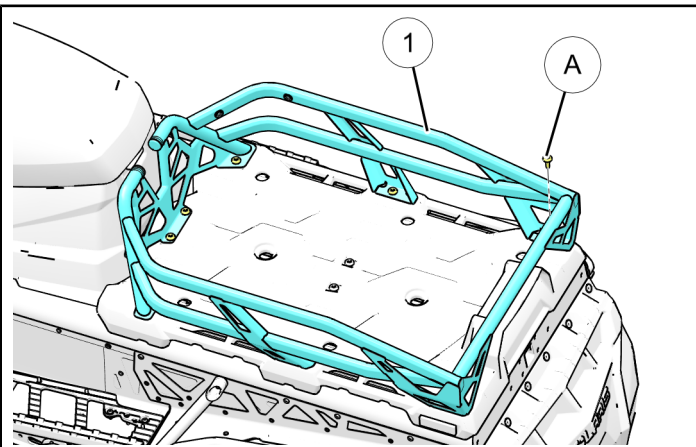
Additional time may be required for optional steps, or to accommodate other installed accessories.

## INSTALLATION INSTRUCTIONS

1. Remove the indicated fasteners **A** (Qty. 8).



2. Place Titan Rear Rack **1** onto rear platform, align mounting holes and fasten with the eight screws **A** you previously removed.



3. Torque all screws to below listed specification.

### TORQUE

12 Nm (8 ft/lbs)

4. Ensure that all tools are accounted for and that all steps have been completed.

## FEEDBACK FORM

A feedback form has been created for the installer to provide any comments, questions or concerns about the installation instructions. The form is viewable on mobile devices by scanning the QR code or by clicking [HERE](#) if viewing on a PC.

