

# TITAN™ CARGO BOX KIT



**P/N 2882793**

## APPLICATION

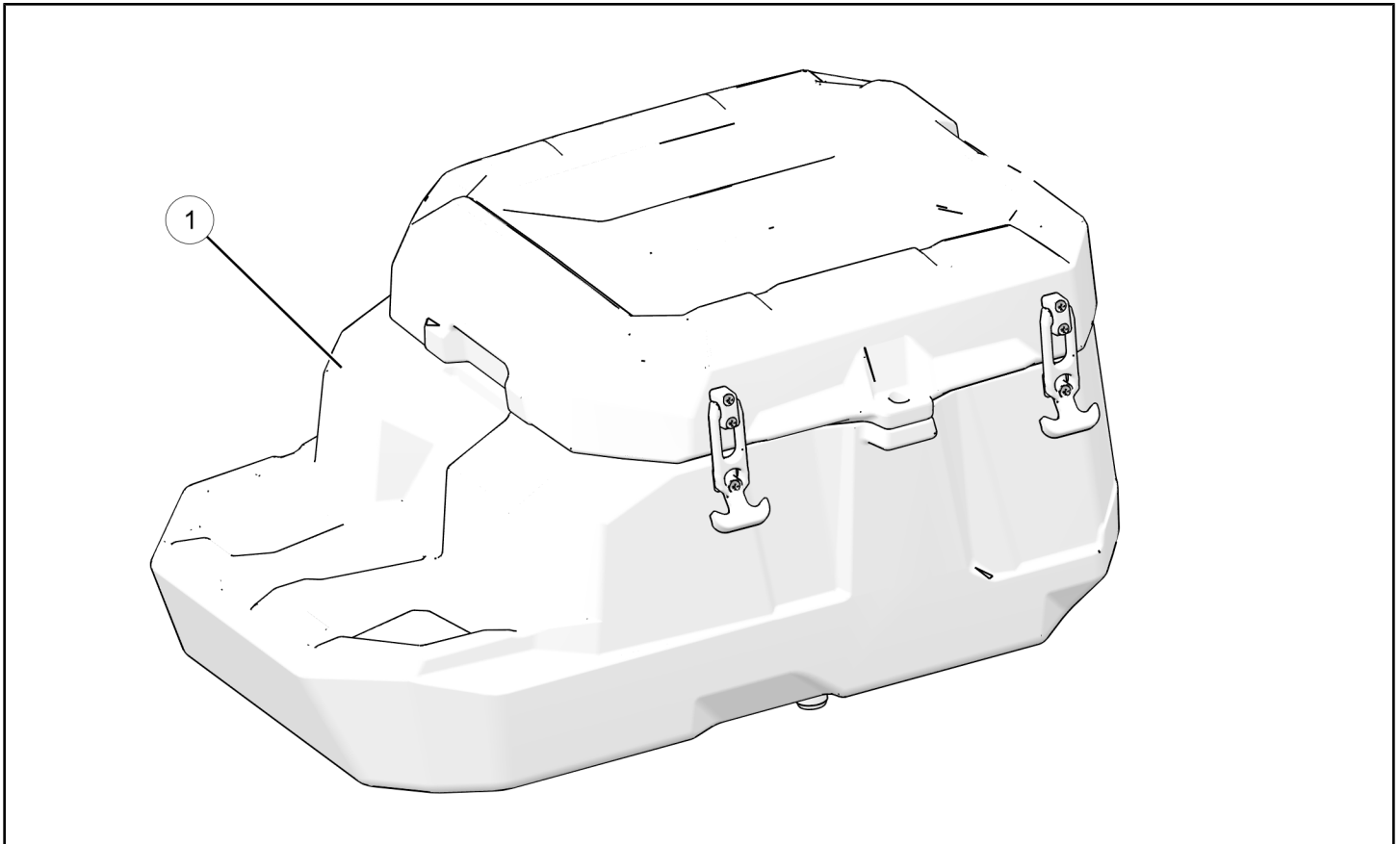
Verify accessory fitment at [Polaris.com](http://Polaris.com).

## BEFORE YOU BEGIN

Read these instructions and check to be sure all parts and tools are accounted for. Please retain these installation instructions for future reference and parts ordering information.

## KIT CONTENTS

This Kit includes:



REF	QTY	PART DESCRIPTION	PART NUMBER
1	1	Cargo Box - Titan	2636674
	1	Instructions	9927947

## TOOLS REQUIRED

- No Tools Required

## IMPORTANT

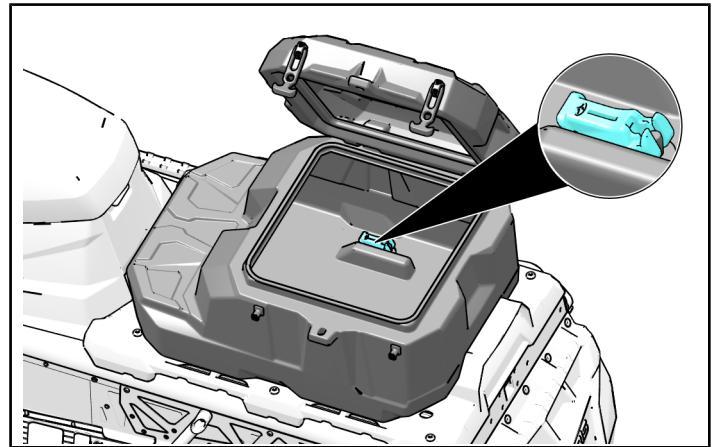
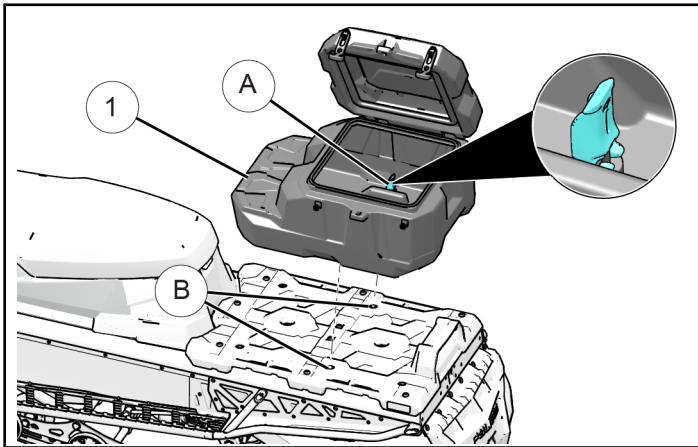
Your Titan™ Cargo Box Kit is exclusively designed for your vehicle. Please read the installation instructions thoroughly before beginning. Installation is easier if the vehicle is clean and free of debris. For your safety, and to ensure a satisfactory installation, perform all installation steps correctly in the sequence shown.

## ASSEMBLY TIME

Approximately 12 minutes

## INSTALLATION INSTRUCTIONS

1. Open the Titan Rear Cargo Box ① and make sure the Lock & Ride® hold-down levers ② are in the unlocked (vertical) position as shown in the figure below.
2. Line up mounting holes ③ on rear cargo platform with the two Lock & Ride hold-downs ② that protrude from the bottom of the cargo box ① and place the assembly onto the rear cargo platform.
3. Once in place, secure the Titan Rear Cargo Box into position by rotating the Lock & Ride hold-down levers back down into the locked (horizontal) position as seen in the image below.



4. Check to ensure the Titan Rear Cargo Box is secure and all steps have been completed.

## FEEDBACK FORM

A feedback form has been created for the installer to provide any comments, questions or concerns about the installation instructions. The form is viewable on mobile devices by scanning the QR code or by clicking [HERE](#) if viewing on a PC.

### FEEDBACK FORM

