

WINDSHIELD BAG KIT



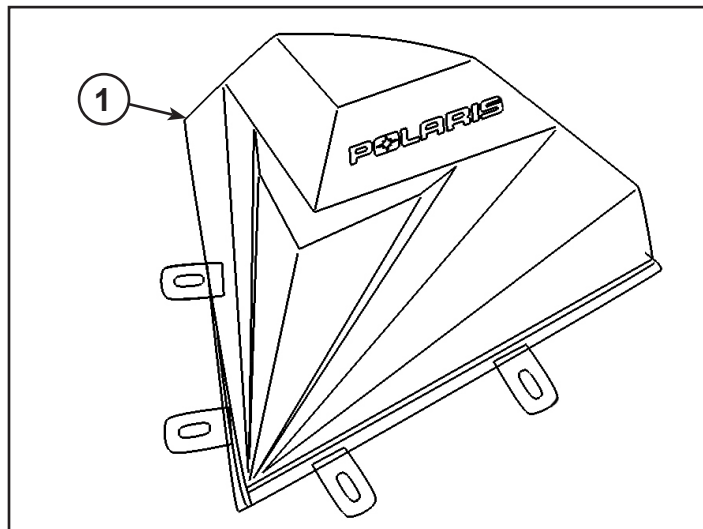
P/N 2880374

APPLICATION

PRO FIT

BEFORE YOU BEGIN

Read these instructions thoroughly and make sure all parts and tools are accounted for. Please retain these installation instructions for future reference and parts ordering information.



KIT CONTENTS

Ref	Qty	Part Description	Part Number
1	1	Windshield Bag	2880374
	1	Instructions	9925554

TOOLS NEEDED

Side Cutter or other Suitable Tool

APPROXIMATE ASSEMBLY TIME

5 mins

IMPORTANT

Your Polaris WINDSHIELD BAG KIT is exclusively designed for your vehicle. Please read the installation instructions thoroughly before beginning. Installation is easier if the vehicle is clean and free of debris. For your safety, and to ensure a satisfactory installation, perform all installation steps correctly in the sequence shown.

NOTE: Do not carry sharp or pointed objects. Maximum carrying capacity 2 lbs

