

# UNDERHOOD GOGGLE BAG KIT



**P/N 2882117**

## APPLICATION

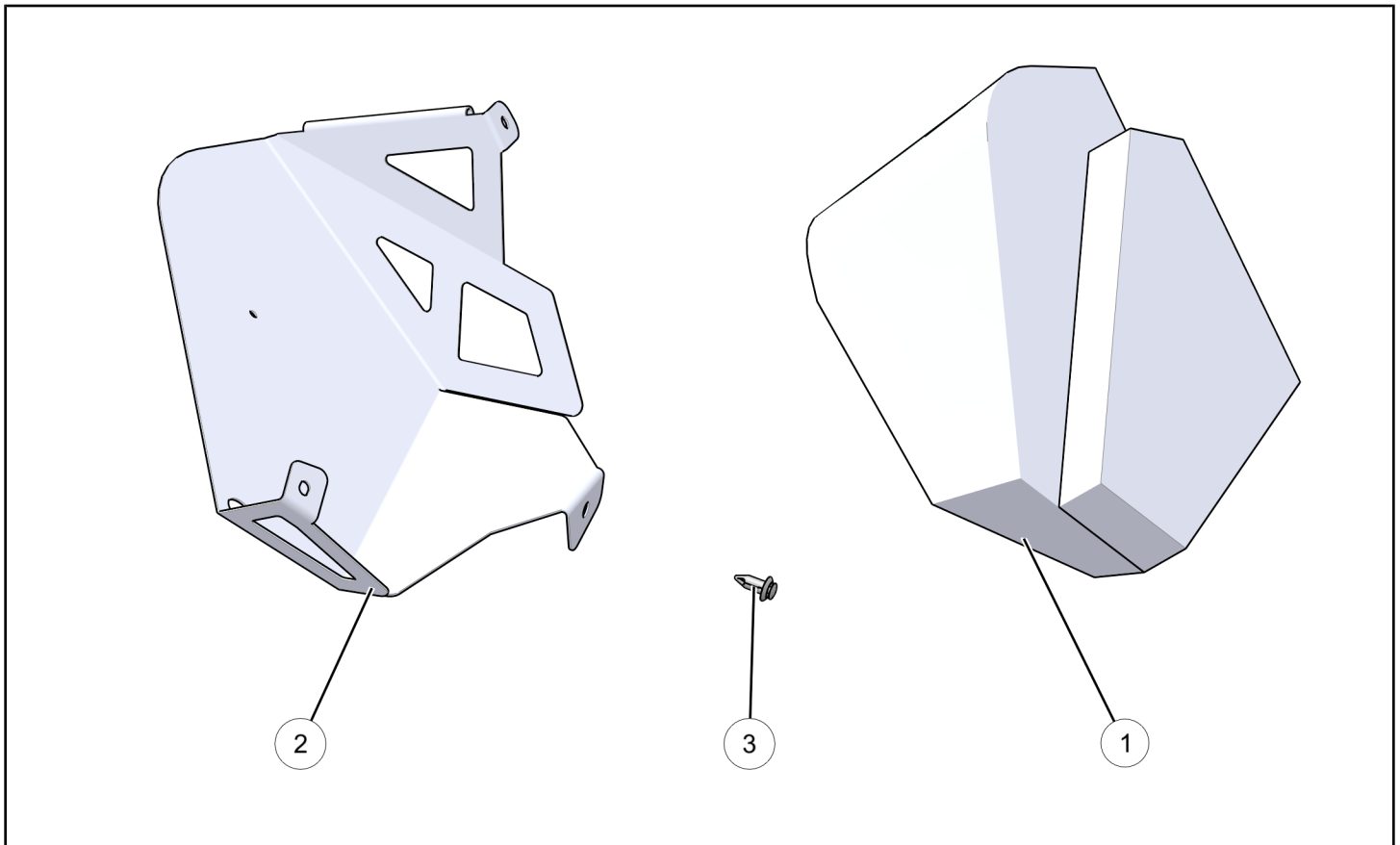
Verify accessory fitment at [Polaris.com](http://Polaris.com).

## BEFORE YOU BEGIN

Read these instructions and check to be sure all parts and tools are accounted for. Please retain these installation instructions for future reference and parts ordering information.

## KIT CONTENTS

This Kit includes:



REF	QTY	PART DESCRIPTION	PART NUMBER
1	1	Underhood Goggle Bag	2687410
2	1	Bracket	5262959
3	1	Rivet, Tuflok®	7661855
	1	Instructions	9927294

## TOOLS REQUIRED

- Safety Glasses
- Drill
- Drill Bit: 3/8 inch (9.5mm)
- Socket Set, Metric
- Socket Set, Torx® Bit
- Wrench Set, Metric
- Torque Wrench

## IMPORTANT

Your Underhood Goggle Bag Kit is exclusively designed for your vehicle. Please read the installation instructions thoroughly before beginning. Installation is easier if the vehicle is clean and free of debris. For your safety, and to ensure a satisfactory installation, perform all installation steps correctly in the sequence shown.

## ASSEMBLY TIME

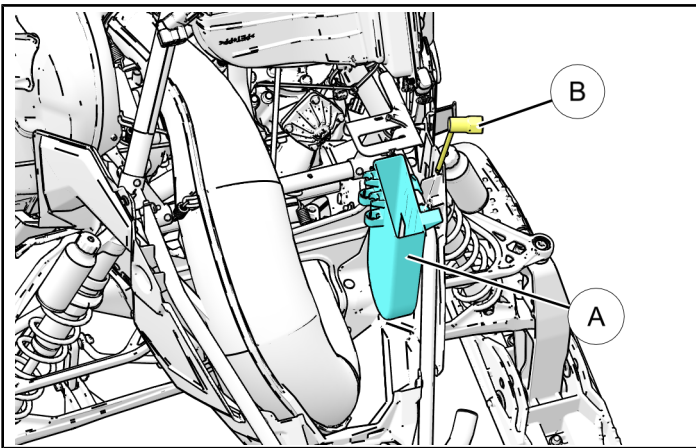
Approximately 30 minutes

### NOTE

Additional time may be required for optional steps, or to accommodate other installed accessories.

## INSTALLATION INSTRUCTIONS

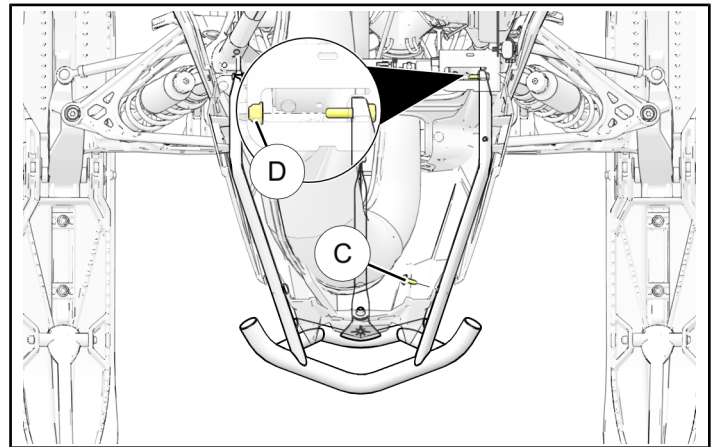
1. Ensure vehicle is on a flat, stable surface. Turn key to "OFF" position and remove from vehicle.
2. Remove hood and side panels to gain access to engine compartment.
3. Remove spare belt holder (A) and spark plug removal tool (B). To do so, rotate the spark plug tool in a counter-clockwise direction and pull upwards to remove. The spare belt holder should then be able to be removed by pulling the bottom of the holder inwards towards the center of the vehicle then upwards.



### NOTE

The lower zippered compartment on the left side of the Underhood Goggle Bag is specifically designed for the spare belt and spark plug removal tool. It is recommended you place the spare belt and spark plug tool in this compartment after removing the OEM holder (A) from the machine.

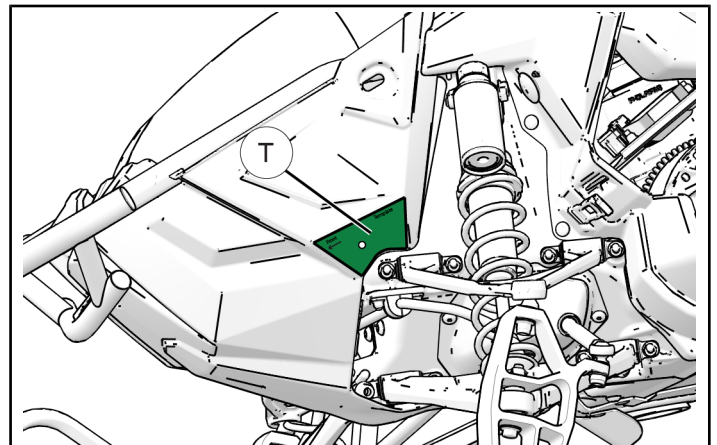
4. Remove the left side bumper fasteners (C)/(D) as shown. DO NOT discard as these will be used for the mounting bracket installation.



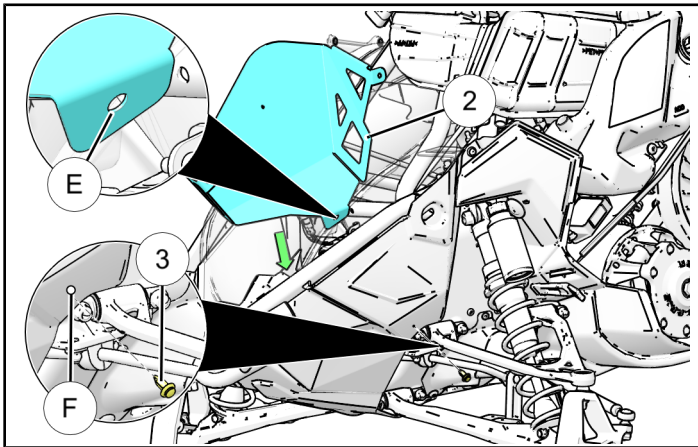
5. Locate hole location template (T) on the last page of the instructions and verify the REFERENCE DIMENSION is exactly 4 inches. Place template (T) in location shown and mark hole location.

### IMPORTANT

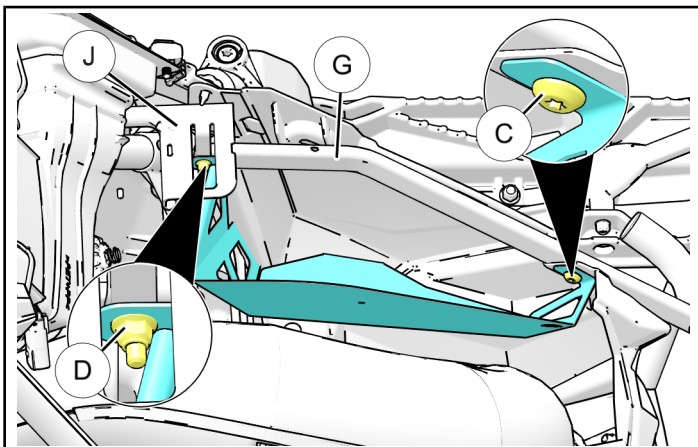
If your measurement is not exactly 4 inches, then reprint template pages from the electronic file using print setting "Actual Size" (not "Fit") to obtain proper 1:1 scale. Electronic file available from your **Authorized Polaris Dealer**.



6. Using a drill and a 3/8" drill bit, drill the mounting bracket hole in the location marked with the template.
7. After drilling the new mounting bracket hole (E), place the mounting bracket (2) into position and line up the lower mounting hole (E) on the mounting bracket with the mounting bracket hole you just drilled. Secure in place using the plastic push pin rivet (3).



8. Next line up the upper mounting bracket hole locations as shown and reinsert mounting hardware. The rear fasteners (D) and front fastener (C) should be torqued to the specifications provided.



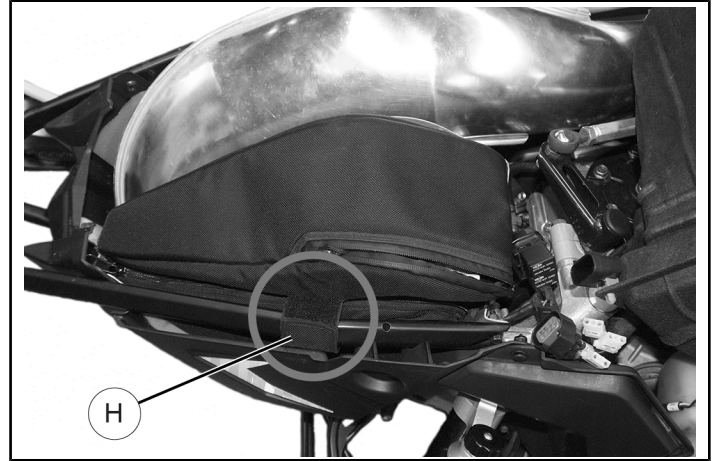
### NOTE

The illustration provided shows the mounting bracket installation location with the optional GPS puck mounting bracket (J) installed. If your vehicle has the GPS bracket installed, mount the Underhood Goggle bracket as shown. For vehicles without this option simply mount the Underhood Goggle bracket directly against the bumper (G).

### TORQUE

Rear: 7.5 ft/lbs (x Nm)  
 Front: 7.5 ft/lbs (x Nm)

9. After securing the mounting bracket, place the bag into position and secure to bumper using the hook and loop strap (H) as shown.



10. Check to ensure all steps are complete and all tools are accounted for.

## FEEDBACK FORM

A feedback form has been created for the installer to provide any comments, questions or concerns about the installation instructions. The form is viewable on mobile devices by scanning the QR code or by clicking [HERE](#) if viewing on a PC.



# HOLE LOCATION TEMPLATE

