

WINDSHIELD REPLACEMENT BAG KIT



P/N 2882917

APPLICATION

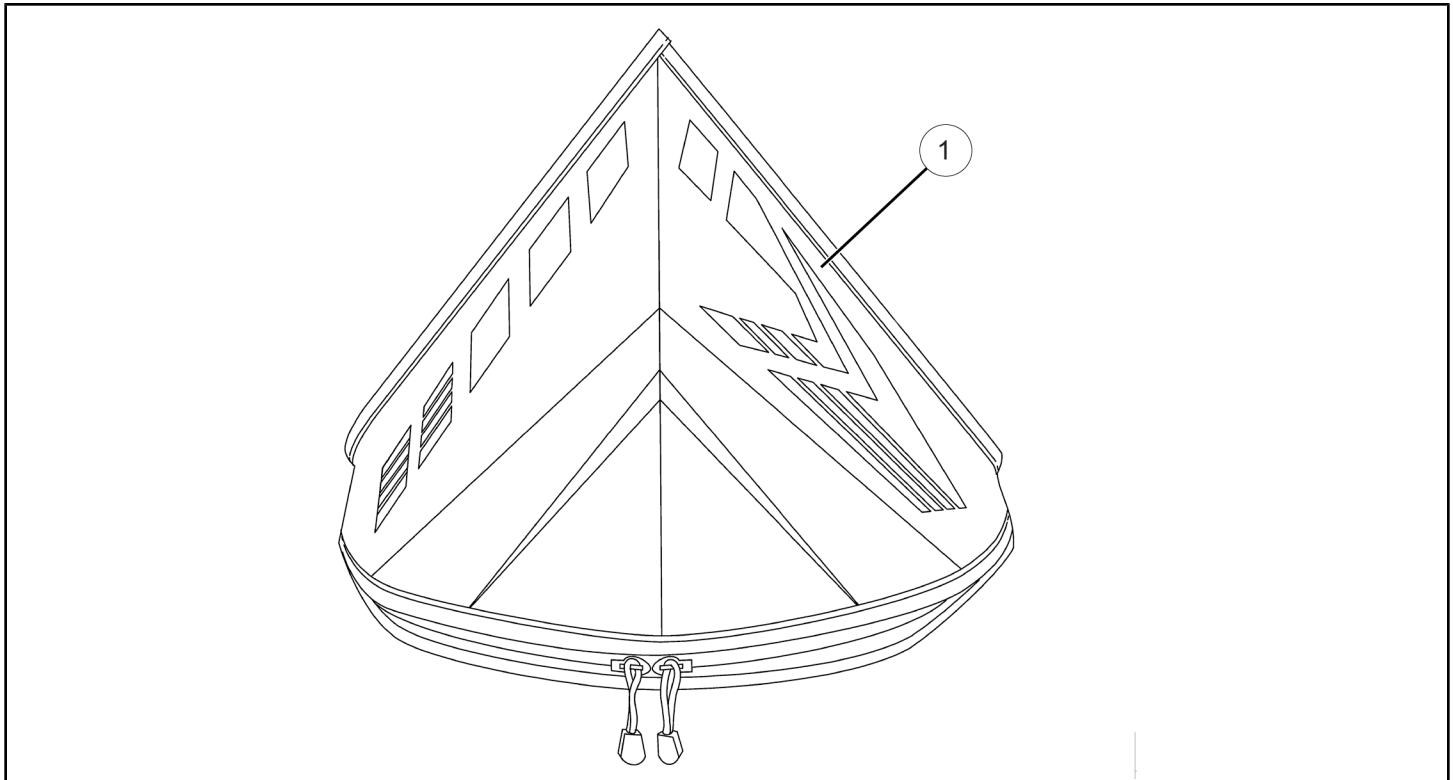
Verify accessory fitment at Polaris.com.

BEFORE YOU BEGIN

Read these instructions and check to be sure all parts and tools are accounted for. Please retain these installation instructions for future reference and parts ordering information.

KIT CONTENTS

This Kit includes:



REF	QTY	PART DESCRIPTION	PART NUMBER
1	1	Windshield Replacement Bag	2882917
	1	Instructions	9928207

TOOLS REQUIRED

- Safety Glasses
- Pliers, Push Pin Rivet

IMPORTANT

Your Windshield Replacement Bag Kit is exclusively designed for your vehicle. Please read the installation instructions thoroughly before beginning. Installation is easier if the vehicle is clean and free of debris. For your safety, and to ensure a satisfactory installation, perform all installation steps correctly in the sequence shown.

ASSEMBLY TIME

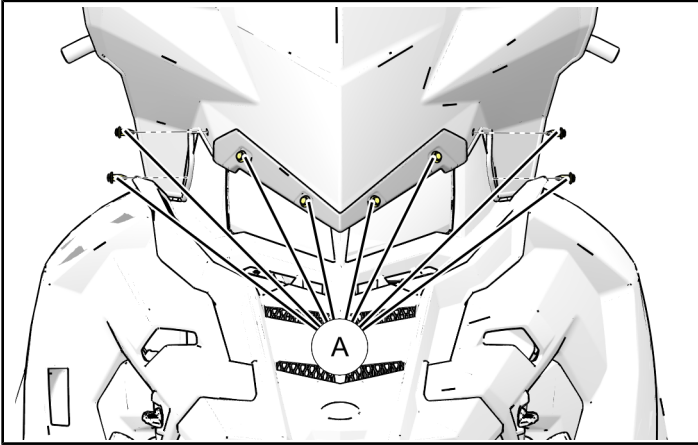
Approximately 12 minutes

NOTE

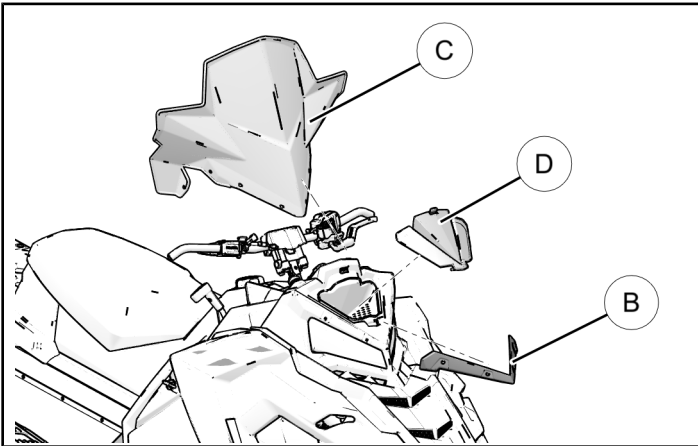
Additional time may be required for optional steps, or to accommodate other installed accessories.

INSTALLATION INSTRUCTIONS

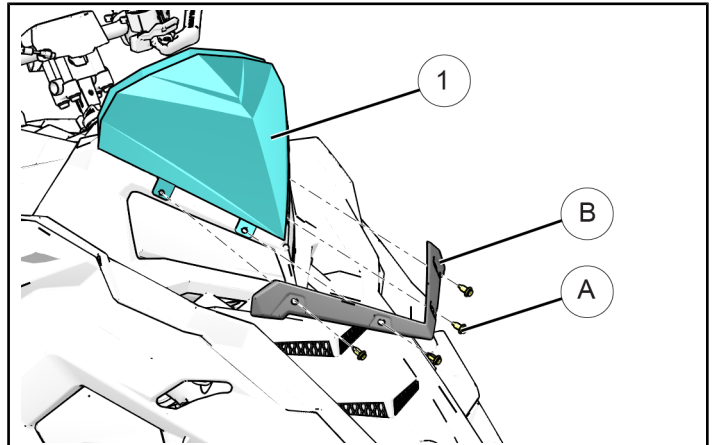
1. Remove the eight push pin rivets (A) that hold the stock windshield and trim in place.



2. Remove the windshield trim (B), windshield (C) and the hood storage bin cover (D). The windshield and storage bin cover will not be needed while the Windshield Replacement Bag Kit is installed.



3. Place the Windshield Replacement Bag (1) into position and secure by reinstalling the windshield trim (B) and securing in place with four push pin rivets (A).



FEEDBACK FORM

A feedback form has been created for the installer to provide any comments, questions or concerns about the installation instructions. The form is viewable on mobile devices by scanning the QR code or by clicking [HERE](#) if viewing on a PC.

FEEDBACK FORM

