

# BURANDT ADVENTURE TUNNEL BAG (SMALL) KIT

P/N 2880969



## APPLICATION

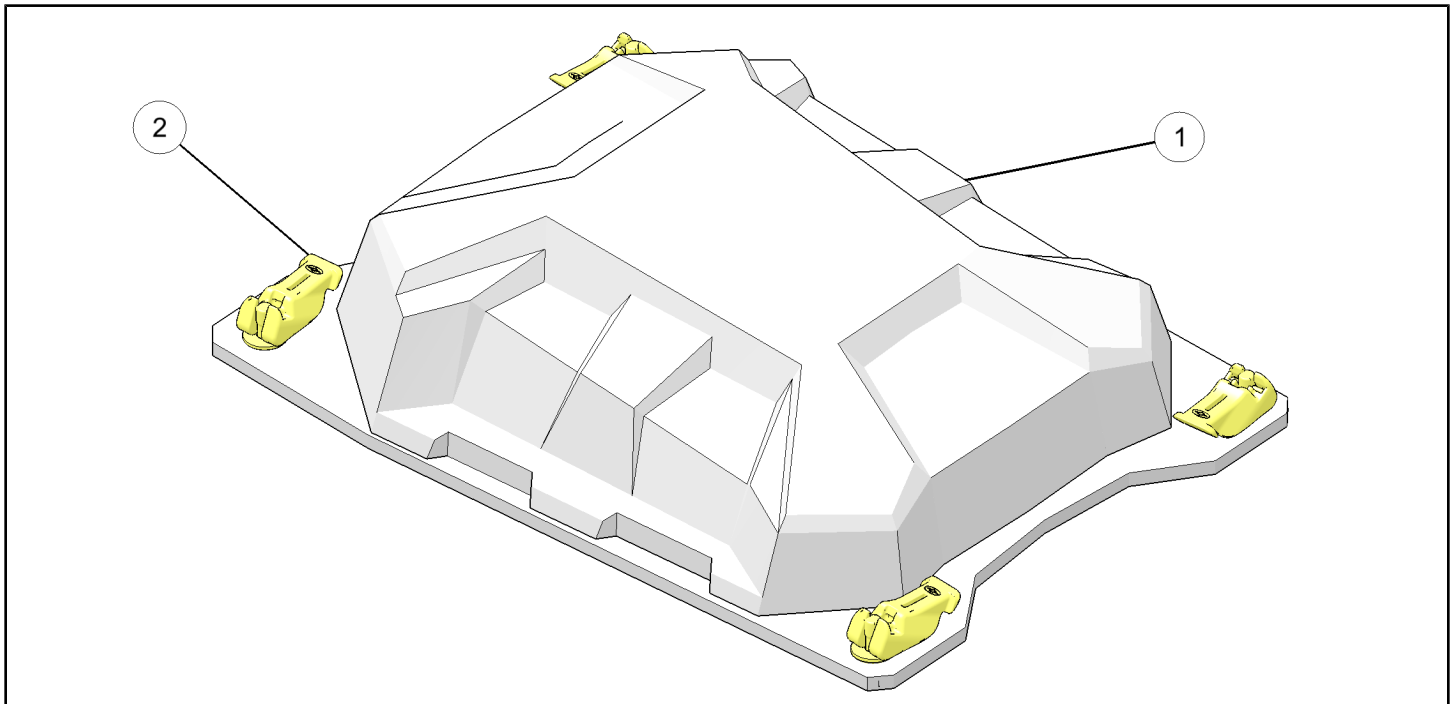
All Platforms 144" and longer

## BEFORE YOU BEGIN

Read these instructions and check to be sure all parts and tools are accounted for. Please retain these installation instructions for future reference and parts ordering information.

## KIT CONTENTS

This Kit includes:



REF	QTY	PART DESCRIPTION	PART NUMBER
1	1	Burandt Adventure Bag Small	2686596
2	4	Lock and Ride Bag Mount	2881260
	1	Instructions	9925948

## TOOLS REQUIRED

- No Tools Required

## IMPORTANT

Your BURANDT ADVENTURE TUNNEL BAG (SMALL) KIT is exclusively designed for your vehicle. Please read the installation instructions thoroughly before beginning. Installation is easier if the vehicle is clean and free of debris. For your safety, and to ensure a satisfactory installation, perform all installation steps correctly in the sequence shown.

## ASSEMBLY TIME

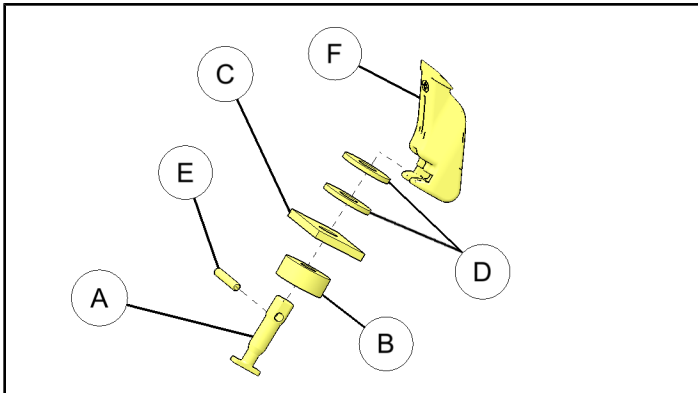
Approximately 10 minutes

### IMPORTANT

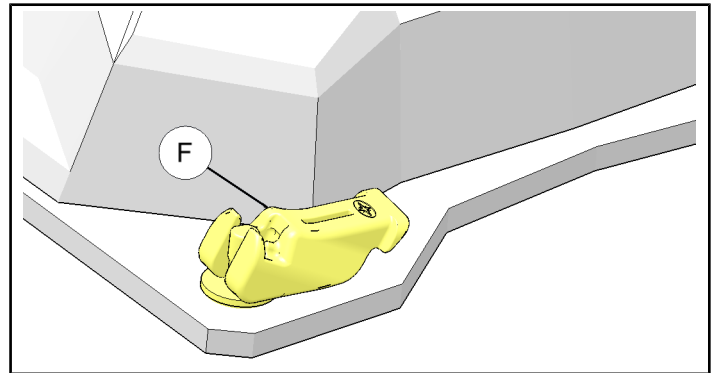
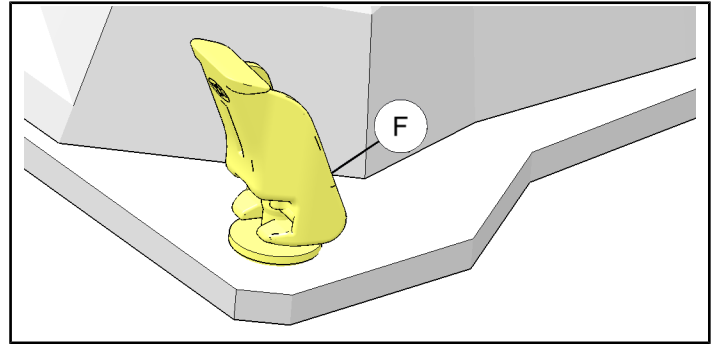
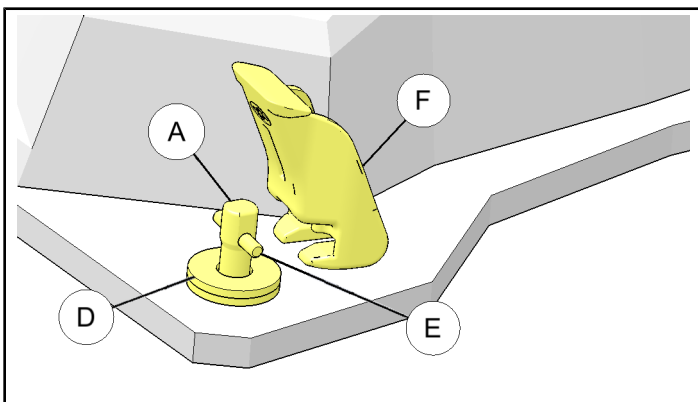
- Do not carry sharp or pointed objects inside the bag.
- Maximum carrying capacity is 10 lbs. (4.54 Kg).

## INSTALLATION INSTRUCTIONS

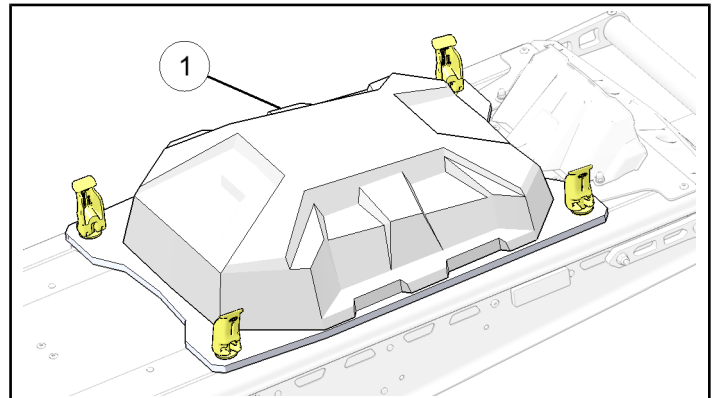
1. Assemble Lock and Ride bag mount properly into each of the four mounting locations.
  - a. Place T-slot anchor (A) through rubber bushing (B).
  - b. Place T-slot anchor with bushing through base of tunnel bag (C).



- c. Place both washers (D) onto top of T-slot anchor (A).
- d. Place dowel pin (E) through opening in T-slot anchor.
- e. Fully clip Lock and Ride handle (F) into dowel pin (E).



2. Place tunnel bag ① onto tunnel and place T-slot anchor base into tunnel slot.



3. Rotate Lock and Ride handle (F) so that T-slot anchor is perpendicular to tunnel slot.

**NOTE**

Handles always need to be pulled over towards center of the tunnel as shown.

