

# ULTIMATE SHOVEL BAG KIT



**P/N 2881057;2882822**

## APPLICATION

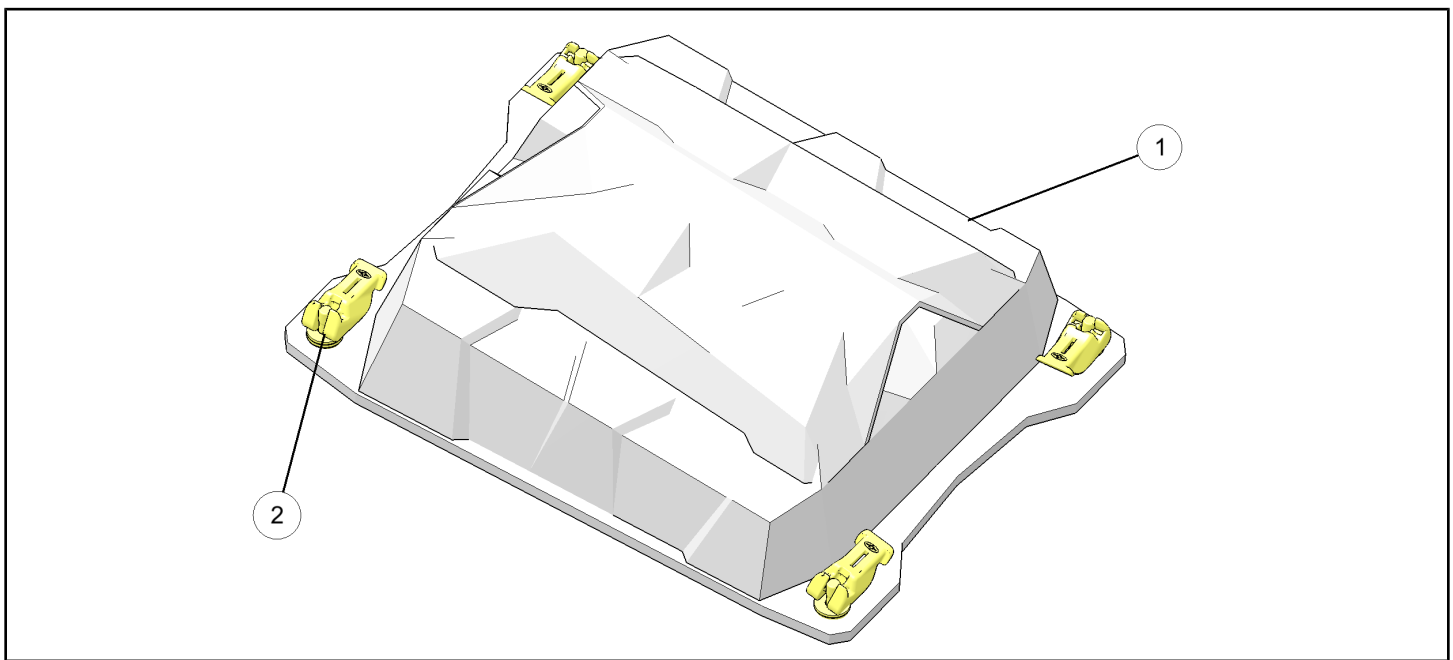
Verify accessory fitment at [Polaris.com](http://Polaris.com)

## BEFORE YOU BEGIN

Read these instructions and check to be sure all parts and tools are accounted for. Please retain these installation instructions for future reference and parts ordering information.

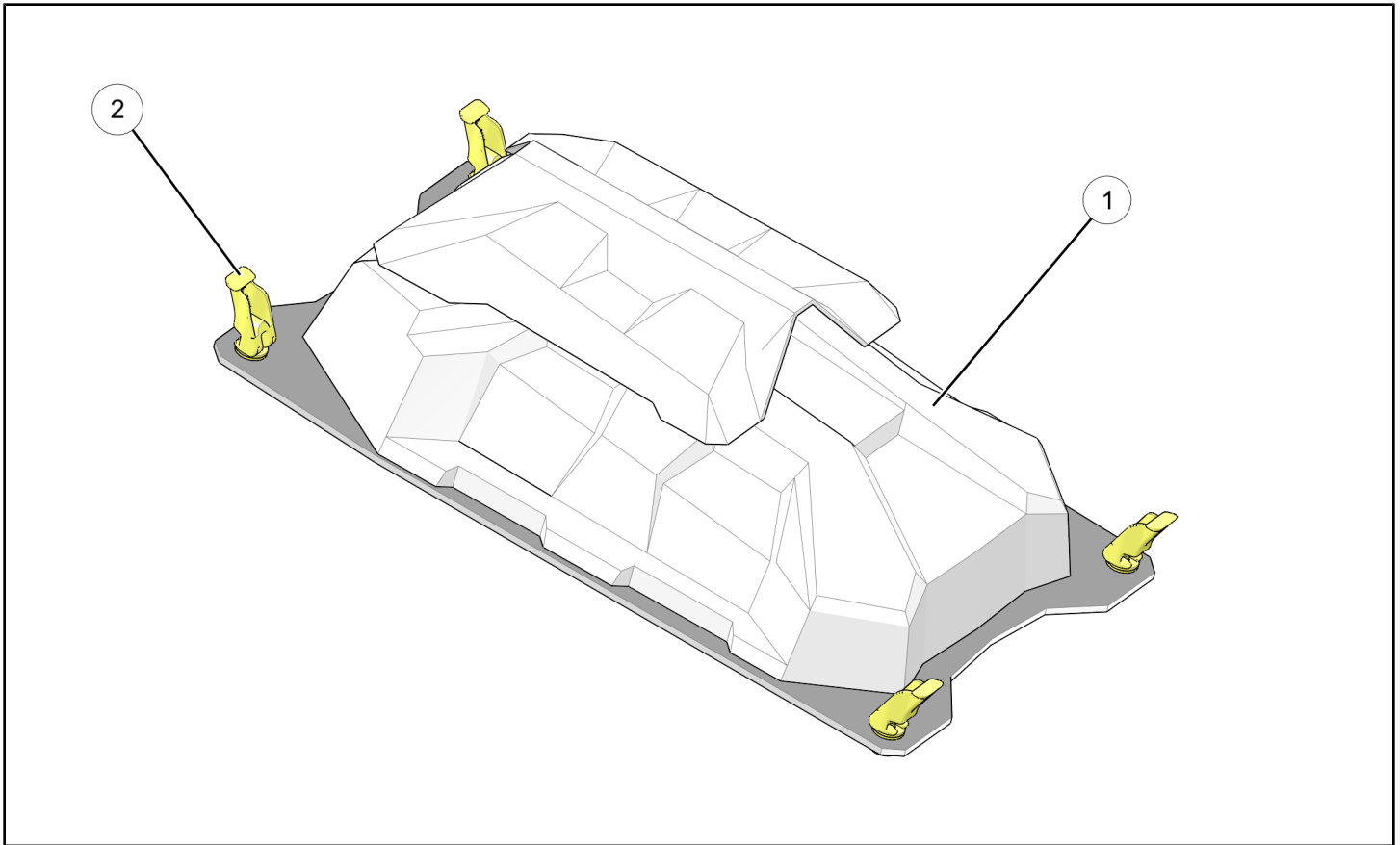
## KIT CONTENTS

Small - Kit **PN 2881057** includes:



REF	QTY	PART DESCRIPTION	PART NUMBER
1	1	Ultimate Shovel Bag - Small	2686723
2	4	Lock and Ride Bag Mount	2881260
	1	Instructions	9926587

Large - Kit **PN 2882822** includes:



REF	QTY	PART DESCRIPTION	PART NUMBER
1	1	Ultimate Shovel Bag - Large	2687803
2	4	Lock and Ride Bag Mount	2881260
	1	Instructions	9926587

## TOOLS REQUIRED

- No Tools Required

## IMPORTANT

Your ULTIMATE SHOVEL BAG KIT is exclusively designed for your vehicle. Please read the installation instructions thoroughly before beginning. Installation is easier if the vehicle is clean and free of debris. For your safety, and to ensure a satisfactory installation, perform all installation steps correctly in the sequence shown.

## ASSEMBLY TIME

Approximately 10 minutes

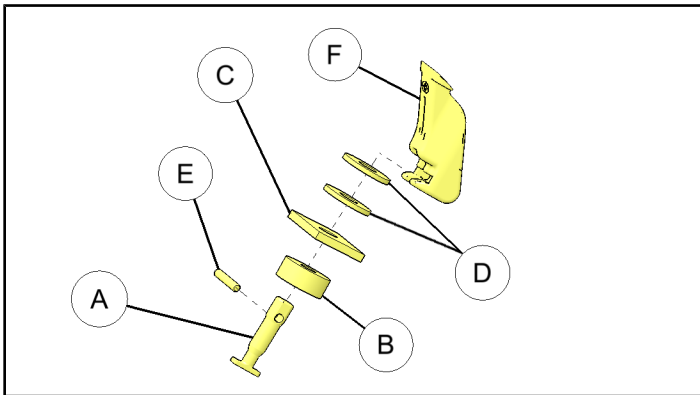
### IMPORTANT

- Do not carry sharp or pointed objects inside the bag.
- Maximum carrying capacity is 10 lbs. (4.54 Kg).

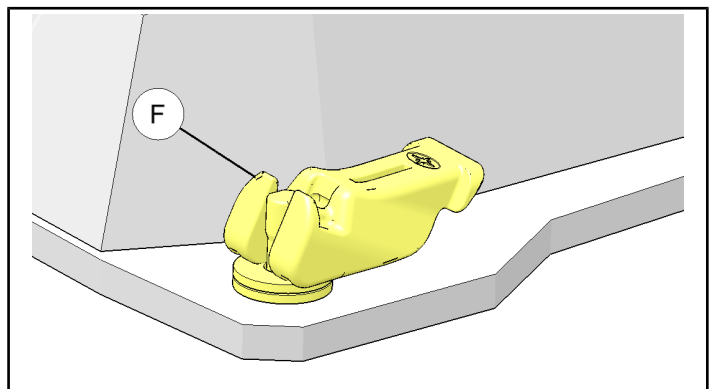
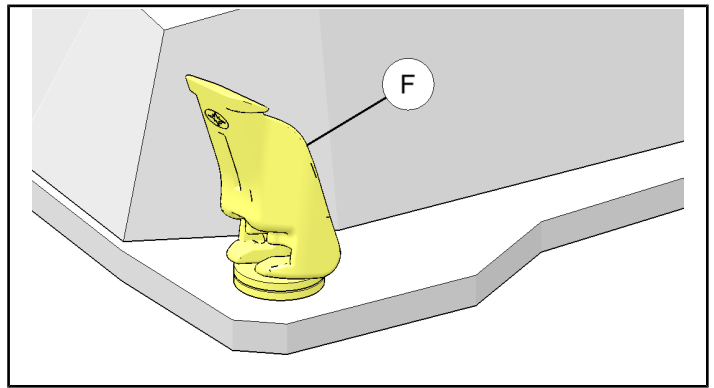
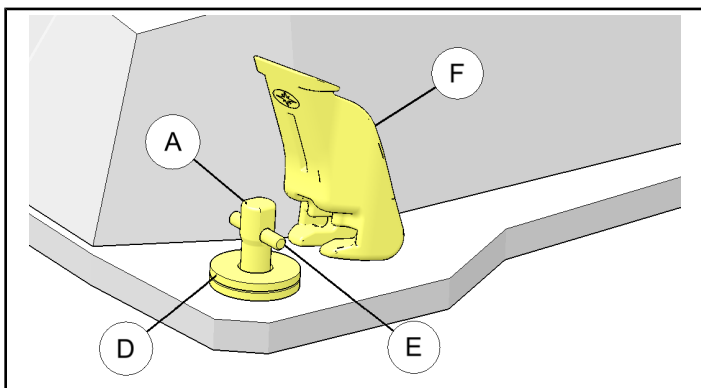
## INSTALLATION INSTRUCTIONS

The Ultimate Shovel Bag Kit is available in two sizes, Small (PN 2881057) and Large (PN 2882822). The installation procedure is the same for either kit.

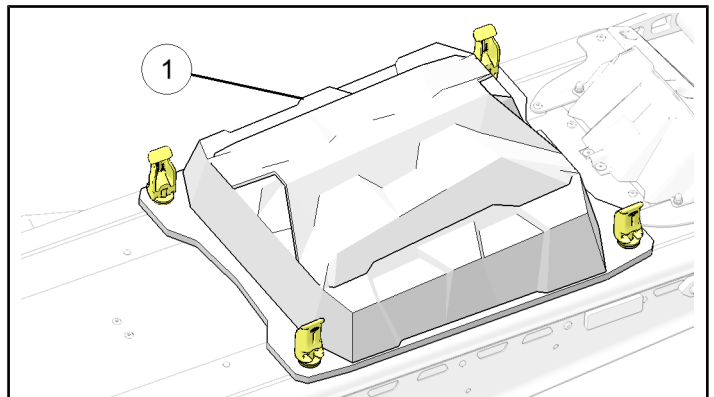
1. Assemble Lock and Ride hardware properly into each of four mounting locations.
  - a. Place T-Slot anchor (A) through rubber bushing (B).
  - b. Place T-Slot anchor with bushing through base of tunnel bag (C)



- c. Place both washers (D) onto top of T-slot anchor (A).
- d. Place dowel pin (E) through opening in T-slot anchor.
- e. Fully clip Lock and Ride handle (F) into dowel pin (E).



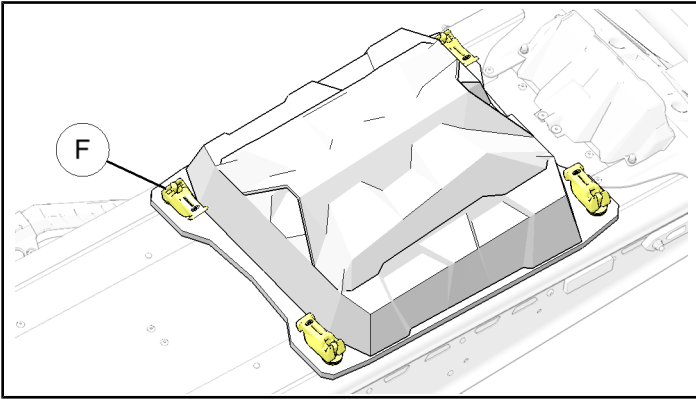
2. Place tunnel bag ① onto tunnel and place T-slot anchor base into tunnel slot.



3. Rotate Lock and Ride handle (F) so that T-slot anchor is perpendicular to tunnel slot.

#### NOTE

Handles always need to be pulled over towards center of the tunnel as shown.



#### FEEDBACK FORM

A feedback form has been created for the installer to provide any comments, questions or concerns about the installation instructions. The form is viewable on mobile devices by scanning the QR code or by clicking [HERE](#) if viewing on a PC.

#### FEEDBACK FORM

