

TITAN™ UNDERSEAT BAG



P/N 2882807

APPLICATION

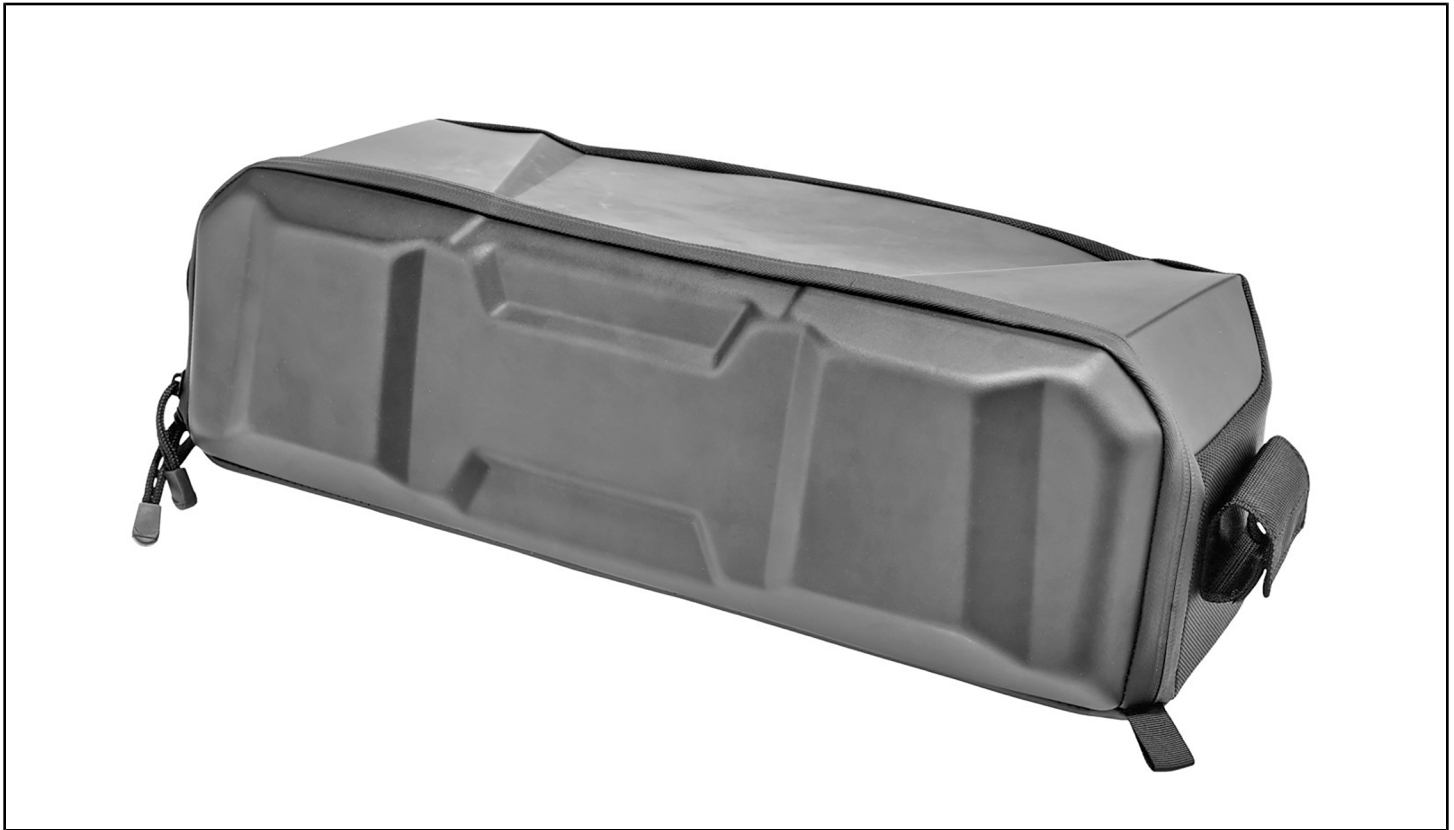
Verify accessory fitment at Polaris.com.

BEFORE YOU BEGIN

Read these instructions and check to be sure all parts and tools are accounted for. Please retain these installation instructions for future reference and parts ordering information.

KIT CONTENTS

This Kit includes:



REF	QTY	PART DESCRIPTION	PART NUMBER
1	1	Underseat Bag	2687800
	1	Instructions	9927957

TOOLS REQUIRED

None

IMPORTANT

Your Titan™ Underseat Bag is exclusively designed for your vehicle. Please read the installation instructions thoroughly before beginning. Installation is easier if the vehicle is clean and free of debris. For your safety, and to ensure a satisfactory installation, perform all installation steps correctly in the sequence shown.

ASSEMBLY TIME

Approximately 12 minutes

NOTE

Additional time may be required for optional steps, or to accommodate other installed accessories.

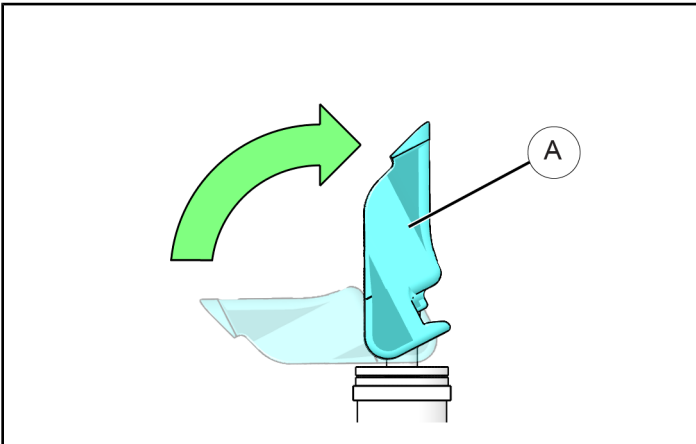
INSTALLATION INSTRUCTIONS

IMPORTANT

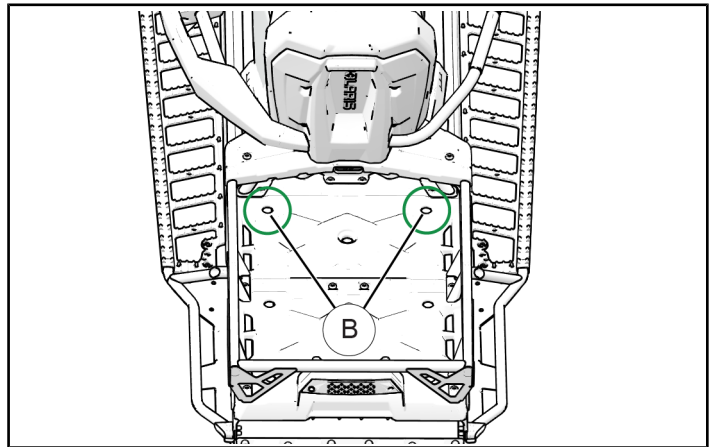
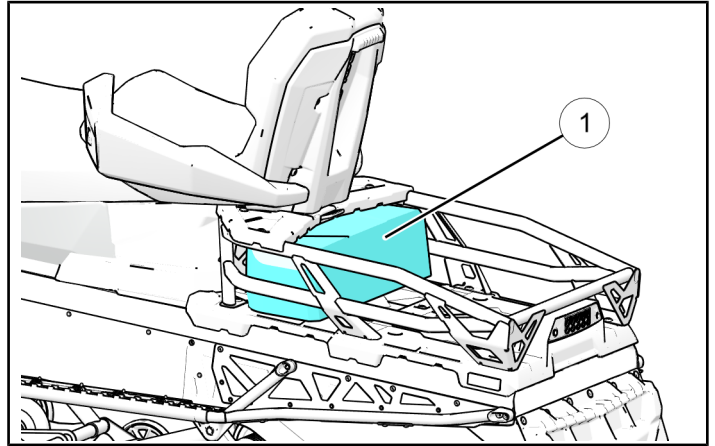
- **DO NOT** carry sharp or pointed objects inside the bag.
 - Maximum carrying capacity is 10 lbs. (4.54 Kg)
- Failure to comply may cause structural damage to the bag and related components.

Turn key to "OFF" position and remove from vehicle before starting installation.

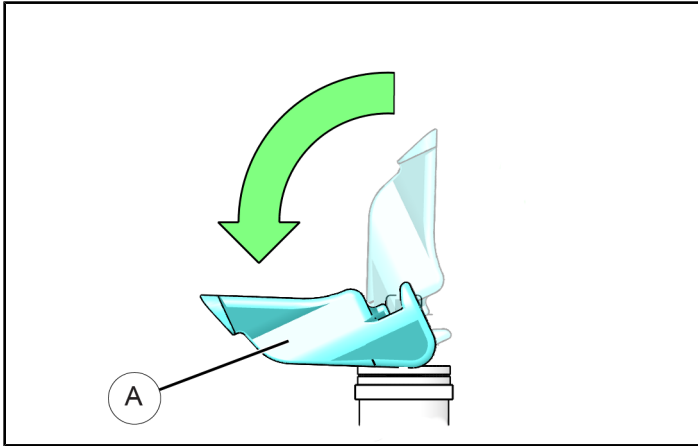
1. Open the Titan Underseat Bag and check to ensure the Lock & Ride anchor handles (A) inside the bag are in the "UNLOCKED" or upright position as seen below.



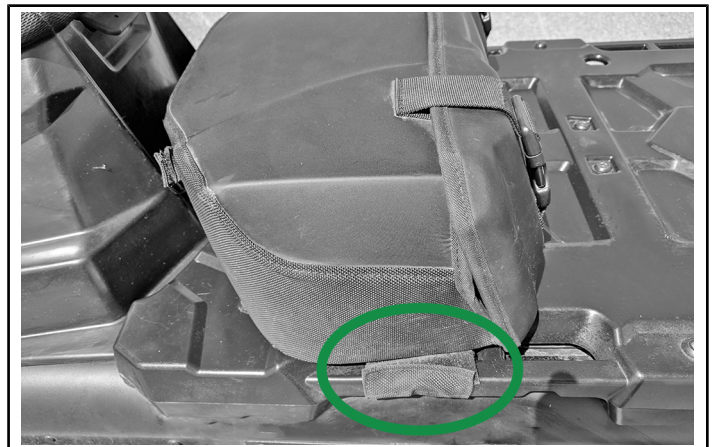
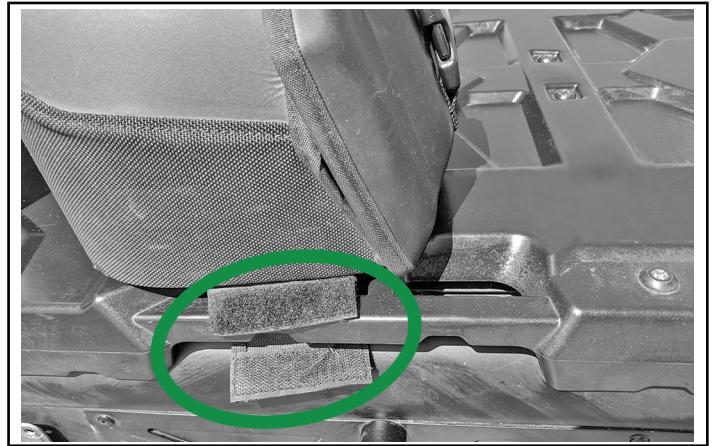
2. Place Underseat Bag (1) into position. Ensure the Lock & Ride anchors are seated fully into the two forward-most attachment holes (B) in the rear cargo platform.



3. Once in position, reach into bag and rotate the Lock & Ride anchor handles (A) down into the "LOCKED" position as shown below.



4. Secure the hook and loop fastener panels through the openings in the rear cargo platform on each side of the bag as shown.



FEEDBACK FORM

A feedback form has been created for the installer to provide any comments, questions or concerns about the installation instructions. The form is viewable on mobile devices by scanning the QR code or by clicking [HERE](#) if viewing on a PC.

FEEDBACK FORM

