

# AXYS HOOD KIT



**P/N 2882131**

## APPLICATION

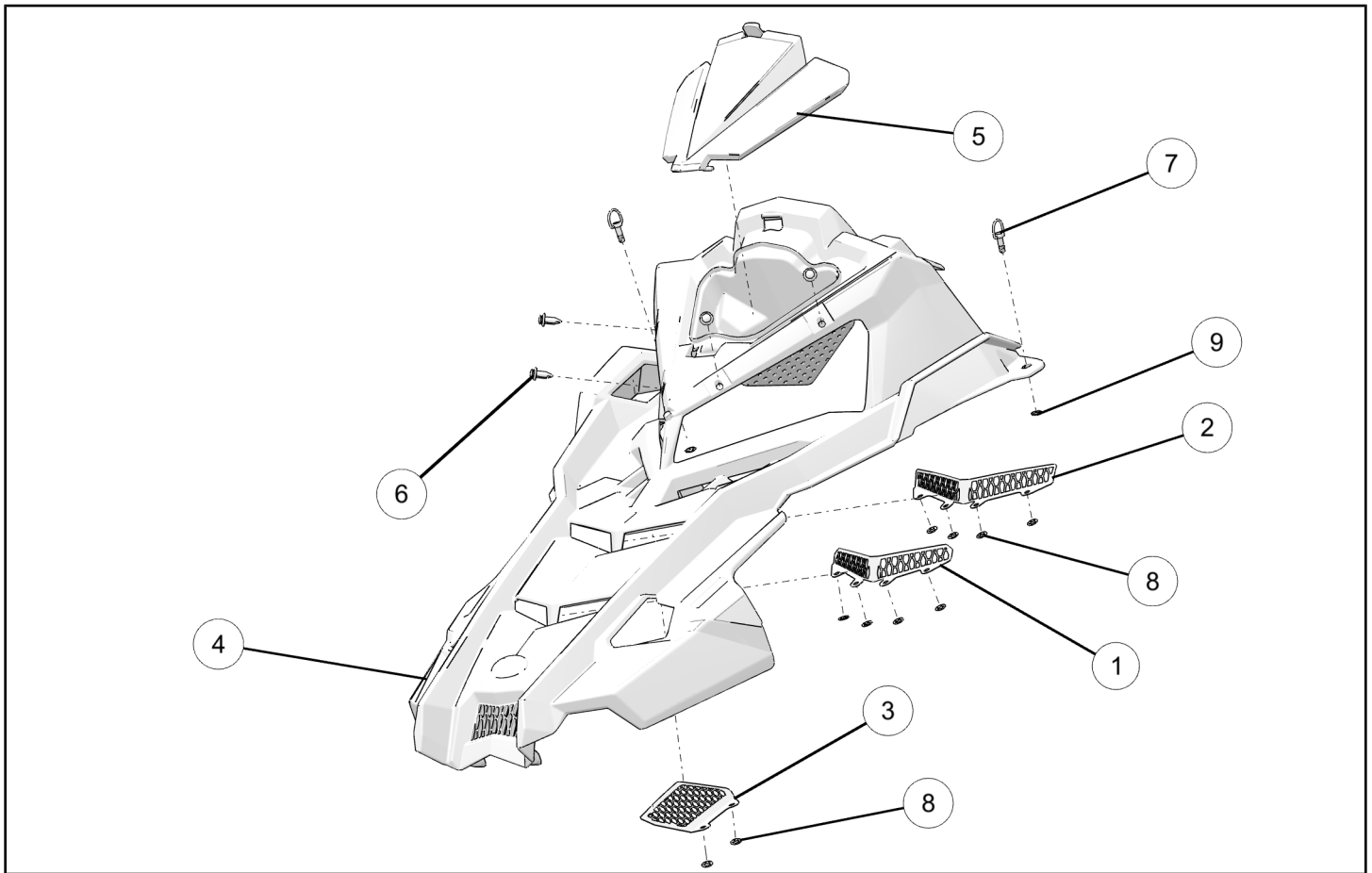
All Axys Snowmobiles

## BEFORE YOU BEGIN

Read these instructions and check to be sure all parts and tools are accounted for. Please retain these installation instructions for future reference and parts ordering information.

## KIT CONTENTS

This Kit includes:



REF	QTY	PART DESCRIPTION	PART NUMBER
1	1	Front Screen, Hood	5257642
2	1	Middle Screen, Hood	5257643
3	1	Upper Vent, Hood	5258828
4	1	Hood	5451237
5	1	Storage Lid	5451241
6	4	Rivet, Tuflock - 0.315 X 0.325 X 0.787	7661855
7	2	Stud - 1/4 Turn - 6mm X 16mm	7661969
8	10	Retainer	7670154

REF	QTY	PART DESCRIPTION	PART NUMBER
9	2	Retainer - 1/4 Turn	7710634
10	1	Foam Kit (Not Shown)	2635485
	1	Instructions	9927295

## TOOLS REQUIRED

- Safety Glasses
- 10mm Wrench
- 3/8" Deep Well Socket
- Side Cutter
- Adjustable Wrench

## IMPORTANT

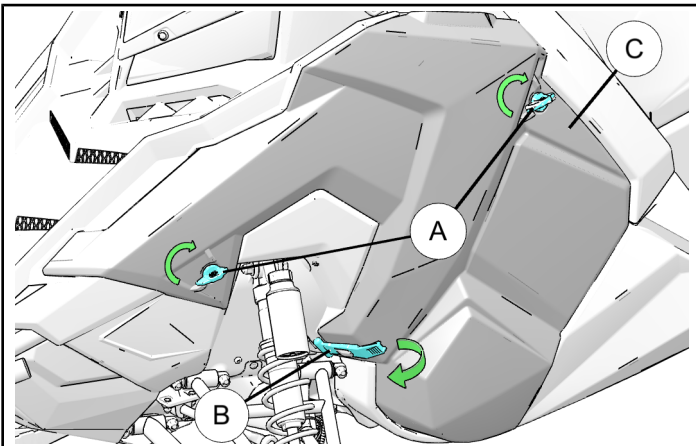
Your AXYS HOOD KIT is exclusively designed for your vehicle. Please read the installation instructions thoroughly before beginning. Installation is easier if the vehicle is clean and free of debris. For your safety, and to ensure a satisfactory installation, perform all installation steps correctly in the sequence shown.

## ASSEMBLY TIME

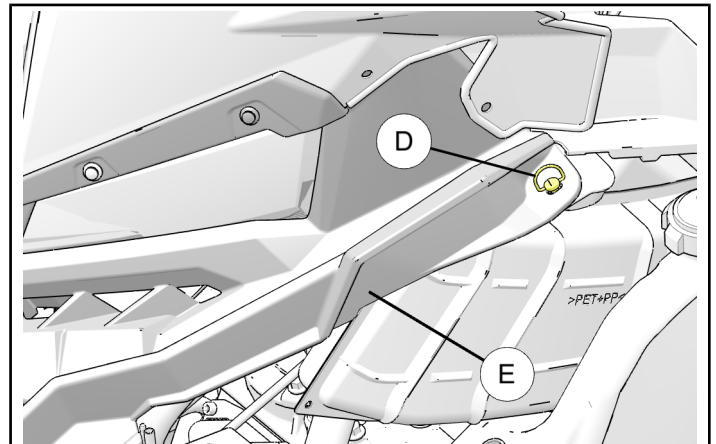
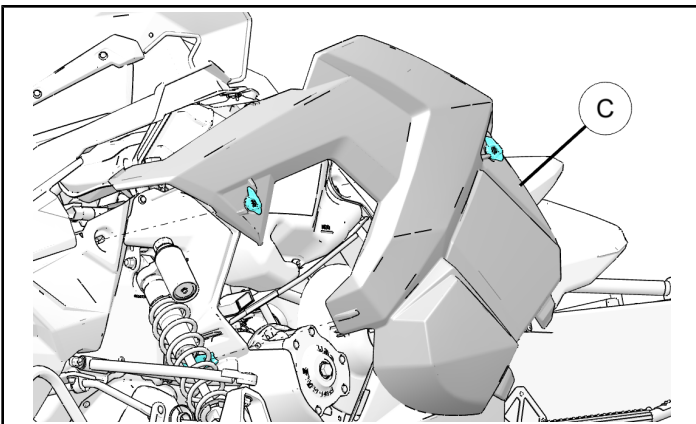
Approximately 1 hr.

## INSTALLATION INSTRUCTIONS

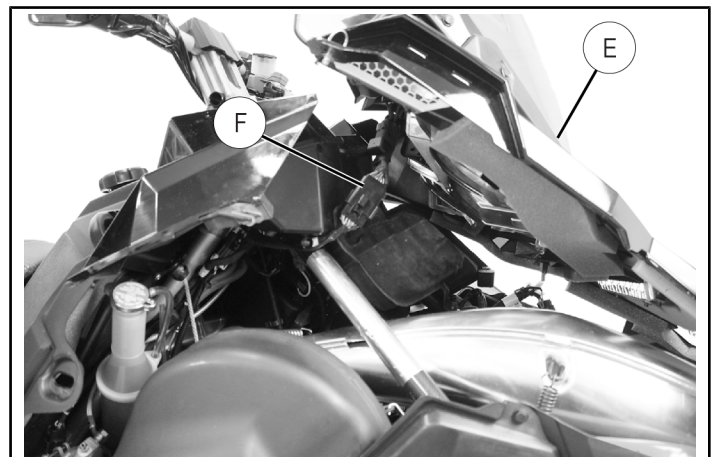
1. Rotate two latches (A) at the front and rear of the panel (C) and release the strap (B) at the lower edge of the panel.
3. Rotate 1/4 turn fasteners (D) at the rear corners of the hood (E).



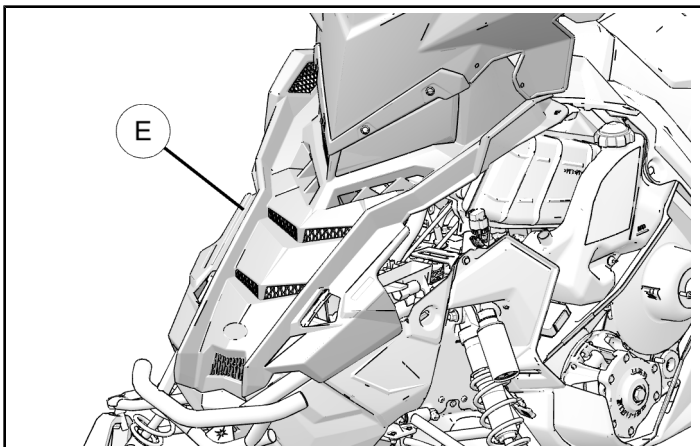
2. Open the side panel (C), then pull the panel outward to release the tabs at the bottom. Repeat the same for removing side panel on other side of vehicle.



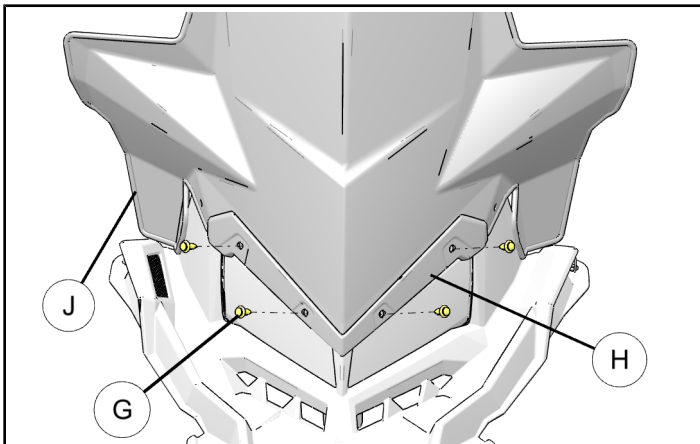
4. Disconnect the hood wire harness connector (F).



5. Remove hood assembly (E) from the vehicle.



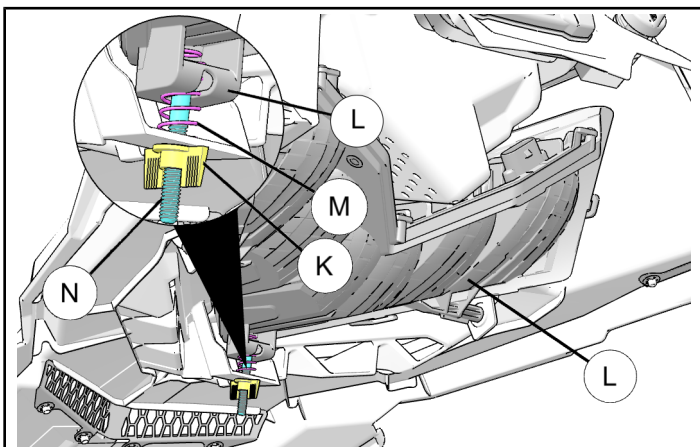
6. Using a side cutter, pry the center of the push pins out. Remove four plastic push pins (G) from windshield bezel (H) and remove bezel (H) and windshield (J).



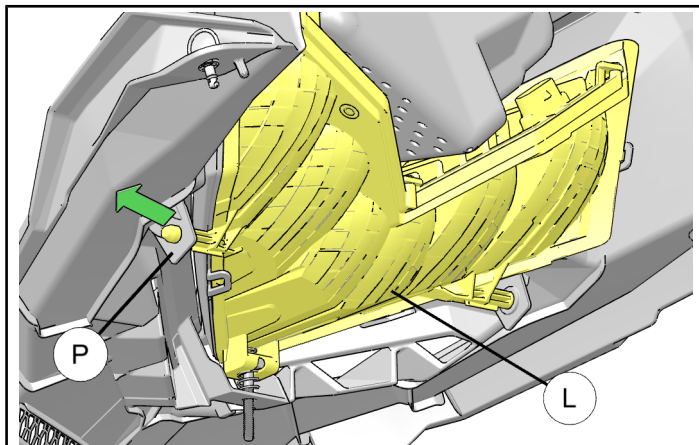
7. Remove headlight adjuster nut (K). Push down on headlight (L) and remove spring (M) and tee bolt (N) from headlight. Retain hardware for reuse.

#### NOTE

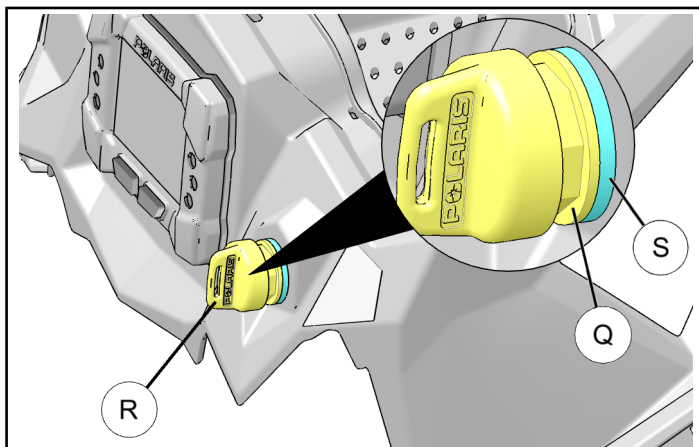
Measure the amount of threads protruding past the nut (K) as a reference when installing headlight onto the new hood.



8. Carefully push headlight (L) to the side while gently pushing on the opposite pivot tab (P) enough to release headlight from pivot tab (P) as shown. Disconnect headlight electrical connector and remove headlight from the hood.



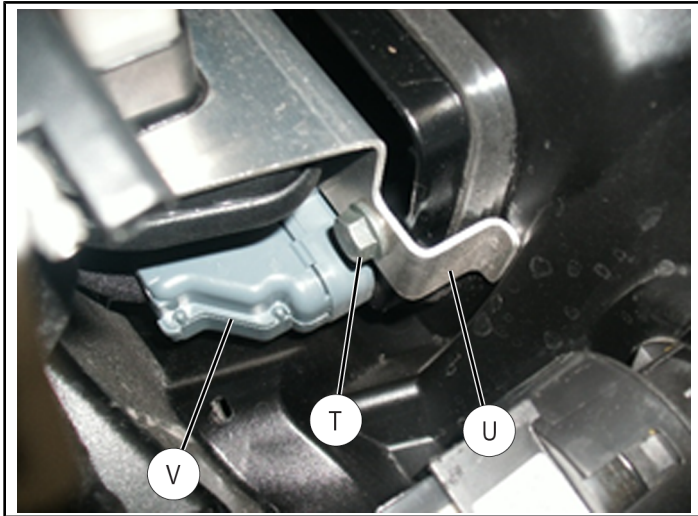
9. Using an adjustable wrench remove the ignition switch nut (Q) from switch (R). Remove spacer (S) from switch and remove switch from the hood. Retain nut, spacer and switch for reuse.



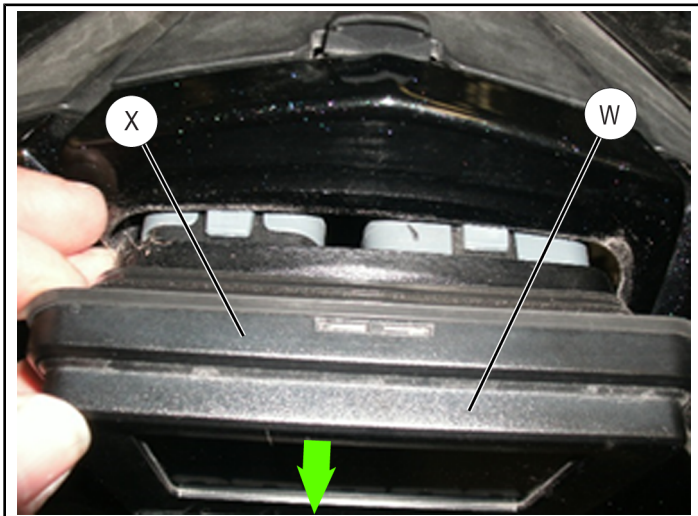
#### NOTE

If your sled is equipped with PIDD (Polaris Interactive Digital Display) gauge follow Step 10 and Step 11 to remove the PIDD gauge from the hood. If your sled is equipped with factory installed gauge, follow Step 11 to remove the gauge from the hood.

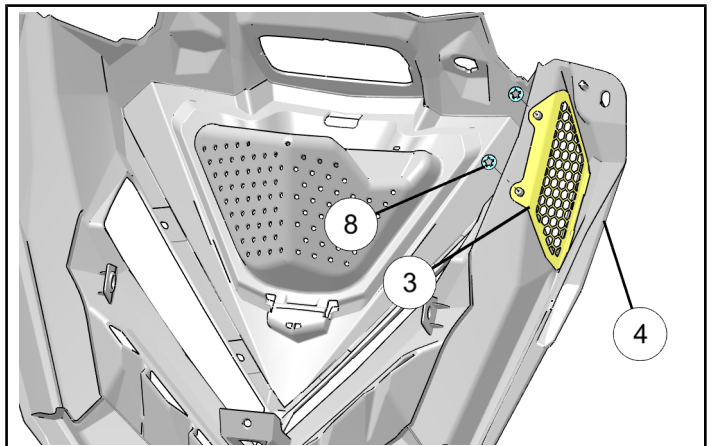
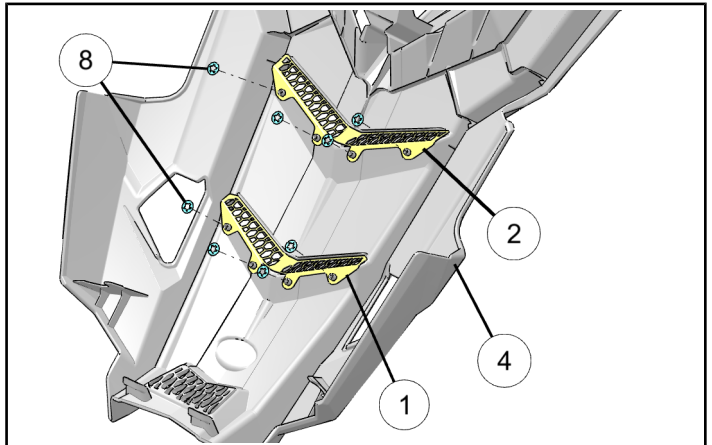
10. Using a 10mm wrench remove two screws (T) holding the GPS sensor/gauge mounting bracket (U) on the hood. Unplug GPS antenna electrical connector (V) and remove antenna and bracket (U). Retain screws and bracket for reinstallation of PIDD gauge on new hood.



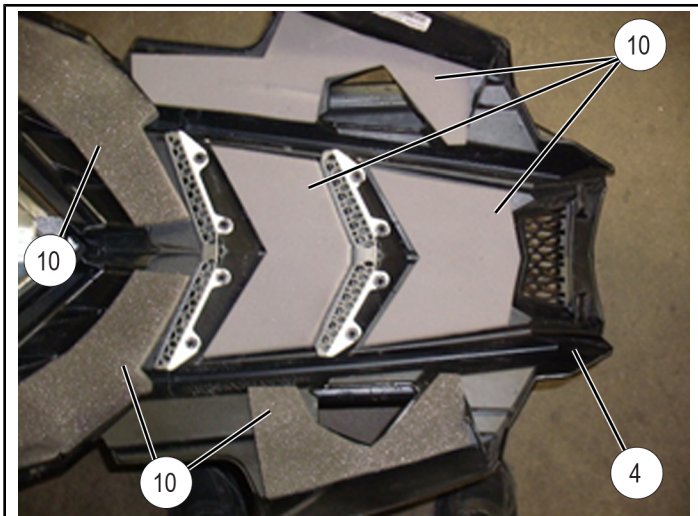
11. From inside the hood, push on rear of gauge (W) and remove gauge and gasket (X) from the hood.



12. Install front and middle hood screens (1) (2) and upper vent (3) into the hood openings. Using a 3/8" deep well socket gently tap retainers (8) onto round tabs in hood to secure screens and upper vent in place.



13. Install six foam insulation pieces and 4 fabric patches from the foam kit ⑩ in the locations as shown on the hood ④.



14. Reinstall the gauge into the hood ④. If your sled is equipped with PIDD gauge, install GPS antenna mounting bracket (U) using two screws (T). Install PIDD gauge/sensor onto the mounting bracket (U).

#### TIP

Use of soapy water on rubber gasket aids in easy installation of gauge into the hood ④.

## FEEDBACK FORM

A feedback form has been created for the installer to provide any comments, questions or concerns about the installation instructions. The form is viewable on mobile devices by scanning the QR code or by clicking [HERE](#) if viewing on a PC.

15. Plug in the gauge connector. If equipped with PIDD gauge, plug in GPS antenna electrical connector (V).

16. Reinstall spacer (S), ignition switch nut (Q), and switch (R) onto the hood ④.

17. Install headlight removed in Step 7 and Step 8.

#### NOTE

Adjust the nut (K) to dimension as noted in Step 7.

18. Install bezel (H) and windshield (J) onto the hood ④ using rivets ⑥.

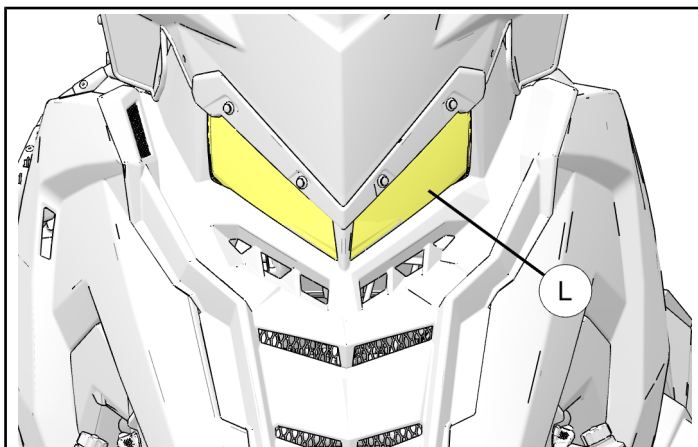
19. Connect all hood harness electrical connections.

20. Reconnect wire harness connector (F) and install hood ④ onto the sled using two studs ⑦. Reinstall side panels (C) on both sides of sled.

#### CAUTION

The hood and side panels protect the operator from moving parts. Never operate a snowmobile with the side panels open or removed. Always ensure that the hood and side panels are installed and securely latched before starting the engine.

21. Adjust the headlight (L) by referring to service manual.



#### FEEDBACK FORM

