

AXYS PRO RMK / SKS SEAT SUPPORT KIT



P/N 2881438

APPLICATION

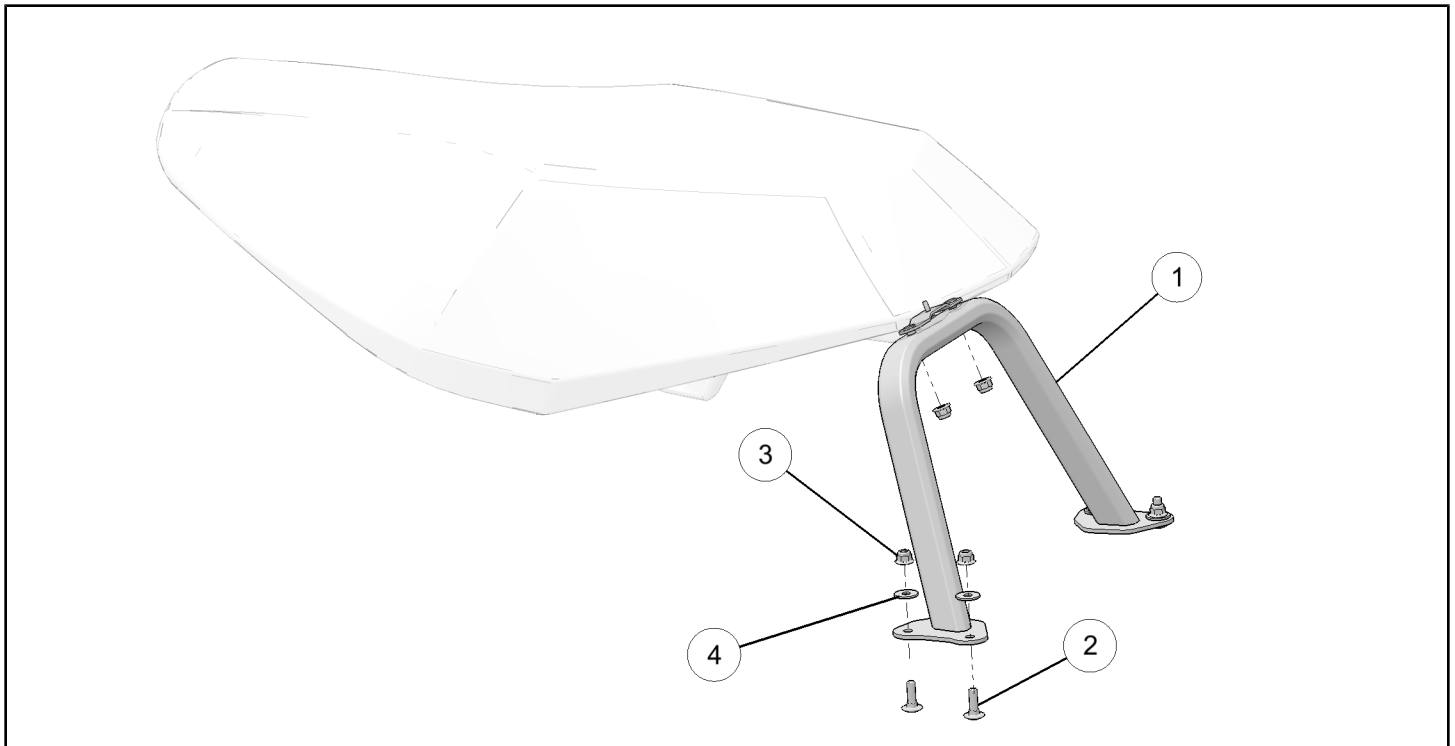
All AXYS Platforms 155" and longer

BEFORE YOU BEGIN

Read these instructions and check to be sure all parts and tools are accounted for. Please retain these installation instructions for future reference and parts ordering information.

KIT CONTENTS

This Kit includes:



REF	QTY	PART DESCRIPTION	PART NUMBER
1	1	Seat Support	1021960
2	4	Carriage Bolt - M6 X 1.0 X 20 mm	7518994
3	6	Nut - M6 X 1.0 HXFL	7547453
4	4	Washer - 6.4 X 18 X 1.6	7556064
	1	Instructions	9926332

TOOLS REQUIRED

- 10 mm Socket
- 10 mm Wrench

IMPORTANT

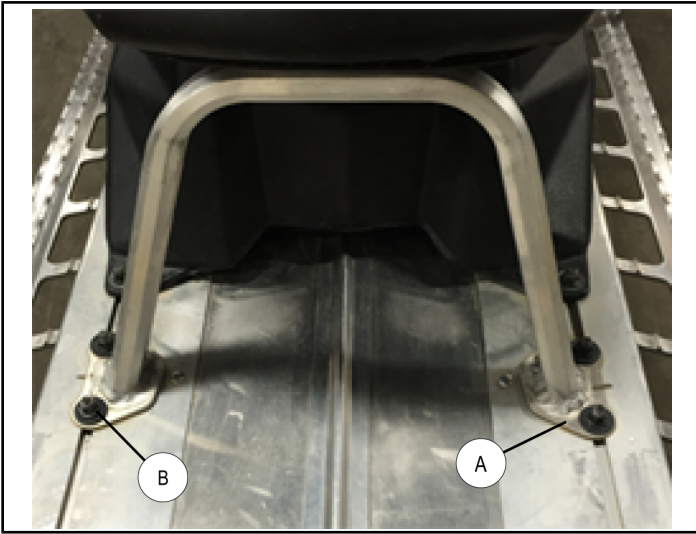
Your AXYS PRO RMK / SKS SEAT SUPPORT KIT is exclusively designed for your vehicle. Please read the installation instructions thoroughly before beginning. Installation is easier if the vehicle is clean and free of debris. For your safety, and to ensure a satisfactory installation, perform all installation steps correctly in the sequence shown.

ASSEMBLY TIME

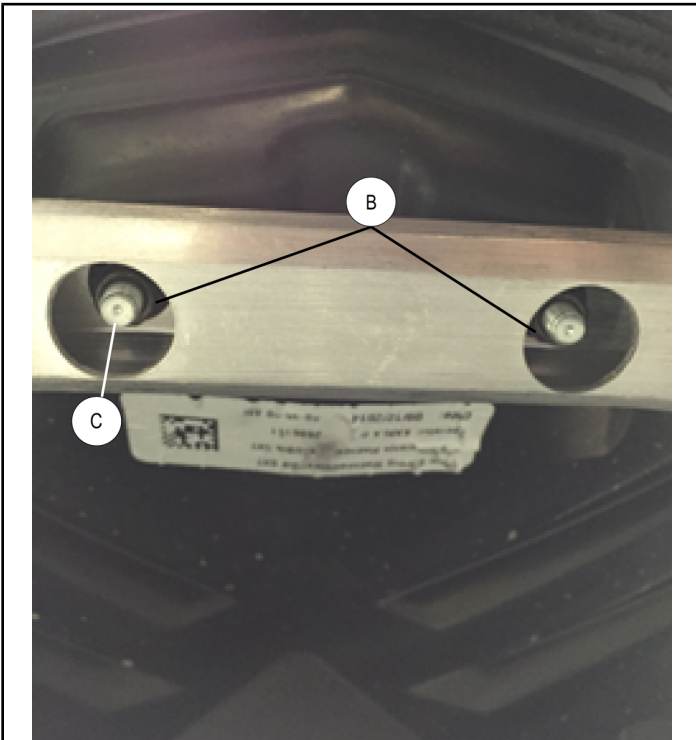
Approximately 15 minutes

INSTALLATION INSTRUCTIONS

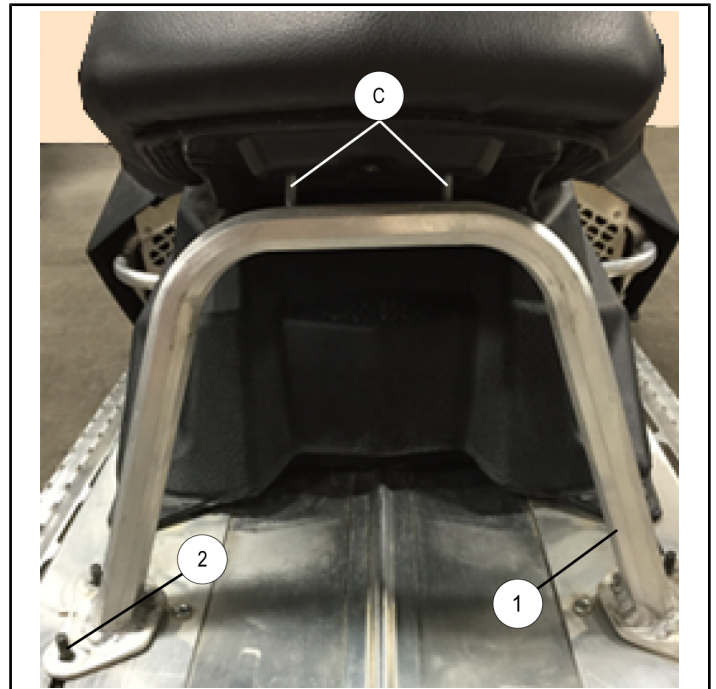
1. Remove four M6 X 1.0 mm nuts (B) from seat support plate (A).



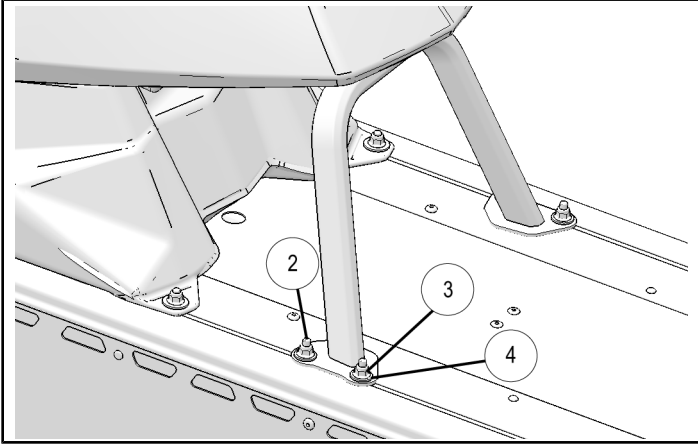
2. Remove two M6 X 1.0 mm nuts (B) from seat base bolts (C).



3. Remove seat support.
4. Place new carriage bolts (2) into mounting location in tunnel T-slot.
5. Place seat base bolts (C) through top of new seat support (1).



6. Place new seat support onto carriage bolts ②. Install nuts ③ and washers ④ from top to secure seat support.



7. Ensure seat is properly placed onto fuel tank and seat support is flat to tunnel.
8. Tighten two M6 X 1.0 mm nuts ③ onto seat screws.

TORQUE
8 ft. lbs. (10.84 Nm)

9. Tighten four M6 X 1.0 mm nuts ③ onto seat support base plates.

TORQUE
8 ft. lbs. (10.84 Nm)