

TITAN™ BALL HITCH KIT



P/N 2882813

APPLICATION

Verify accessory fitment at Polaris.com.

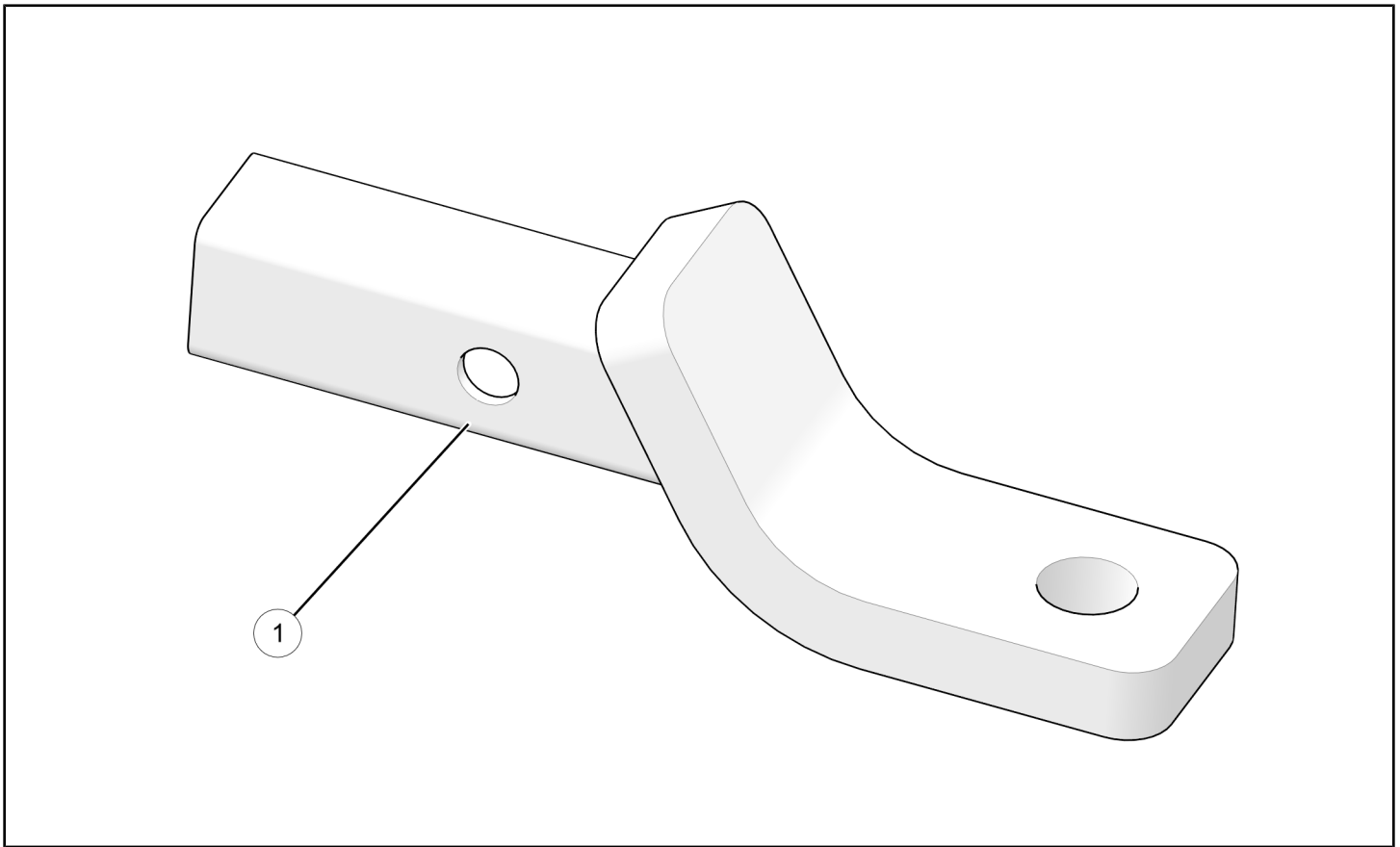
BEFORE YOU BEGIN

Read these instructions and check to be sure all parts and tools are accounted for. Please retain these installation instructions for future reference and parts ordering information.

KIT CONTENTS

This kit contains parts for installation of the Titan Ball Hitch only. Prior installation of the Titan 1.25" Receiver Kit, PN 2882795, is also required (sold separately).

This Kit includes:



REF	QTY	PART DESCRIPTION	PART NUMBER
1	1	Ball Hitch	1023492
	1	Instructions	9928238

NOTE

The Titan Ball Hitch is ONLY compatible with tow hitch balls with a 3/4" shank diameter.

TOOLS REQUIRED

None

IMPORTANT

Your Titan™ Ball Hitch Kit is exclusively designed for your vehicle. Please read the installation instructions thoroughly before beginning. Installation is easier if the vehicle is clean and free of debris. For your safety, and to ensure a satisfactory installation, perform all installation steps correctly in the sequence shown.

ASSEMBLY TIME

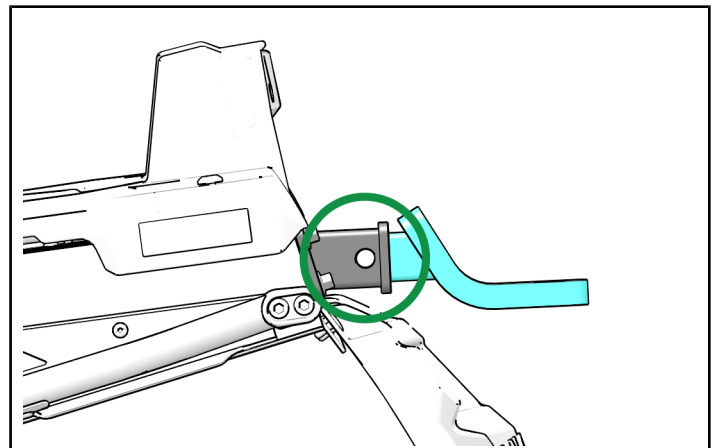
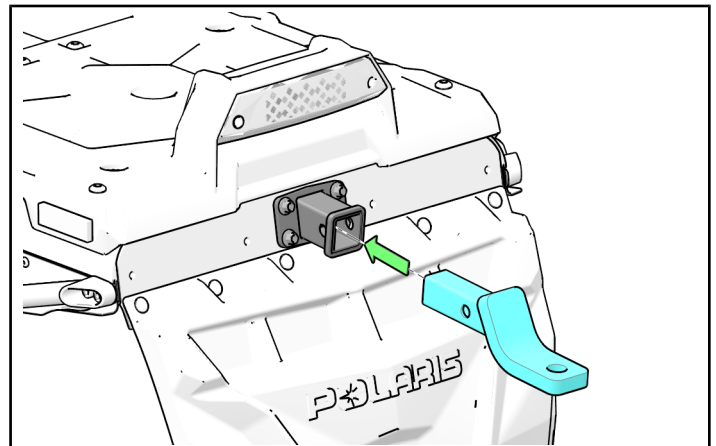
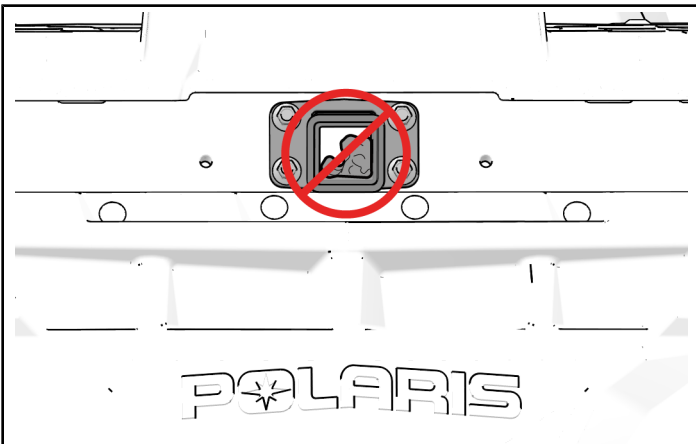
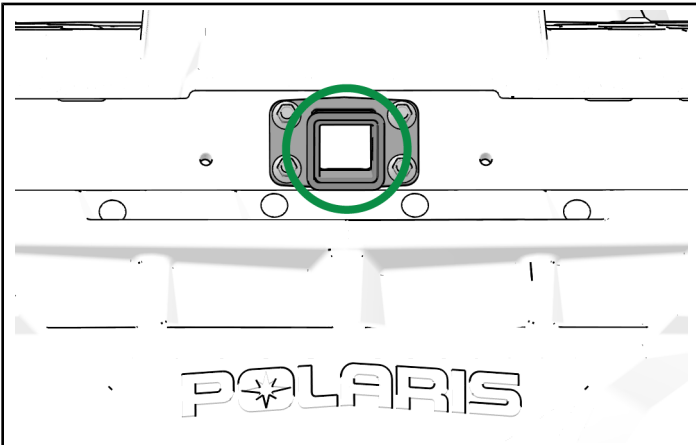
Approximately 6 minutes

NOTE

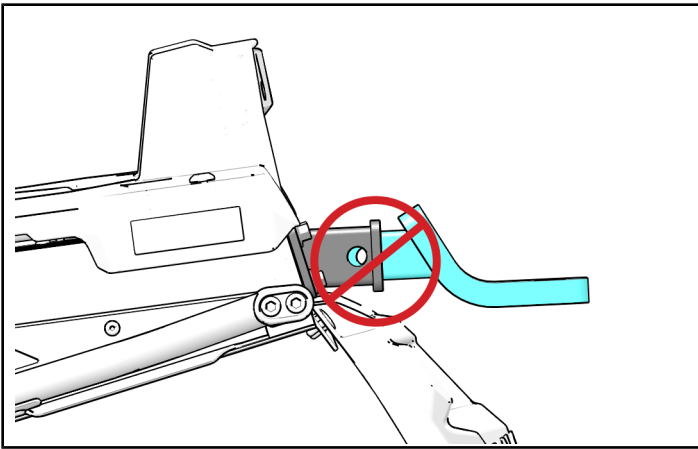
Additional time may be required for optional steps, or to accommodate other installed accessories.

INSTALLATION INSTRUCTIONS

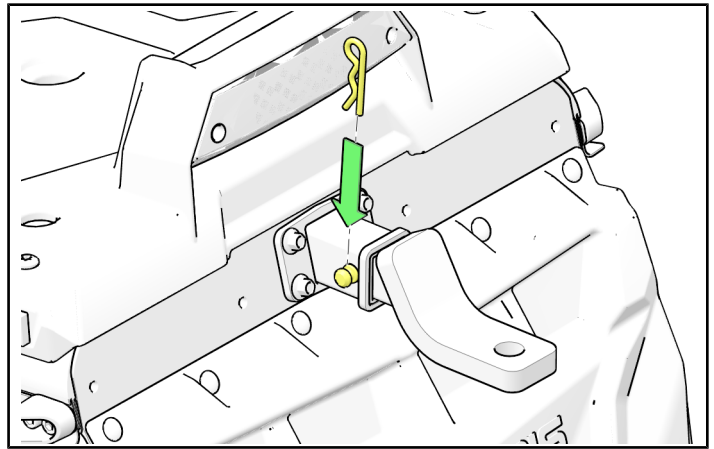
1. Check to be sure the Titan 1.25" Receiver is clean and free of any debris or obstructions that may prevent the Titan Ball Hitch from being fully inserted or cause it to become lodged in the receiver.
2. Insert the Titan Ball Hitch ① into the receiver until the hitch pin holes line up.



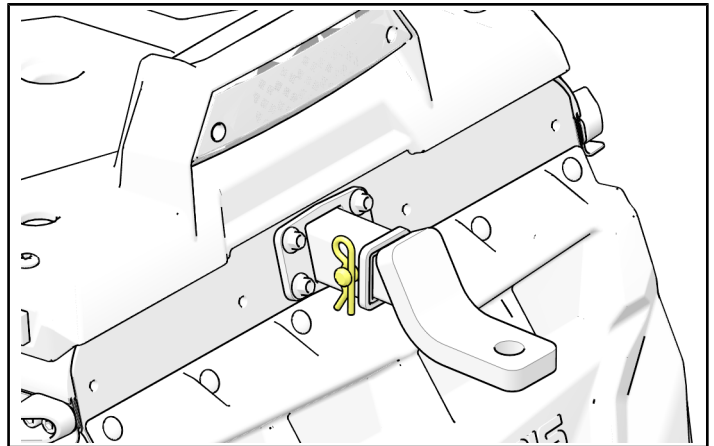
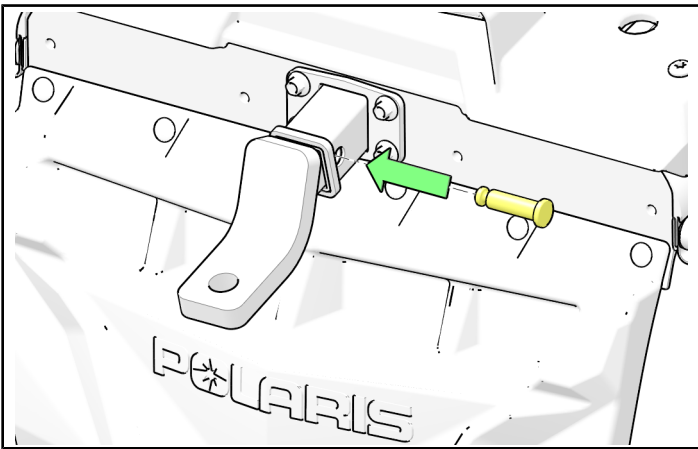
(Step 2 Cont'd.)



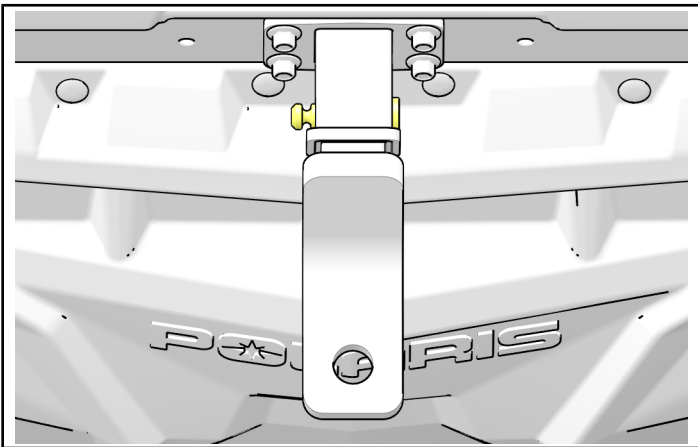
(Step 3 Cont'd.)



3. Fully insert the hitch pin and secure in place using the cotter pin that was provided with your Titan Ball Hitch Receiver Kit (PN 2882795).



4. Ensure all steps are complete and the Titan Ball Hitch is secure.



FEEDBACK FORM

A feedback form has been created for the installer to provide any comments, questions or concerns about the installation instructions. The form is viewable on mobile devices by scanning the QR code or by clicking [HERE](#) if viewing on a PC.

