

TITAN™ ADAPTER HITCH KIT



P/N 2882814

APPLICATION

Verify accessory fitment at Polaris.com.

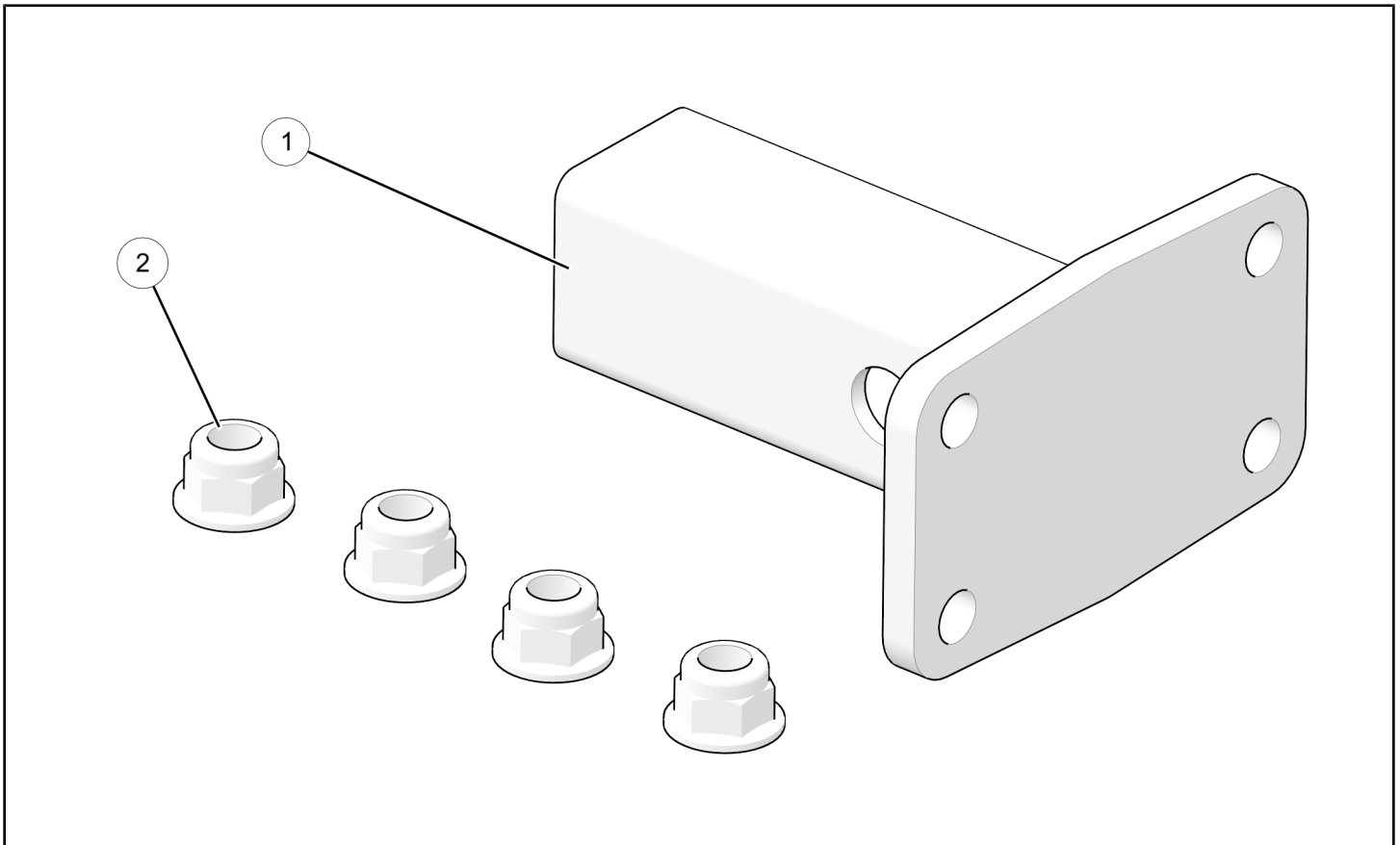
BEFORE YOU BEGIN

Read these instructions and check to be sure all parts and tools are accounted for. Please retain these installation instructions for future reference and parts ordering information.

KIT CONTENTS

This kit contains parts for installation of the Titan Adapter Hitch only. Prior installation of the Titan 1.25" Receiver Kit, PN 2882795, is also required (sold separately).

This Kit includes:



REF	QTY	PART DESCRIPTION	PART NUMBER
1	1	Adapter Hitch	1023507-458
2	4	Nut, Hex Flange - M8 X 1.25	7547317
	1	Instructions	9928246

TOOLS REQUIRED

None

IMPORTANT

Your Titan™ Adapter Hitch Kit is exclusively designed for your vehicle. Please read the installation instructions thoroughly before beginning. Installation is easier if the vehicle is clean and free of debris. For your safety, and to ensure a satisfactory installation, perform all installation steps correctly in the sequence shown.

ASSEMBLY TIME

Approximately 6 minutes

NOTE

Additional time may be required for optional steps, or to accommodate other installed accessories.

INSTALLATION INSTRUCTIONS

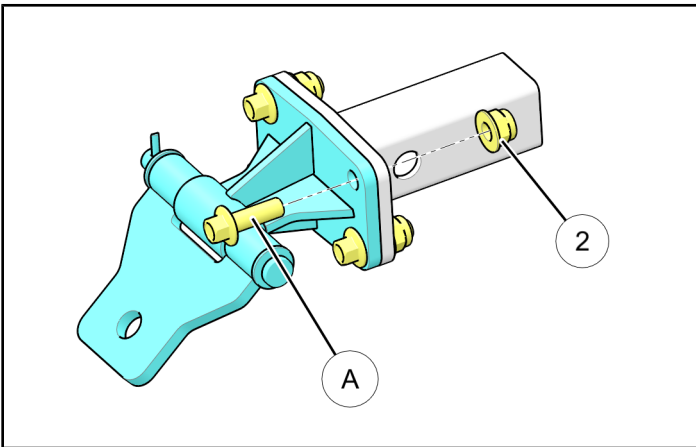
Your Titan Adapter Hitch is designed to accommodate additional accessories such as the stock Forged Hitch PN 1023736 and the Flapper Hitch PN 2882812. Installation procedures are the same for both accessories.

NOTE

It may be easier to install the optional accessories prior to installing the Titan Adapter Hitch onto the vehicle. See instruction below for optional accessory installation.

OPTIONAL ACCESSORY INSTALLATION

1. Place either the Forged Hitch assembly or the Flapper Hitch assembly (shown) into position as indicated making sure the four mounting holes are aligned.



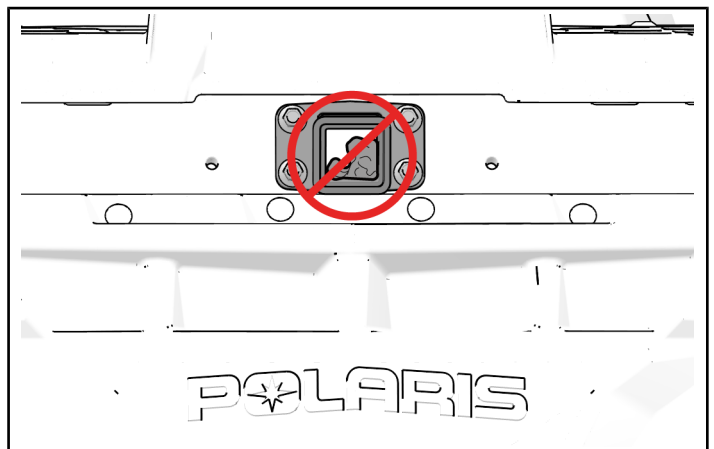
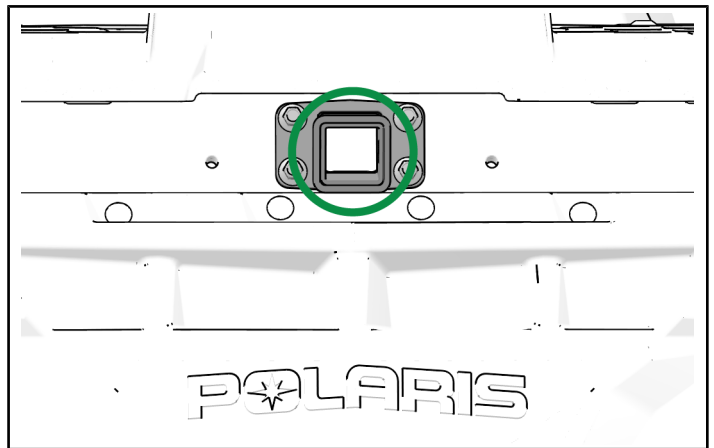
2. Insert the four screws (A) that came with your optional accessory kit and secure using the supplied locking nuts provided with your Titan Adapter hitch.
3. Torque to specification below.

TORQUE

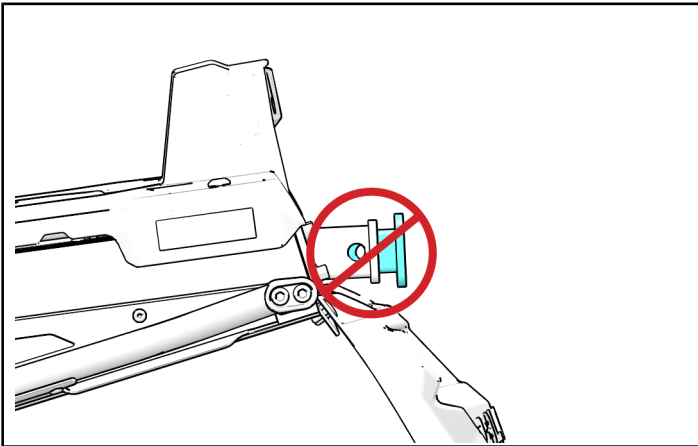
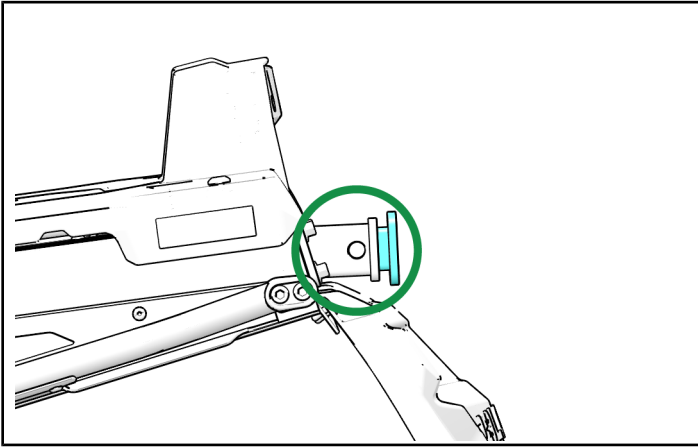
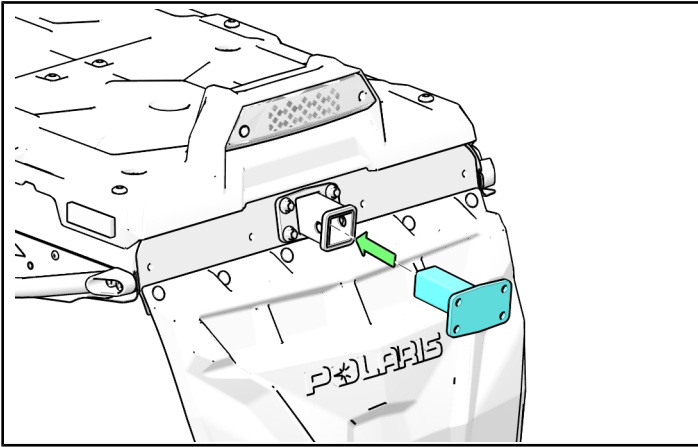
20 ft/lbs (27 Nm)

ADAPTER HITCH INSTALLATION

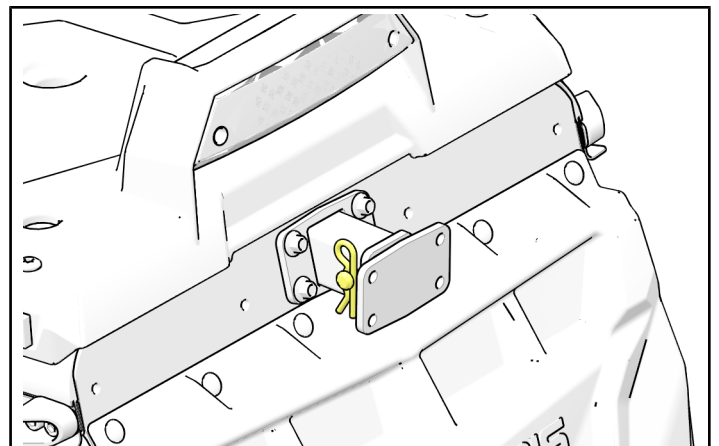
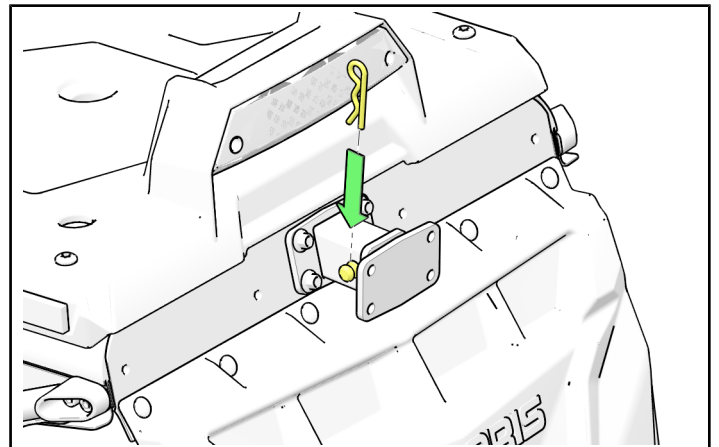
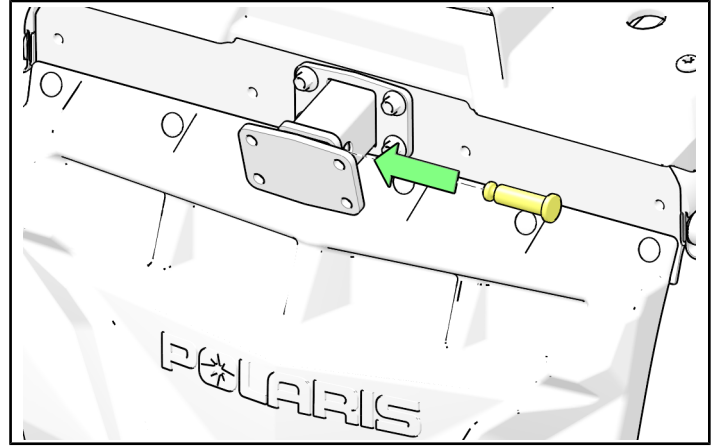
1. Check to be sure the Titan 1.25" Receiver is clean and free of any debris or obstructions that may prevent the Titan Adapter Hitch from being fully inserted or cause it to become lodged in the receiver.



2. Insert the Titan Adapter Hitch ① into the receiver until the hitch pin holes line up.



3. Fully insert the hitch pin and secure in place using the cotter pin that was provided with your Titan 1.25" Receiver Kit (PN 2882795).



4. Ensure all steps are complete and the Titan Adapter Hitch is secure.

FEEDBACK FORM

A feedback form has been created for the installer to provide any comments, questions or concerns about the installation instructions. The form is viewable on mobile devices by scanning the QR code or by clicking [HERE](#) if viewing on a PC.

