

VOYAGEUR J HOOK HITCH KIT



P/N 2882918

APPLICATION

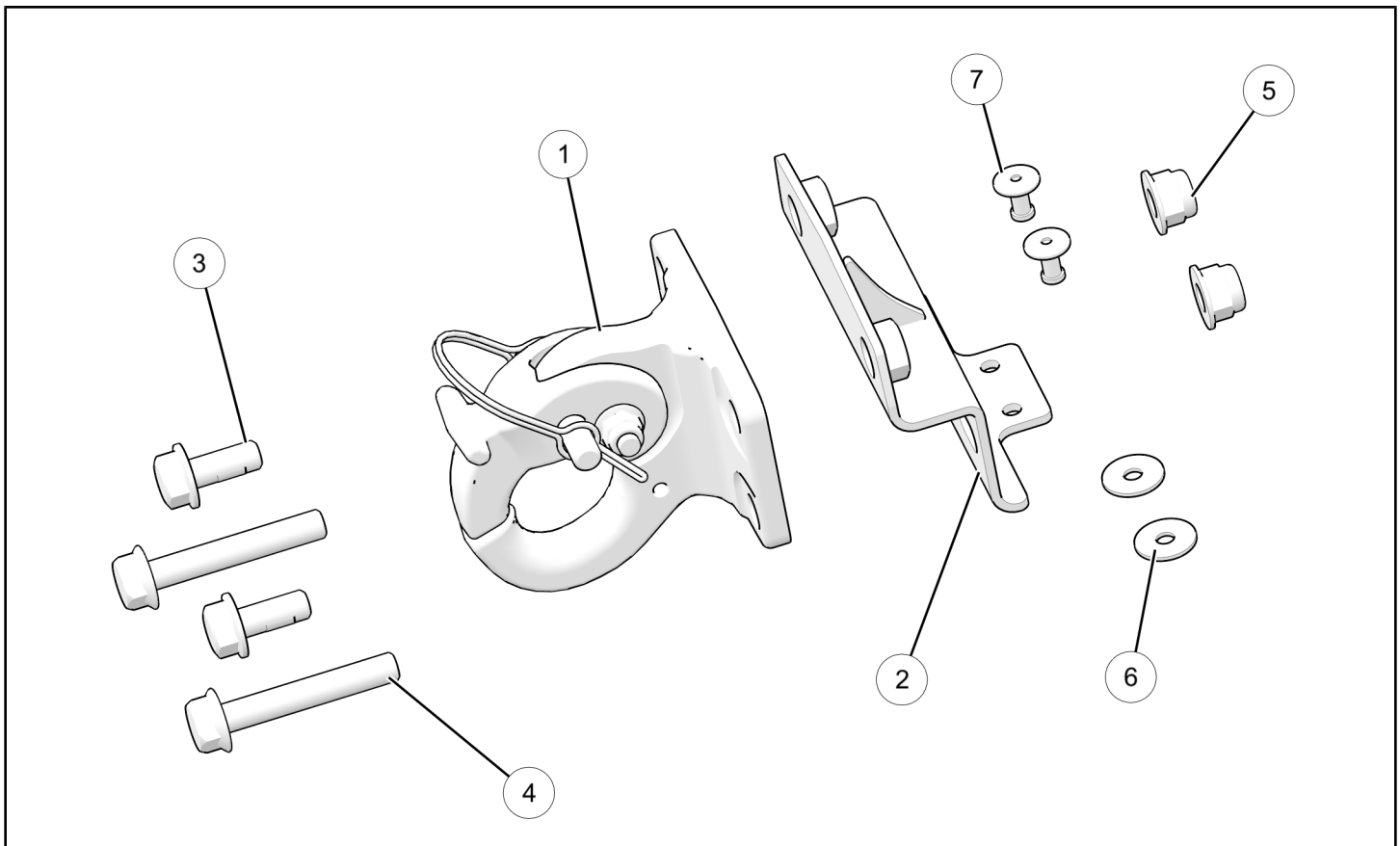
Verify accessory fitment at Polaris.com.

BEFORE YOU BEGIN

Read these instructions and check to be sure all parts and tools are accounted for. Please retain these installation instructions for future reference and parts ordering information.

KIT CONTENTS

This Kit includes:



REF	QTY	PART DESCRIPTION	PART NUMBER
1	1	Forged Hitch w/Pin	1023736
2	1	Hitch Adaptor - 144	1023413
3	2	Screw-HXFL-M8X1.25X20	7518450
4	2	Screw-M8X1.25X50	7520105
5	2	Nut-M8X1.25, HXFLG, Nylon Ins	7547317
6	2	Washer-.20X.67X.048-M	7556034
7	2	Rivet-Pop 3/16(.251-.375)	7621433
	1	Instructions	9928205

TOOLS REQUIRED

- Safety Glasses
- Wrench Set, Metric
- Pop Rivet Puller
- Socket Set, Metric
- Drill
- Drill Bit: 3/16 inch

IMPORTANT

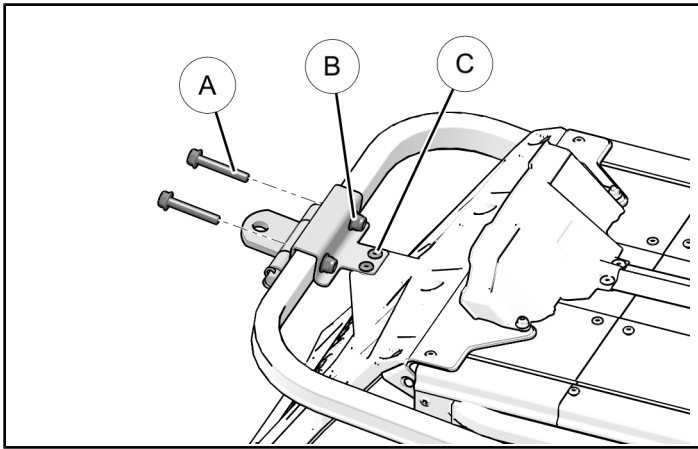
Your Voyager J Hook Hitch Kit is exclusively designed for your vehicle. Please read the installation instructions thoroughly before beginning. Installation is easier if the vehicle is clean and free of debris. For your safety, and to ensure a satisfactory installation, perform all installation steps correctly in the sequence shown.

ASSEMBLY TIME

Approximately 18 minutes

INSTALLATION INSTRUCTIONS

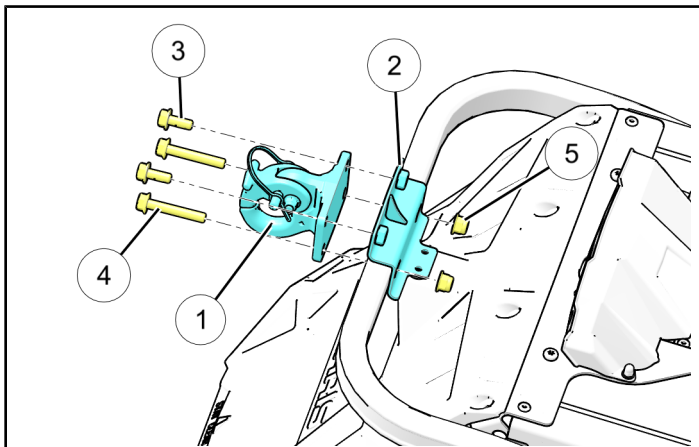
1. If your vehicle is equipped with a standard hitch, you will need to remove it by removing the two bolts **A**, locking nuts **B** and drilling out the two rivets **C** that secure it to the snow flap and rear bumper.



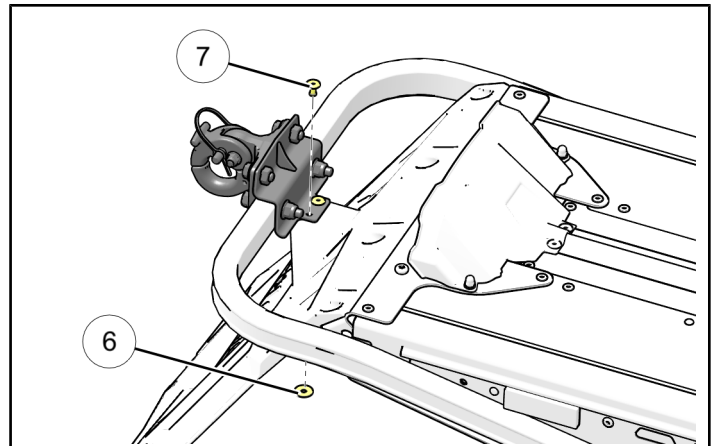
2. Using the provided screws **3/4** and locking nuts **5**, secure the new hitch **1** and adapter **2** to the rear bumper and torque to specification.

TORQUE

20 ft. lbs (27.1 Nm)



3. Using a pop rivet puller and the provided rivets **7** and washers **6**, rivet the hitch adapter to the snow flap.



4. Ensure all tools are accounted for and all steps have been completed.

FEEDBACK FORM

A feedback form has been created for the installer to provide any comments, questions or concerns about the installation instructions. The form is viewable on mobile devices by scanning the QR code or by clicking [HERE](#) if viewing on a PC.

