

# COOLER WHEELS KIT



**P/N 2882180**

## APPLICATION

Verify accessory fitment at [Polaris.com](http://Polaris.com).

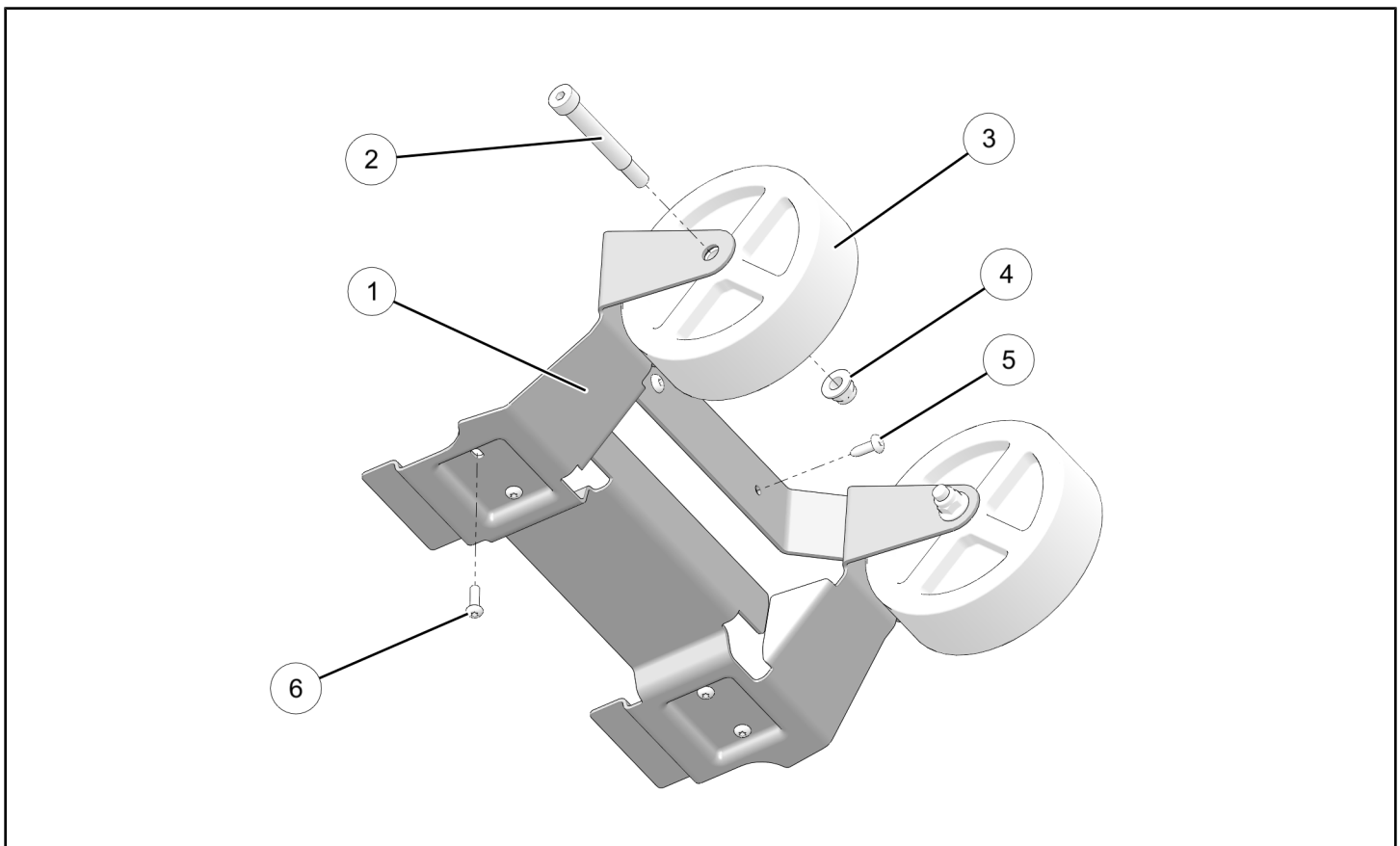
## BEFORE YOU BEGIN

Read these instructions and check to be sure all parts and tools are accounted for. Please retain these installation instructions for future reference and parts ordering information.

## KIT CONTENTS

This kit contains parts for installation of the cooler wheels only. Northstar™ Cooler, 60 Quart, PN 2881259 (or equivalent), is also required (sold separately):

This Kit includes:



REF	QTY	PART DESCRIPTION	PART NUMBER
1	1	Frame	-
2	2	Screw (axle) - M10 X 1.25 X 88	-
3	2	Wheel	-
4	2	Nut, Hex Flange - M10 X 1.25	7547333
5	2	Screw, Self-Tapping Pan Head, Phillips - #14 X 3/4	-

REF	QTY	PART DESCRIPTION	PART NUMBER
6	4	Screw, Torx® Pan Head - M6 X 1.0 X 20	7518616
	1	Instructions	9927342

## TOOLS REQUIRED

- Safety Glasses
- Hex Key Set, Metric
- Screwdriver Set, Torx®
- Socket Set, Metric

## IMPORTANT

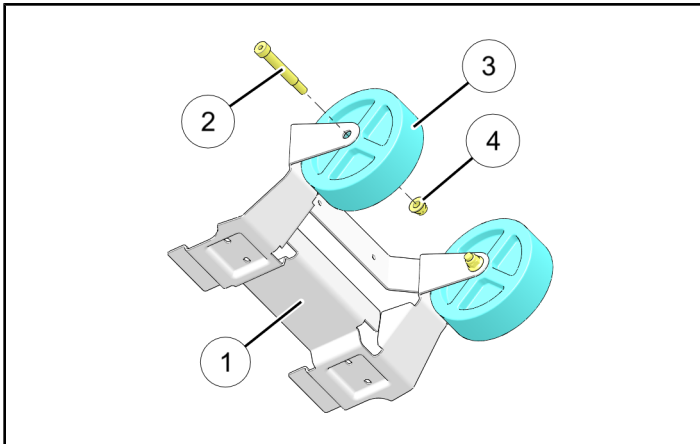
Your Cooler Wheels Kit is exclusively designed for your vehicle. Please read the installation instructions thoroughly before beginning. Installation is easier if the vehicle is clean and free of debris. For your safety, and to ensure a satisfactory installation, perform all installation steps correctly in the sequence shown.

## ASSEMBLY TIME

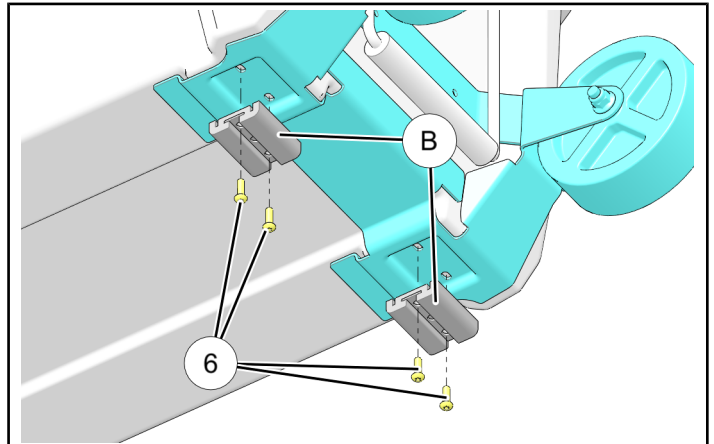
Approximately 5–10 minutes

## INSTALLATION INSTRUCTIONS

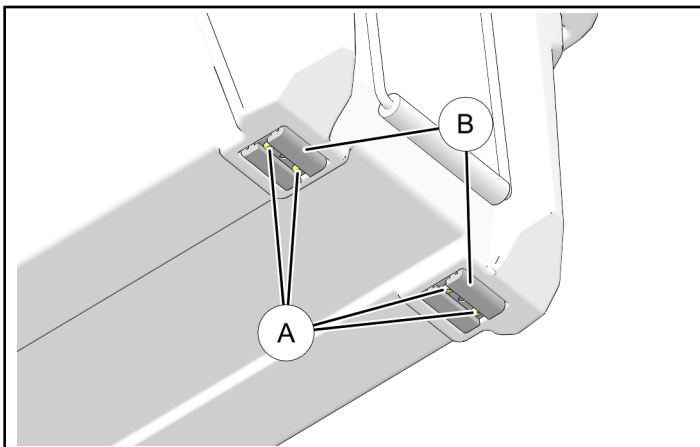
1. Install wheel ③ to frame ① using one each screw ② and nut ④. Repeat for opposite side. Do not overtighten fasteners.



3. Install frame ① to bottom of cooler using two retained pads ⑧ and four new screws ⑥. Do not overtighten screws.



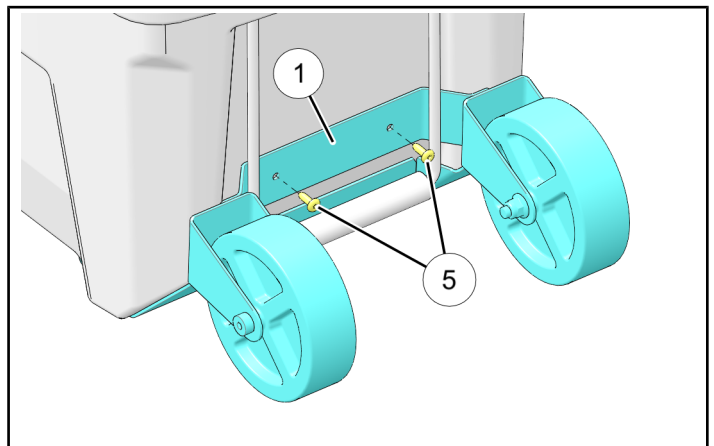
2. At NON-DRAIN end of cooler, remove four screws ⑨ from existing pads ⑧ on bottom of cooler. Remove and retain pads. Screws will not be reused.



4. Install frame ① to end of cooler using two screws ⑤. Do not overtighten screws.

### NOTE

Pre-drilling screw holes is not required.



## FEEDBACK FORM

A feedback form has been created for the installer to provide any comments, questions or concerns about the installation instructions. The form is viewable on mobile devices by scanning the QR code or by clicking [HERE](#) if viewing on a PC.

### FEEDBACK FORM

