

FT2 PASSENGER SEAT SUPPORT KIT



P/N 2883646

APPLICATION

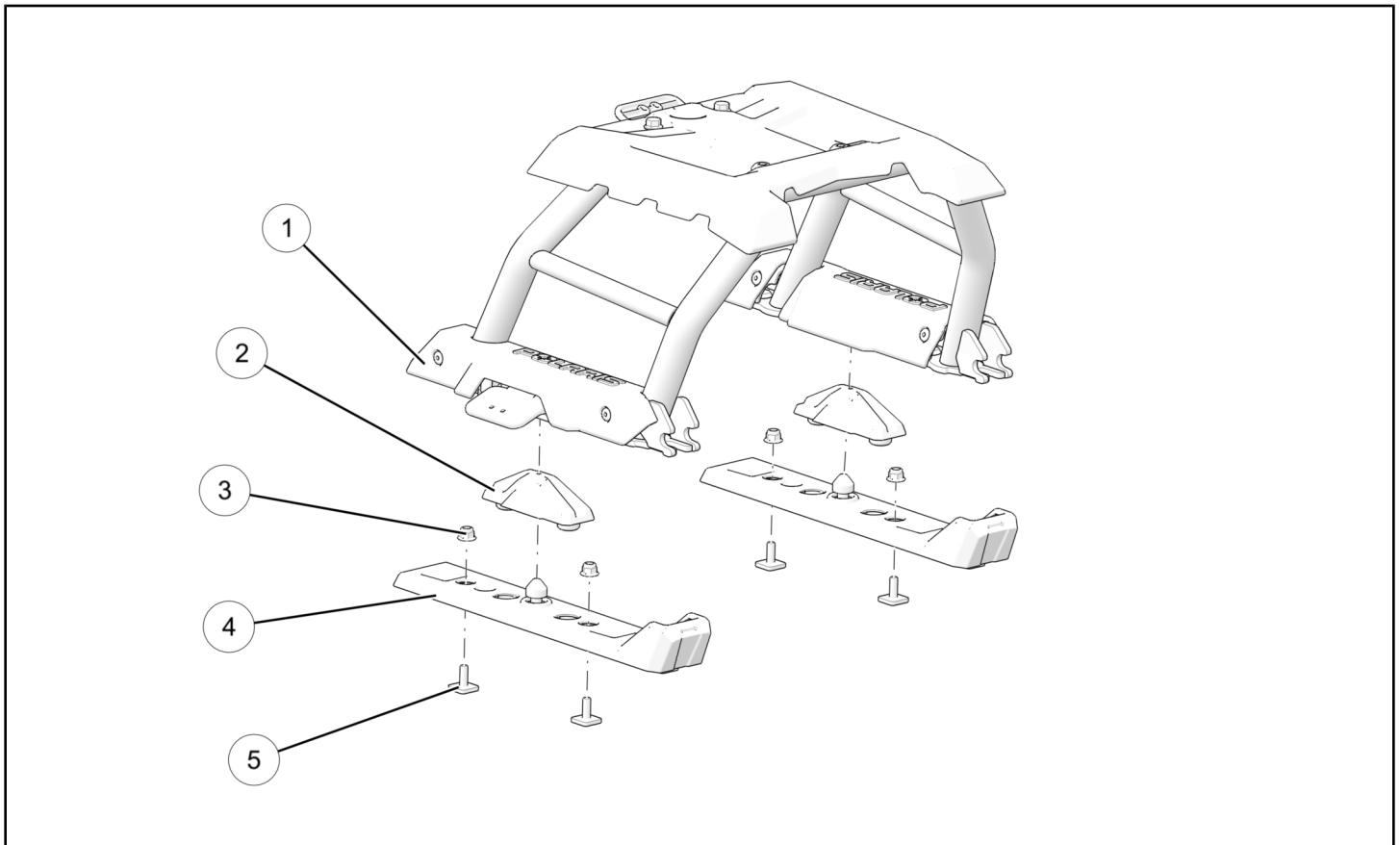
Verify accessory fitment at Polaris.com.

BEFORE YOU BEGIN

Read these instructions and check to be sure all parts and tools are accounted for. Please retain these installation instructions for future reference and parts ordering information.

KIT CONTENTS

This Kit includes:



REF	QTY	PART DESCRIPTION	PART NUMBER
1	1	Passenger Seat Support	1024448
2	2	Latch Pin Cover	5416822
3	6	Locking Nut	7547453
4	2	Tunnel Latch Plate	1024201
5	6	Screw - M6 X 1.0 X 16	7520514
	1	Instructions	9929002

TOOLS REQUIRED

- Safety Glasses
- Socket Set, Metric

CONSUMABLES REQUIRED

- None

IMPORTANT

Your FT2 Passenger Seat Support Kit is exclusively designed for your vehicle. Please read the installation instructions thoroughly before beginning. Installation is easier if the vehicle is clean and free of debris. For your safety, and to ensure a satisfactory installation, perform all installation steps correctly in the sequence shown.

ASSEMBLY TIME

Approximately 18 minutes

NOTE

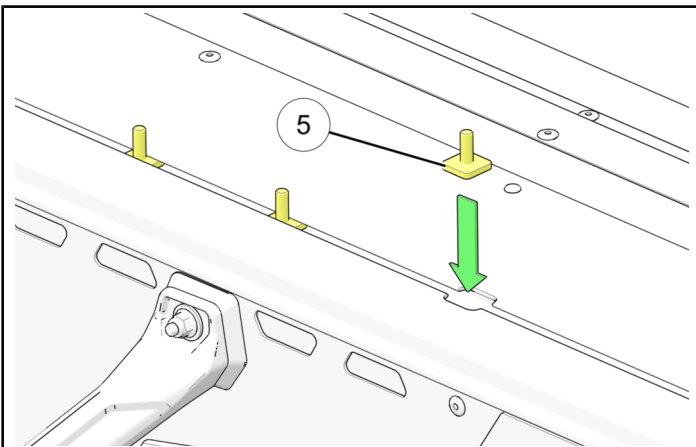
Additional time may be required for optional steps, or to accommodate other installed accessories.

INSTALLATION INSTRUCTIONS

CAUTION

BEFORE STARTING INSTALLATION, always ensure vehicle is on a flat stable surface and is properly secured to avoid accidental tipping or other movement in order to prevent personal injury and/or damage to equipment. If applicable, turn key to "OFF" position and remove from vehicle.

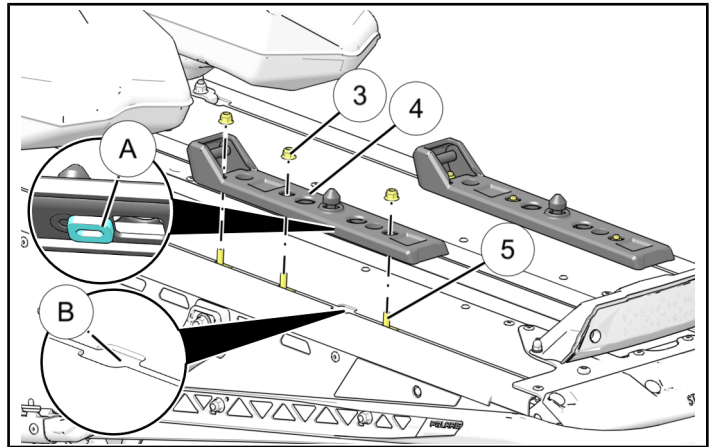
1. Ensure T-slot channels on the top of tunnel are free and clear from debris.
2. Place the three mounting screws ⑤ into the T-slot channel by inserting each screw into the opening in the T-slot and slide into approximate position as shown. Repeat for the three mounting screws on the opposite side.



3. Next, align the three mounting screws ⑤ up with the mounting holes in the tunnel latch plate ④ and place the tunnel latch plate into position as shown. Repeat for opposite side.

NOTE

The tunnel latch plate has a locating feature (A) that **MUST** be mated with the opening (B) in the T-slots. This ensures proper location of the passenger seat support assembly.



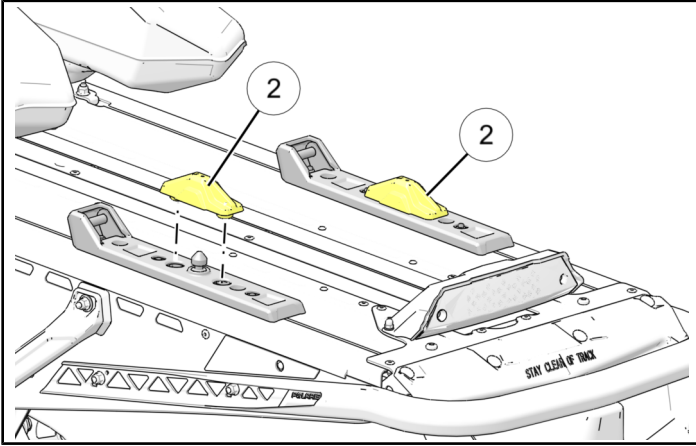
4. After placing both tunnel latch plates into the proper position, start all six locking nuts ③ by hand. Torque to specification.

TORQUE

7 ft. lbs. (9.5 Nm)

5. OPTIONAL STEP:

The FT2 Passenger Seat Support Kit comes with two latch pin covers (2) to be used when the passenger seat support is not being used. If you are not going to immediately be using the passenger seat support you may install the latch pin covers by pressing them firmly into position as shown.



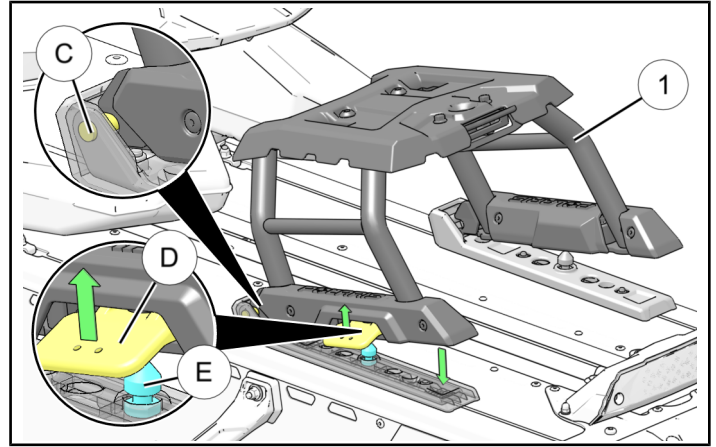
To remove the covers, use a flat screwdriver or similar tool to gently pry up on the outer edge of the cove until it is no longer seated in the mounting holes.

Store the covers in an appropriate location if not using at this time.

FEEDBACK FORM

A feedback form has been created for the installer to provide any comments, questions or concerns about the installation instructions. The form is viewable on mobile devices by scanning the QR code or by clicking [HERE](#) if viewing on a PC.

6. Once tunnel latch plates are located and secured into position, place the passenger seat support structure onto the tunnel latch plates. To do so, insert the front portion of the passenger seat support onto the front locator pins (C) on the tunnel latch plates as shown.



Once the front of the passenger seat support is fully seated, lift the latching mechanism handles (D) upwards and firmly press down on the back of the passenger seat support until the latching mechanism is fully engaged onto the latching pins (E).

7. Gently pull up on the rear of the passenger seat support to make sure the passenger seat support is properly secured.
8. Check to make sure all tools are accounted for and all necessary steps have been completed.

FEEDBACK FORM

