

TUNNEL STORAGE BAG



P/N 2883570

APPLICATION

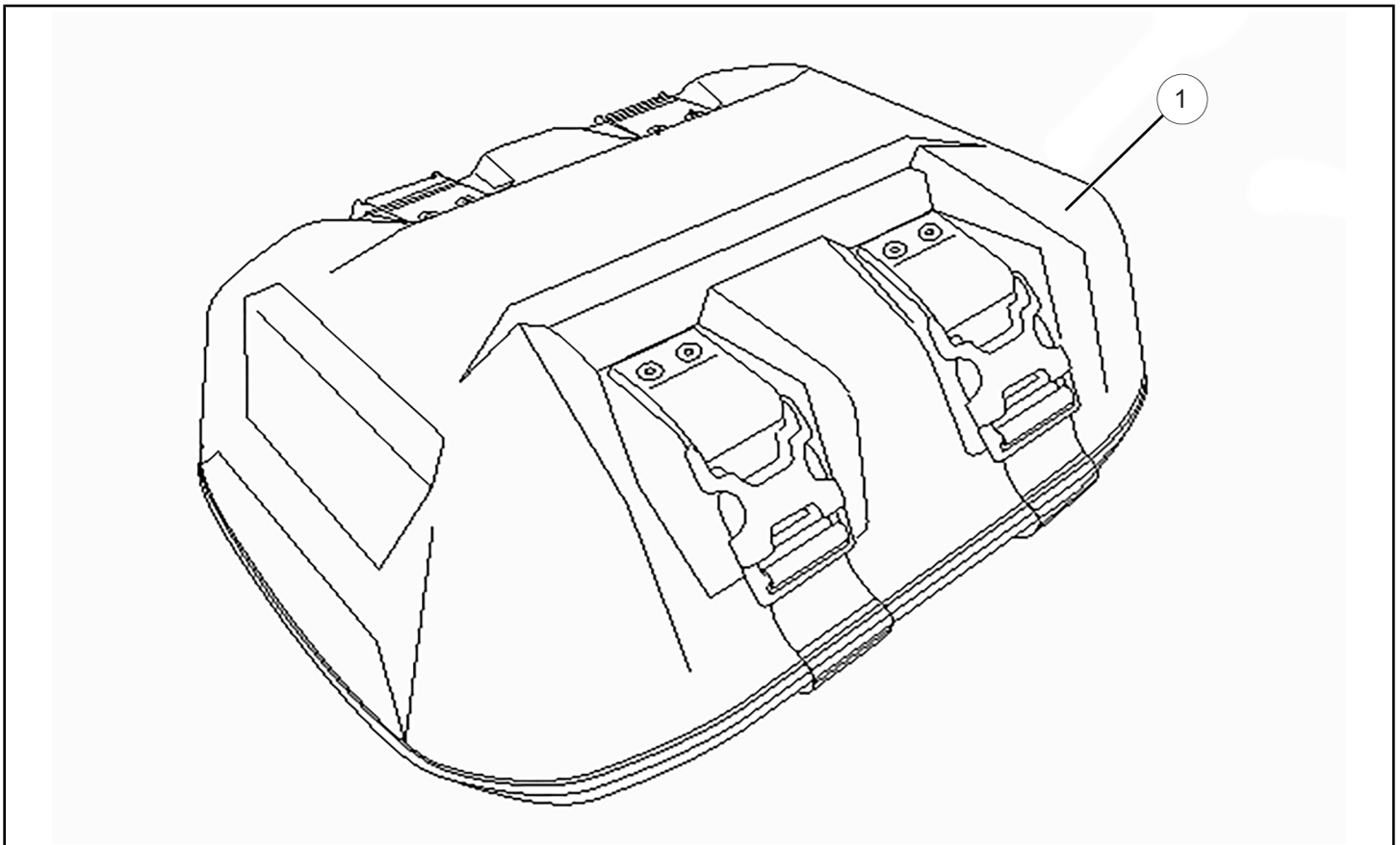
Verify accessory fitment at Polaris.com.

BEFORE YOU BEGIN

Read these instructions and check to be sure all parts and tools are accounted for. Please retain these installation instructions for future reference and parts ordering information.

KIT CONTENTS

This Kit includes:



| REF | QTY | PART DESCRIPTION | PART NUMBER |
|-----|-----|----------------------|-------------|
| 1 | 1 | TP/CO Tunnel Storage | 2688919 |
| | 1 | Instructions | 9928939 |

TOOLS REQUIRED

None

IMPORTANT

Your Tunnel Storage Bag is exclusively designed for your vehicle. Please read the installation instructions thoroughly before beginning. Installation is easier if the vehicle is clean and free of debris. For your safety, and to ensure a satisfactory installation, perform all installation steps correctly in the sequence shown.

ASSEMBLY TIME

Approximately 6 minutes

NOTE

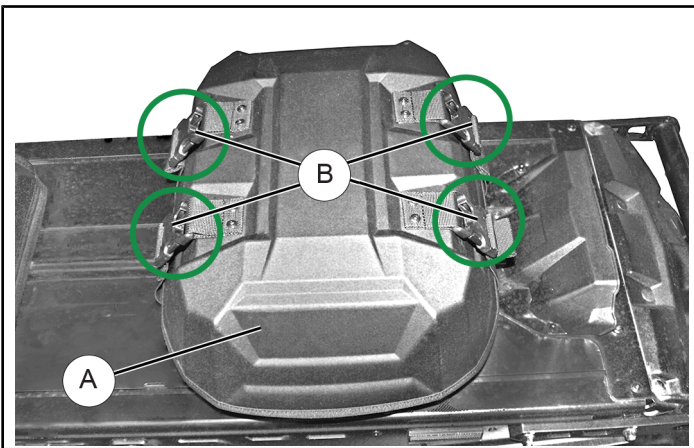
Additional time may be required for optional steps, or to accommodate other installed accessories.

INSTALLATION INSTRUCTIONS

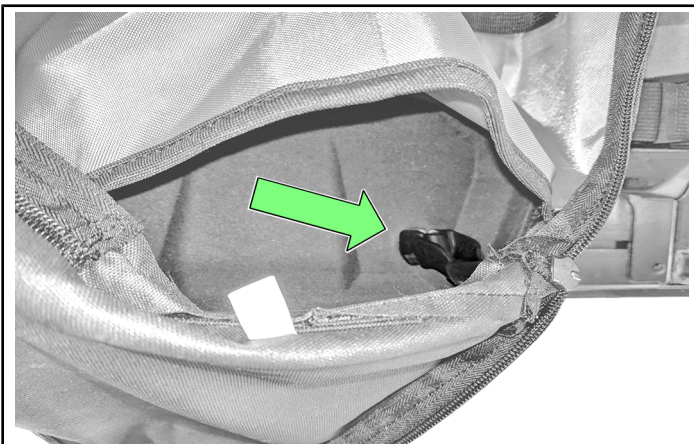
CAUTION

BEFORE STARTING INSTALLATION, always ensure vehicle is on a flat stable surface and is properly secured to avoid accidental tipping or other movement in order to prevent personal injury and/or damage to equipment. If applicable, turn key to "OFF" position and remove from vehicle.

1. Inspect Lock & Ride® T-slots in the top of tunnel to make sure they are free of any debris.
2. Remove outer cover (A) from top side of tunnel storage bag by uncoupling all four buckles (B) as shown.



3. Unzip bag to gain access to Lock & Ride anchors. Make sure the Lock & Ride anchors are in the upright position as shown.

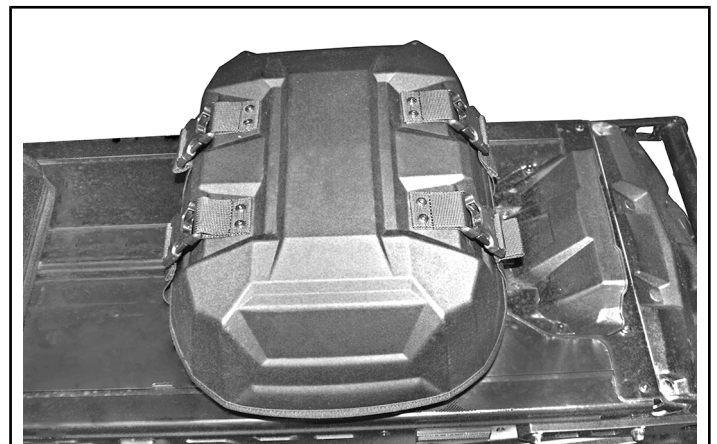


4. Next, rotate the Lock & Ride anchors so the lower portion of all four anchors are parallel with the T-slots in the tunnel as shown.



Once aligned, place bag onto tunnel being sure all four anchors are fully seated into the T-slots and slide the bag into the desired position.

5. Secure the bag into position by rotating the handles of the Lock & Ride anchors 90 degrees and downward. The handles should point towards the inside of the bag when secured.
6. Zip inner portion of bag and reinstall the outer cover being sure all four buckles are fully latched.



7. Check that the bag is secure by gently pulling up on each corner of the bag to ensure all Lock & Ride anchors have been fully engaged in the T-slots on the tunnel top.

FEEDBACK FORM

A feedback form has been created for the installer to provide any comments, questions or concerns about the installation instructions. The form is viewable on mobile devices by scanning the QR code or by clicking [HERE](#) if viewing on a PC.

