

# TRAILER RECEIVER HITCH KIT

P/N 2879236

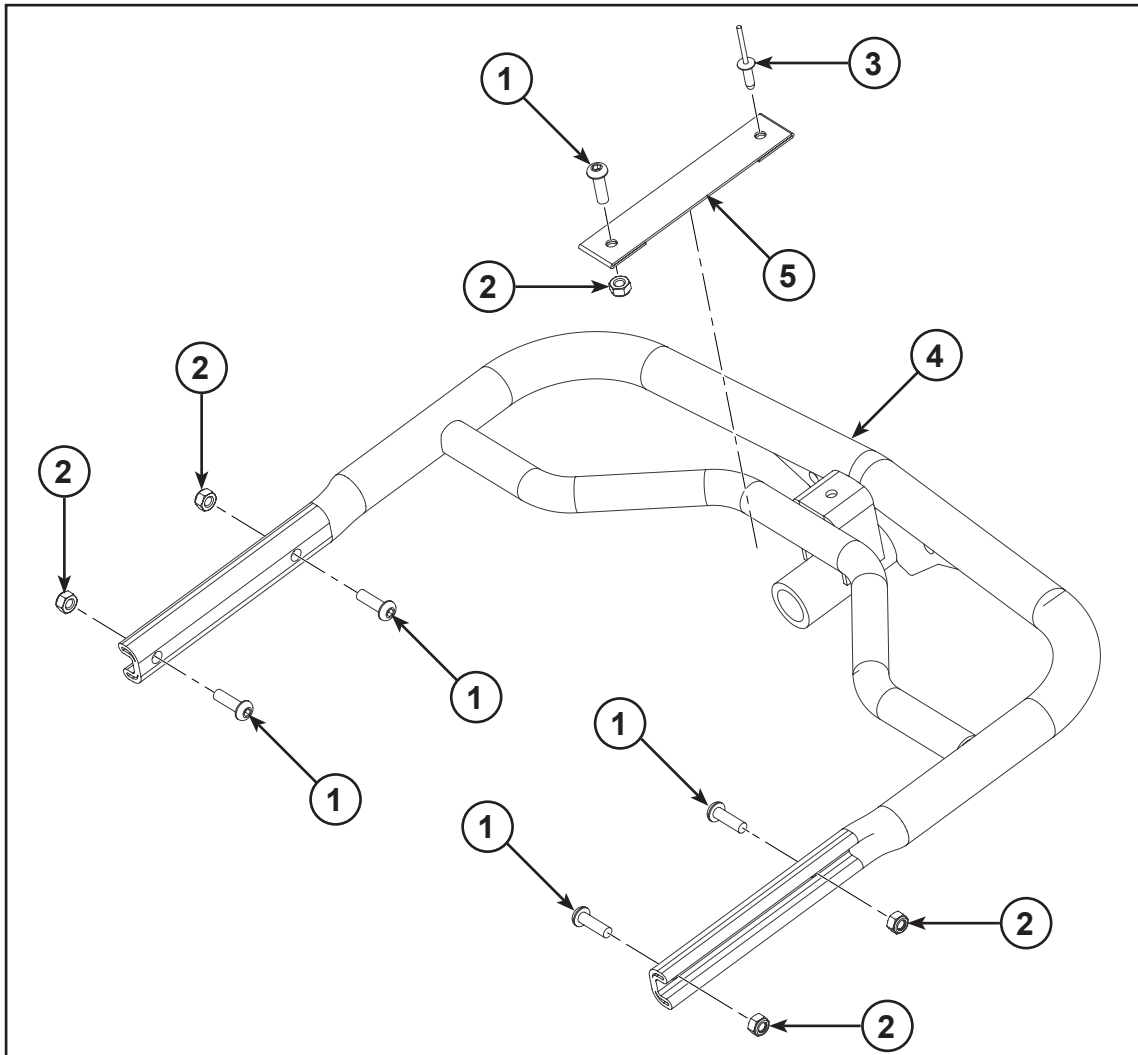


**POLARIS**<sup>®</sup>

Application

**POLARIS PRO RIDE INDY**

Before you begin, read these instructions twice and check to be sure all parts and tools are accounted for. Please retain these installation instructions for future reference and parts ordering information.



## This Kit Includes:

<u>Ref</u>	<u>Qty</u>	<u>Part Description</u>	<u>Part Number</u>
1	5	M6-1.0 X 20 mm Button Head Hexagonal Socket Cap Screw	-
2	5	M6-1.0 mm Hexagonal Nylon Nut	-
3	1	3/16" Pop Rivet	-
4	1	Trailer Receiver Hitch	1019585
5	1	Strap – Snow Flap	-
	1	Instructions	9924797

**NOTE:** Items 3 and 5 are already assembled.

## Tools Required:

Ratchet Wrench

Torx T27 Socket

4 mm Allen Wrench

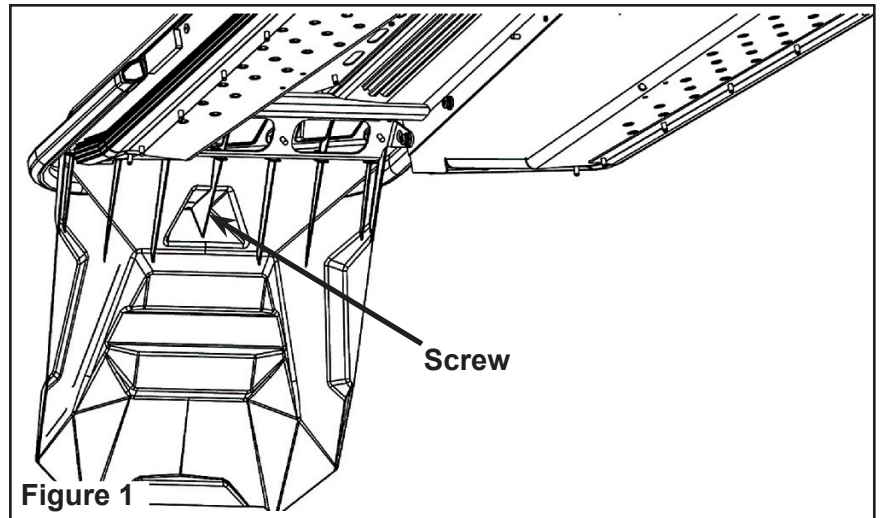
10 mm Wrench

**IMPORTANT:** Your POLARIS accessory is exclusively designed for your vehicle. Before beginning, please read these instructions and ensure that all parts and tools are at your disposal. Keep these instructions for future reference or for any information requests. To facilitate installation, ensure that your vehicle is clean and free of debris.

**APPROXIMATE ASSEMBLY TIME:** 10 minutes

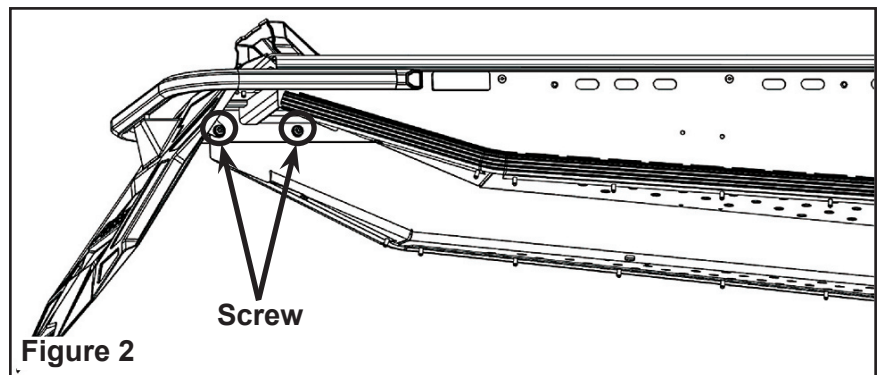
## INSTALLATION INSTRUCTIONS:

1. Remove the screw securing the snow flap to the rear bumper with a Torx T27 socket. Figure 1.

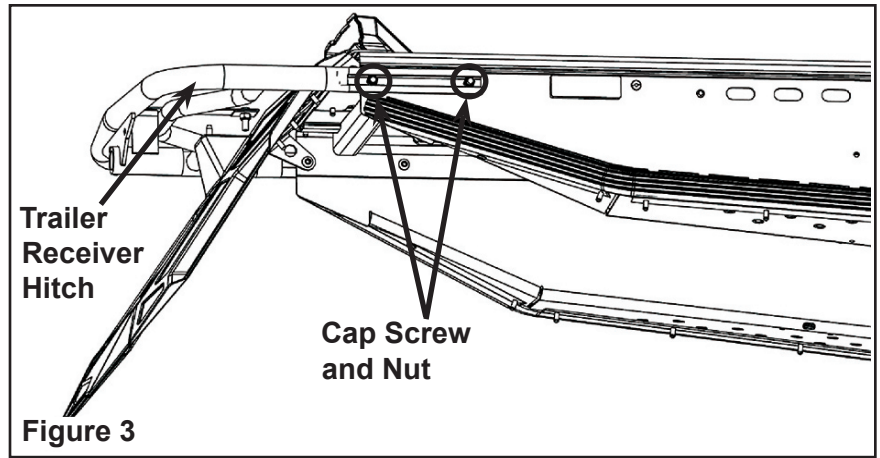


2. Remove the four Torx T27 screws connecting the bumper to the frame. There are two screws on each side. Figure 2.

**WARNING:** The bumper may fall down once the screws are removed.



3. Install the trailer receiver hitch (1019585) with four cap screws and nuts. There are two sets on each side. Figure 3.



4. Bolt the strap of the rear snow flap using one or other of the holes with a cap screw and nut. Figure 4.

