

Holtz Scratcher Installation Instructions

KIT P/N 2876256



POLARIS
The Way Out.®

Application

Polaris Snowmobiles

Before you begin, read these instructions and check to be sure all parts and tools are accounted for. Please retain these installation instructions for future reference and parts ordering information.

This kit includes:

Qty.	Part Description	Part No.
1	Scratcher-Holtz, LH	7043304
1	Scratcher-Holtz, RH	7043305
2	Screw 3/8"-16x2 1/2" Hxc	7517631
2	Nut 3/8" 24 Flg Loc	7547263
4	Washer Fl .406 x .812	7555806
2	Washer Holtz	7556422
2	Bushing Holtz	7556423
1	Instructions	9921121

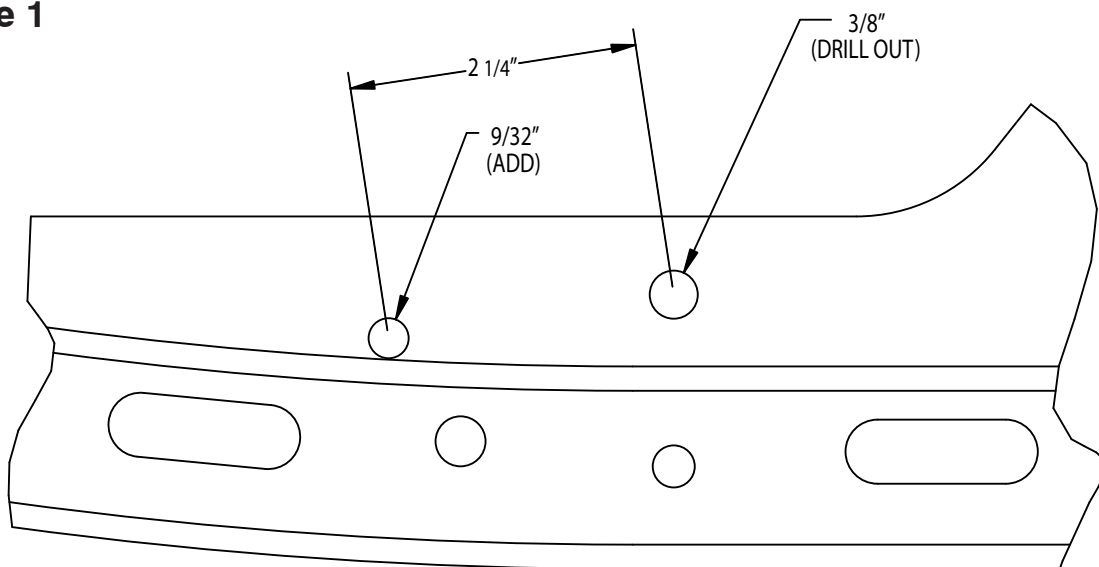
You will need to supply:

1/2" Wrench(es)	Drill
1/2" Socket	3/8" Drill Bit
9/16" Wrench(es)	9/32" Drill Bit
9/16" Socket	

INSTALLATION INSTRUCTIONS

1. Remove front set of idler wheels.
2. Drill upper idler wheel mount hole out to 3/8" (if necessary).
3. Drill second hole 2 1/4" forward with 9/32" drill (if necessary). See Figure 1

Figure 1



4. Install scratchers using supplied hardware. Torque to 33 ft./lbs. See Figure 2

Figure 2

