

IDLER WHEEL KIT P/N 2876337



POLARIS
The Way Out.®

Application

Polaris Shift with IQ Rear Suspension

Before you begin, read these instructions twice and check to be sure all parts and tools are accounted for. Please retain these installation instructions for future reference and parts ordering information.

This kit includes:

Qty	Part Description	Part Number
2.....	Idler Wheel Assembly	1590388-070
2.....	Bolt	7517731
1	Idler Shaft	5020744
1	Instructions	9921215

Tools Required:

Standard Wrench Set
Torque Wrench

IMPORTANT: For your safety, and to ensure a satisfactory installation, perform all installation steps correctly in the sequence as shown on the attached instructions.

INSTALLATION INSTRUCTIONS

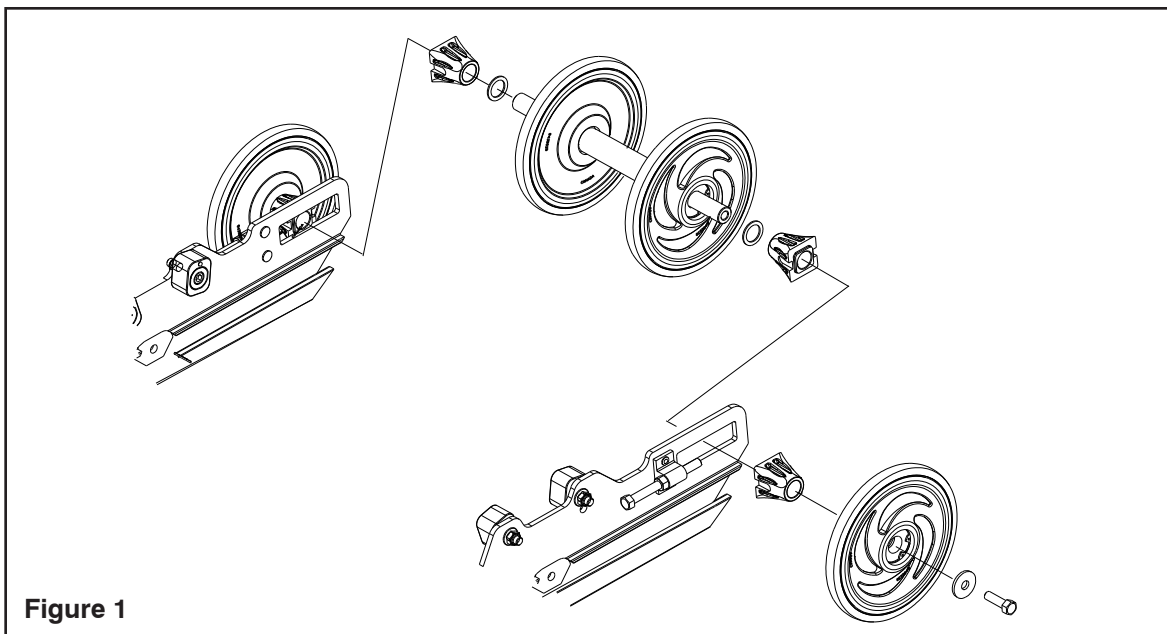


Figure 1

1. Remove idler shaft bolts.
2. Loosen the track tension to remove pressure from idler wheels.
3. Push the old idler shaft out of the rail assembly with the new idler shaft (P/N 5020744). Be careful not to lose any existing parts.
4. Add the two new wheels (P/N 1590388-070) and replace bolts with the new bolts provided (P/N 7517731).
5. Tighten track to 7/8" to 1 1/8" using a ten pound weight.
6. Torque idler shaft bolts to 35 ft.lb.