

BOGIE WHEEL KIT



P/N 2881269

APPLICATION

All AXYS RMK / RMK Assault Models

BEFORE YOU BEGIN

Read these instructions and check to be sure all parts and tools are accounted for. Please retain these installation instructions for future reference and parts ordering information.

KIT CONTENTS

This Kit includes:

REF	QTY	PART DESCRIPTION	PART NUMBER
1	2	Block - Wheel Mount	5633278
2	2	Bogie - Wheel Assembly, 5.62	1590434-070
3	2	Screw - M6 X 1.0 X 25	7517510
4	2	Screw - M6 X 1.0 X 70	7519908
5	4	Nut - M6 X 1.0	7547339
6	2	Washer - M6 Offset	7556799
	1	Instructions	9926196

TOOLS REQUIRED

- Metric Wrench Set

IMPORTANT

Your BOGIE WHEEL KIT is exclusively designed for your vehicle. Please read the installation instructions thoroughly before beginning. Installation is easier if the vehicle is clean and free of debris. For your safety, and to ensure a satisfactory installation, perform all installation steps correctly in the sequence shown.

ASSEMBLY TIME

Approximately 20 minutes

INSTALLATION INSTRUCTIONS

1. Install bogie wheels as shown, one set on the left rail and the other on the right rail.

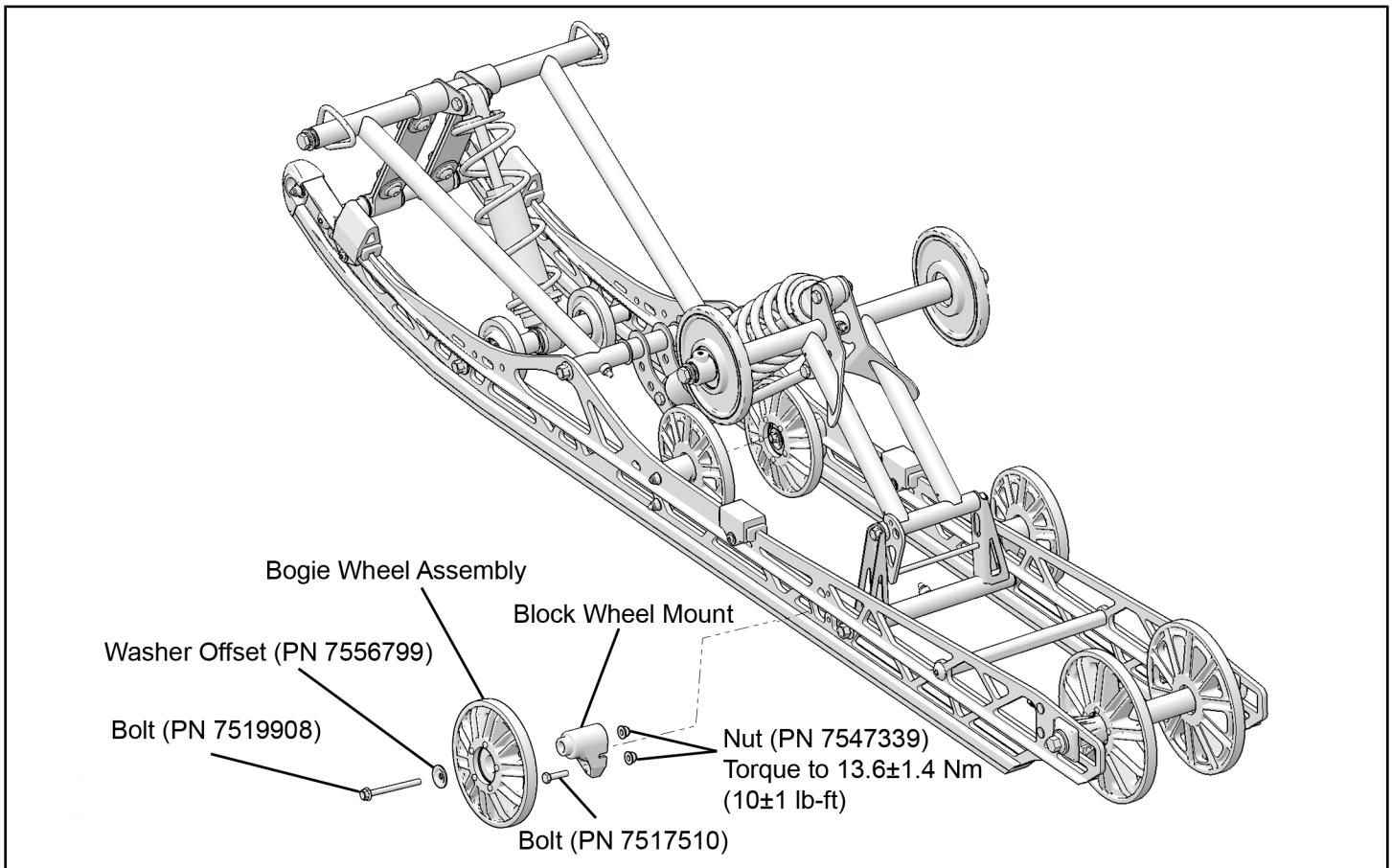
NOTE

Make sure they are installed directly across from each other.
Make sure the wheels are located properly to the inside and outside of the rail as shown.

a. AXYS RMK without clicker shocks:

NOTE

When adding wheel kits, order and install two Bogie Wheel Kit (PN 2881269) for best results.



b. AXYS RMK / RMK Assault with clicker shocks:

NOTE

When adding wheel kits, order and install two Bogie Wheel Kit (PN 2881269) for best results. When a center set of wheels are installed, scratchers must be removed.

