

# TIMBERSLED® HAND GAUNTLETS



P/N 2883651

## APPLICATION

The Timbersled™ Hand Gauntlets are designed to be installed on and work in conjunction with previously installed hand guards or roost shields on a variety of makes and models of motorcycles.

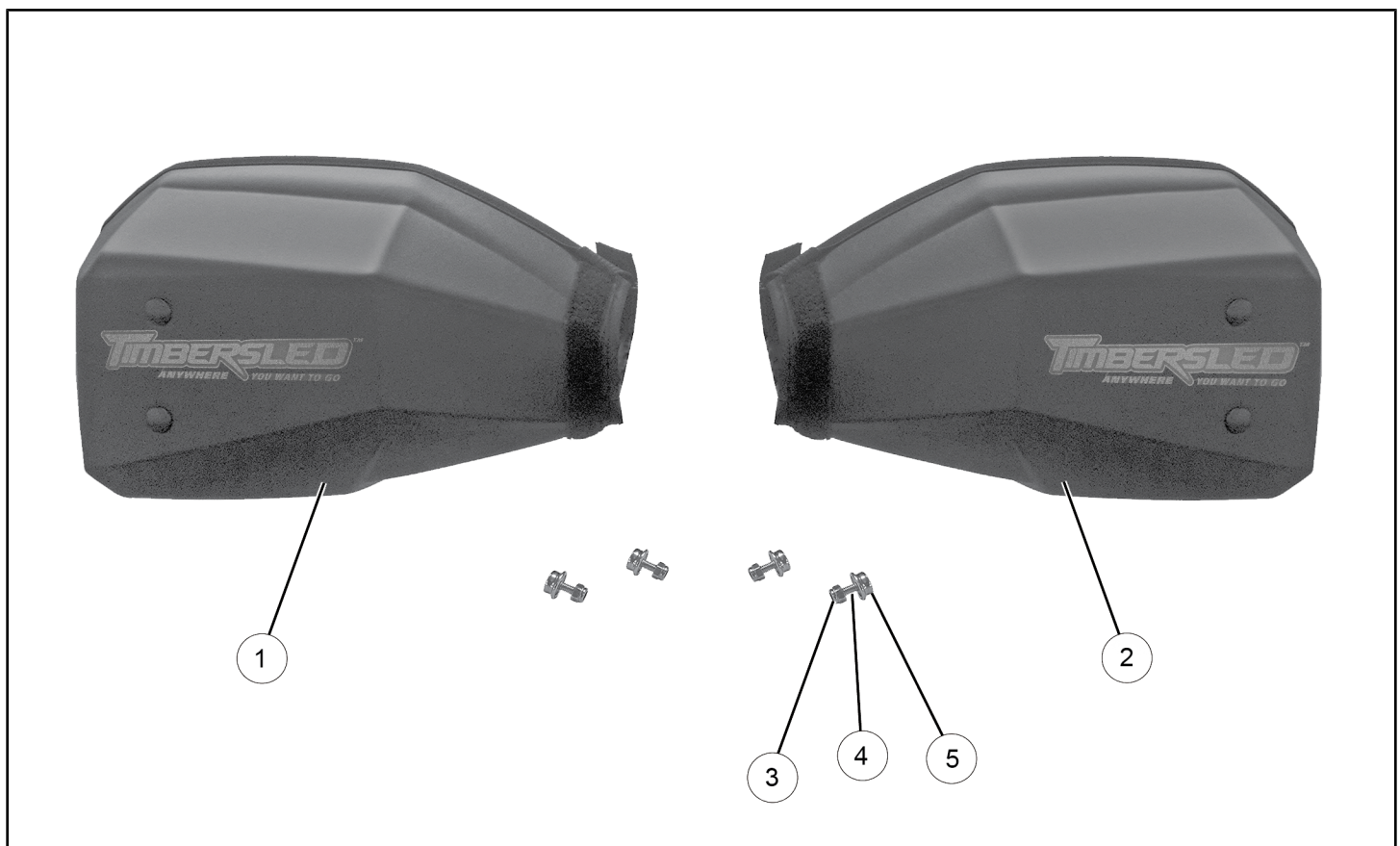
For more information visit [Timbersled.com](http://Timbersled.com).

## BEFORE YOU BEGIN

Read these instructions and check to be sure all parts and tools are accounted for. Please retain these installation instructions for future reference and parts ordering information.

## KIT CONTENTS

This Kit includes:



REF	QTY	PART DESCRIPTION	PART NUMBER
1	1	Gauntlet - RH	-
2	1	Gauntlet - LH	-
3	4	Lock Nut	-
4	4	Screw	-
5	4	Snap	-
	1	Instructions	9929042

\* Contents of kit not sold separately.

## TOOLS REQUIRED

- Safety Glasses
- Drill
- Drill Bit: 5/32" (4 mm)
- Screwdriver, Phillips
- Wrench Set, Metric

### NOTE

Tools required for install **ONLY** on frameless hand guards. Framed hand guards **DO NOT** require the use of tools.

## IMPORTANT

Your Timbersled® Hand Gauntlets is exclusively designed for your vehicle. Please read the installation instructions thoroughly before beginning. Installation is easier if the vehicle is clean and free of debris. For your safety, and to ensure a satisfactory installation, perform all installation steps correctly in the sequence shown.

## ASSEMBLY TIME

Approximately 6 minutes

### NOTE

Additional time may be required for optional steps, or to accommodate other installed accessories.

## INSTALLATION INSTRUCTIONS

### CAUTION

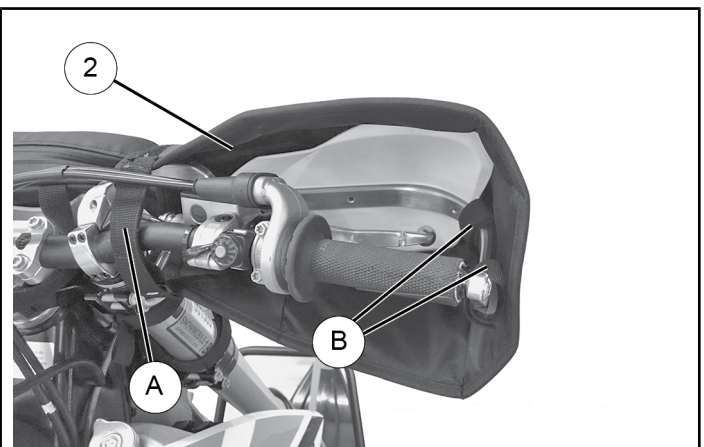
**BEFORE STARTING INSTALLATION**, always ensure vehicle is on a flat stable surface and is properly secured to avoid accidental tipping or other movement to prevent personal injury and/or damage to equipment. If applicable, turn key to "OFF" position and remove from vehicle.

### WARNING

Hook and Loop fastener straps (A) **MUST** be routed as to cause **NO INTERFERENCE** with throttle function. After installing the hand gauntlets you **MUST** check to ensure the throttle is correctly operating **BEFORE** starting the vehicle. Failure to comply may result in death or serious personal injury.

### NOTE

Timbersled Hand Gauntlets are designed for installation onto either full framed hand guards/shields or frameless hand guards/shields. Be sure to follow the proper instructions for your specific application.



## FULL FRAME INSTALLATION

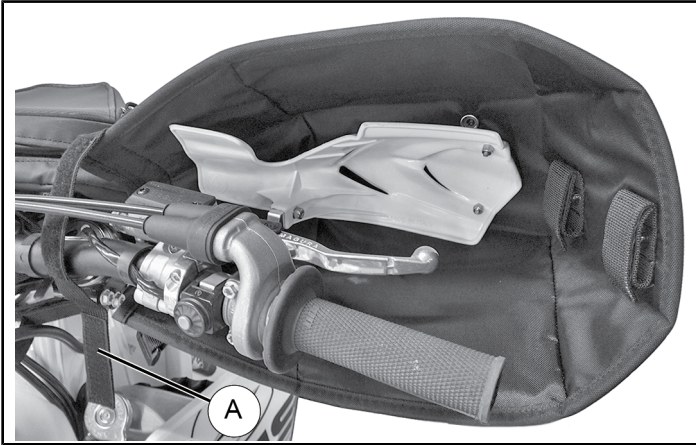
1. Remove snap and screw hardware. Hardware is not necessary for install on full framed hand guards.
2. Place Timbersled Hand Gauntlet (2) over the front of your existing hand guard as shown. Secure hook and loop fastener straps (A) around handlebars as shown and adjust to fit.

3. Next, use the two inner hook and loop fastener straps (B) to secure the gauntlet to the outer bar of your hand guards as shown.
4. Go back and re-cinch hook and loop fastener straps to fine tune preferred fit.

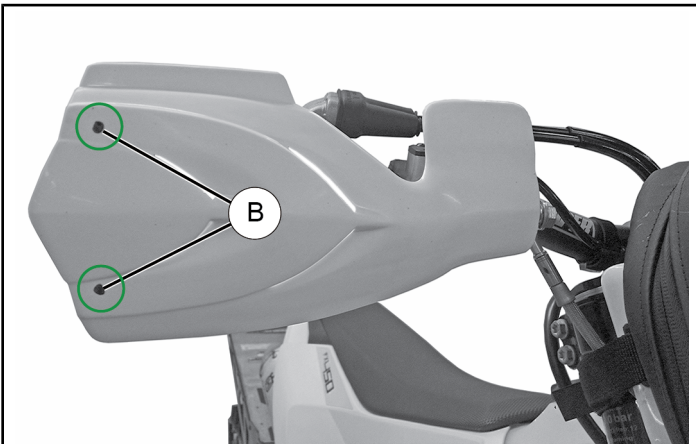
- Repeat steps 2-4 for opposite side.
- Check to make sure all tools are accounted for and all necessary steps have been completed.

## FRAMELESS INSTALLATION

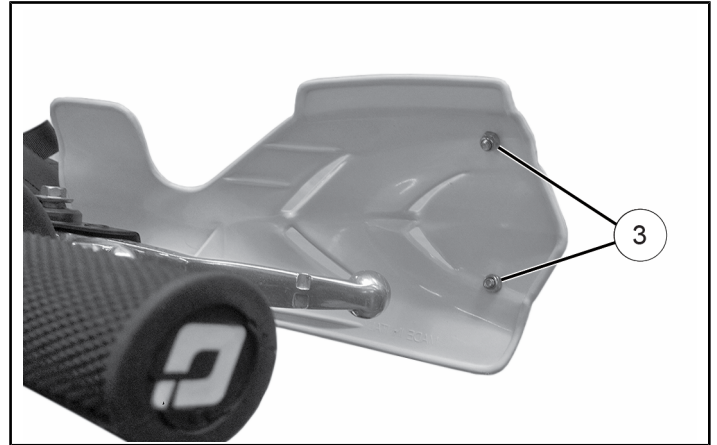
- Remove snap and screw hardware and set aside for later use.
- Place Timbersled Hand Gauntlet over the front of your existing hand guards. Secure handlebar hook and loop fastener straps (A) around handlebars and adjust to fit.



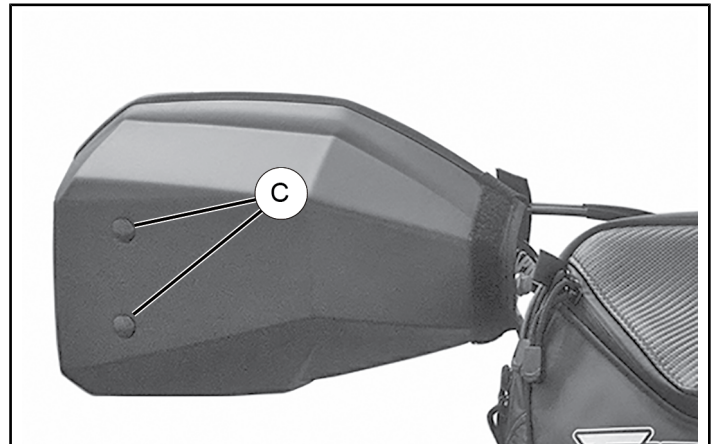
- Once Hand Gauntlets are in desired location use a pencil or marker to mark the center of each mounting snap location (B) on existing hand guard shield.



- Double check alignment/positioning BEFORE drilling. Using power drill and 5/32" drill bit, drill holes at previously marked snap location.
- Thread the male snap hardware (4)/(5) through the outside of the hand guard and secure with provided locking nut (3). Tighten to snug being sure not to overtighten.



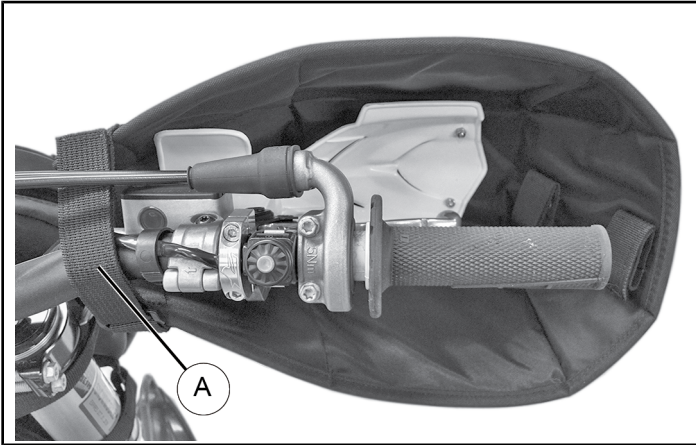
- Place Hand Gauntlet over the front of the hand guard snapping the outer snaps (C) to the newly installed mounting snaps on the front side of the hand guard.



7. Secure handlebar hook and loop fastener straps (A) around handlebars as shown and adjust to fit.

**⚠ WARNING**

Hook and Loop fastener straps (A) **MUST** be routed as to cause **NO INTERFERENCE** with throttle function. After installing the hand gauntlets you **MUST** check to ensure the throttle is correctly operating **BEFORE** starting the vehicle. Failure to comply may result in death or serious personal injury.



8. Repeat steps 2-7 for opposite side.



9. Check to make sure all tools are accounted for and all necessary steps have been completed.

## FEEDBACK FORM

A feedback form has been created for the installer to provide any comments, questions or concerns about the installation instructions. The form is viewable on mobile devices by scanning the QR code or by clicking [HERE](#) if viewing on a PC.

### FEEDBACK FORM

