

ARO™ SNOW FLAP



P/N 2883796

APPLICATION

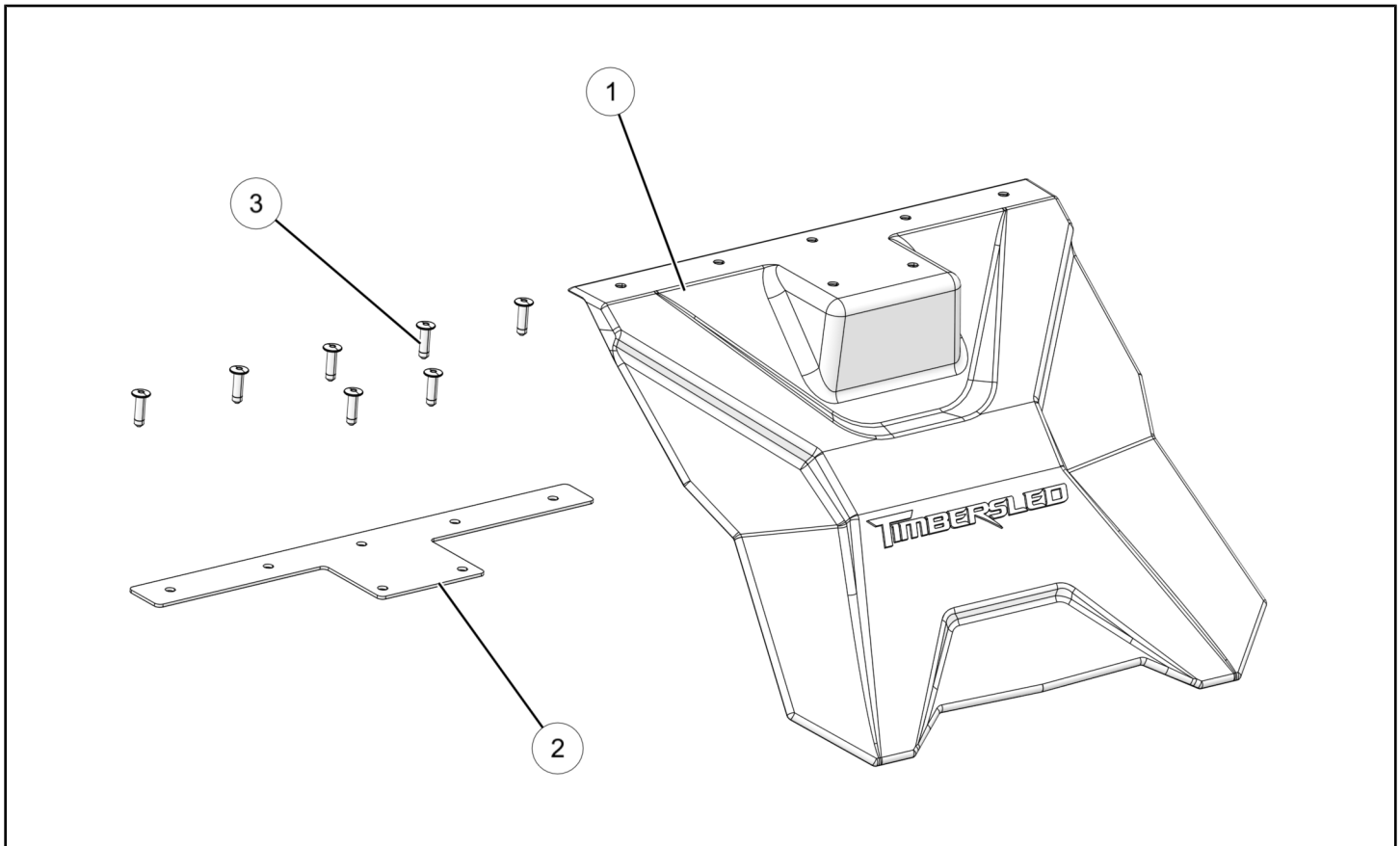
Fits Timbersled ARO™ models only.

BEFORE YOU BEGIN

Read these instructions and check to be sure all parts and tools are accounted for. Please retain these installation instructions for future reference and parts ordering information.

KIT CONTENTS

This Kit includes:



REF	QTY	PART DESCRIPTION	PART NUMBER
1	1	Snow Flap	5454778
2	1	Plate, Reinforcement - Snow Flap	5265316
3	7	Rivet, 3/16	7621402
	1	Instructions	9928990

TOOLS REQUIRED

- Safety Glasses
- Drill
- Drill Bit: 3/16" (5mm)
- Pop Rivet Puller
- C-Clamp (or equivalent)

CONSUMABLES REQUIRED

- None

IMPORTANT

Your ARO™ Snow Flap is exclusively designed for your vehicle. Please read the installation instructions thoroughly before beginning. Installation is easier if the vehicle is clean and free of debris. For your safety, and to ensure a satisfactory installation, perform all installation steps correctly in the sequence shown.

ASSEMBLY TIME

Approximately 18 minutes

NOTE

Additional time may be required for optional steps, or to accommodate other installed accessories.

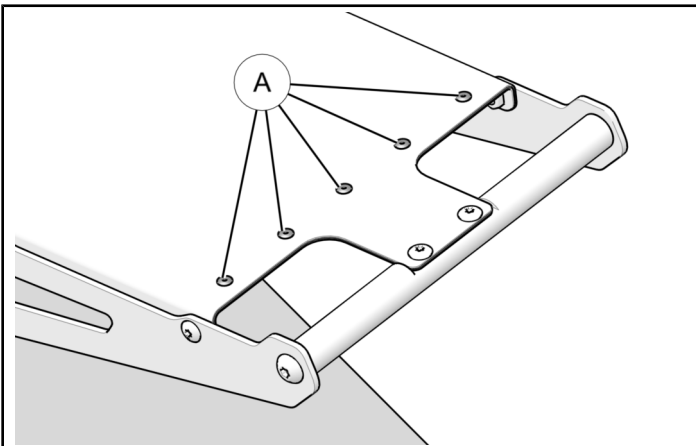
INSTALLATION INSTRUCTIONS

CAUTION

BEFORE STARTING INSTALLATION, always ensure vehicle is on a flat stable surface and is properly secured to avoid accidental tipping or other movement to prevent personal injury and/or damage to equipment. If applicable, turn key to "OFF" position and remove from vehicle.

1. Remove rivets.

- Remove the indicated five rivets **(A)** at the rear of the tunnel using a drill and 3/16" (5mm) drill bit.

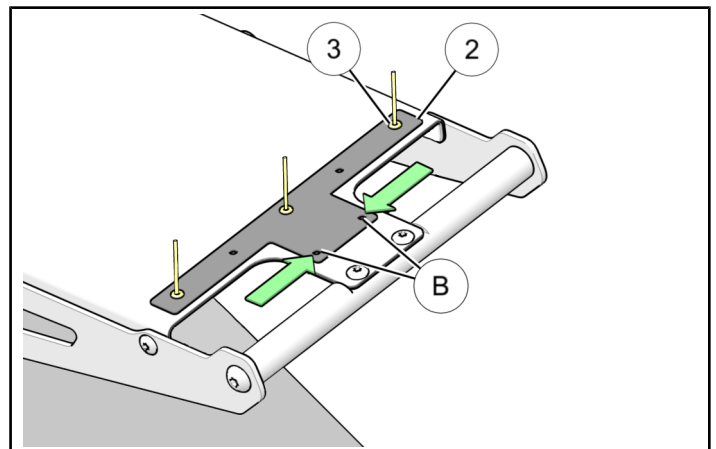


2. Drill additional holes.

- Place the reinforcement plate **(2)** on top of the tunnel in the indicated position to be used as a template for drilling additional holes **(B)**. Use three of the supplied rivets **(3)** to align the reinforcement plate making sure it is in the correct position as shown. **DO NOT** secure rivet fasteners at this time.

NOTE

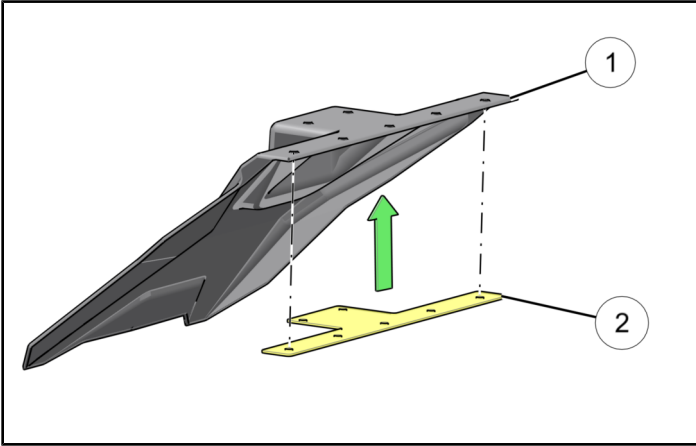
Use a C-Clamp or equivalent to secure reinforcement plate onto tunnel top once it is aligned to prevent it from moving while drilling new holes.



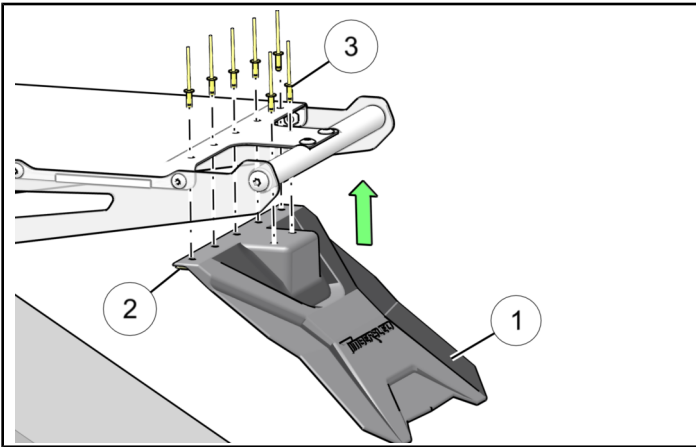
- Once the plate is temporarily secured into position use a drill and 3/16" (5mm) drill bit to drill new holes **(B)**. After drilling, clean all shavings left from the drilling process from the top of the tunnel and remove plate.

3. Install new snow flap assembly.

- a. Place reinforcement plate ② into position on the underside of the snow flap ① as shown.



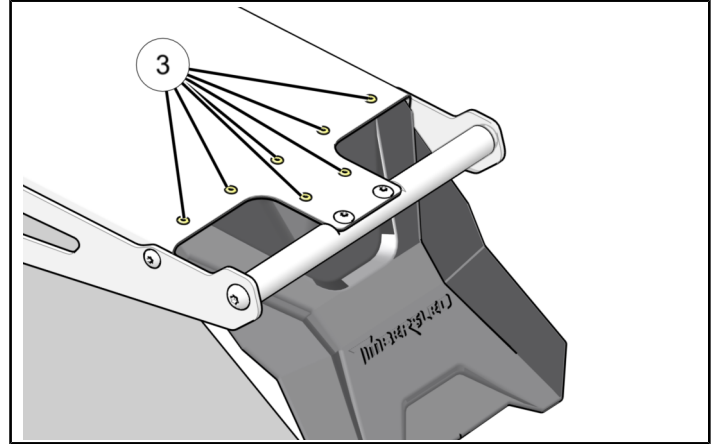
- b. Next place snow flap/reinforcement plate assembly ①/② into position on the underside of tunnel as shown, using supplied rivets ③ to align into proper position.



NOTE

It is recommended to use a C-Clamp or equivalent to hold the snow flap/reinforcement plate assembly in place before securing rivets to ensure all parts/holes line up properly.

- c. Using a rivet puller, secure all seven supplied rivets ③ to install snow flap and reinforcement plate into position.



4. Verify work.

- a. Check to make sure all tools are accounted for and all necessary steps have been completed.

FEEDBACK FORM

A feedback form has been created for the installer to provide any comments, questions or concerns about the installation instructions. The form is viewable on mobile devices by scanning the QR code or by clicking [HERE](#) if viewing on a PC.

FEEDBACK FORM

