

TIMBERSLED ARO™ FUEL CAN RACK KIT



P/N 2883983

APPLICATION

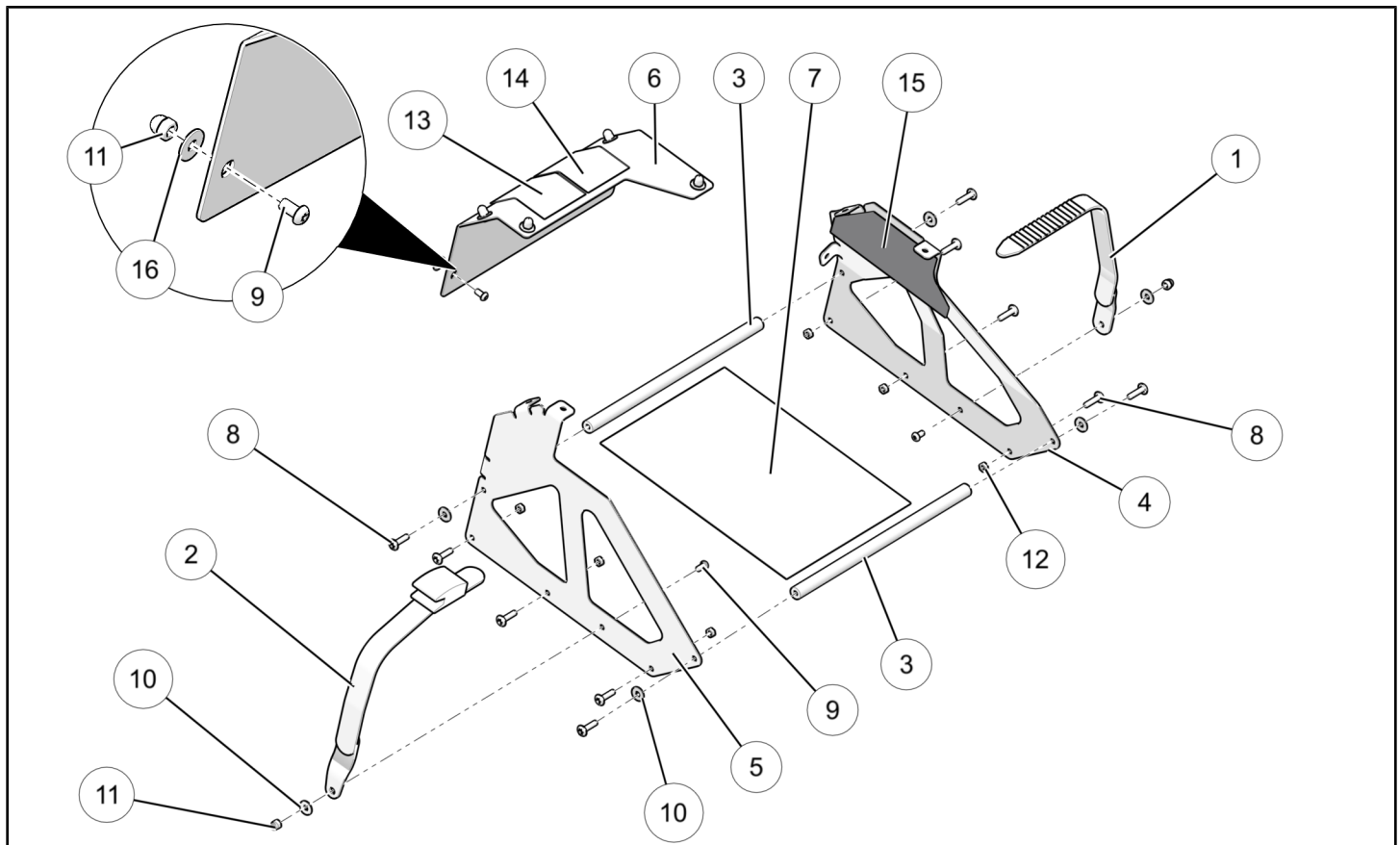
The Timbersled ARO™ Fuel Can Rack Kit is designed to fit all Timbersled ARO™ chassis.

BEFORE YOU BEGIN

Read these instructions and check to be sure all parts and tools are accounted for. Please retain these installation instructions for future reference and parts ordering information.

KIT CONTENTS

This Kit includes:



REF	QTY	PART DESCRIPTION	PART NUMBER
1	1	Ladder strap- RH	1590593
2	1	Ratchet Strap - LH	1590593
3	2	Cross Shaft	5141961
4	1	Bracket - RH	-
5	1	Bracket - LH	-
6	1	Bracket - Front	-
7	1	Gas Mat	5416582
8	10	Screw - M6 X 1.0 X 25	7518102

REF	QTY	PART DESCRIPTION	PART NUMBER
9	8	Screw - M6 X 1.0 X 12	7520935
10	6	Washer - 6.4 X 18 X 1.6	7556064
11	8	Acorn Nut - M6 X 1.0	7547939
12	6	Jam Nut - M6 X 1.0	7546701
13	1	Warning Decal - Fuel Transport	-
14	1	Warning Decal - Hot Surface	-
15	1	Inner Mat - RH	-
16	6	Washer - 6.4 X 12 X 1.6	7556088
	1	Instructions	9929722

TOOLS REQUIRED

- Safety Glasses
- Socket Set, Metric
- Wrench Set, Metric
- Torque Wrench
- Hex Key Set, Metric

IMPORTANT

Your Timbersled ARO™ Fuel Can Rack Kit is exclusively designed for your vehicle. Please read the installation instructions thoroughly before beginning. Installation is easier if the vehicle is clean and free of debris. For your safety, and to ensure a satisfactory installation, perform all installation steps correctly in the sequence shown.

ASSEMBLY TIME

Approximately 30 minutes

INSTALLATION INSTRUCTIONS

⚠ WARNING

Carrying Fuel Is Hazardous. Leaks/Spills May Result In Fire & Burn Injuries.

- **ALWAYS** inspect fuel can for damage and leaks before every ride.
- **ALWAYS** secure cap to prevent leaks/spills.
- Read rack instructions to properly secure can and prevent strap damage or can leaks.

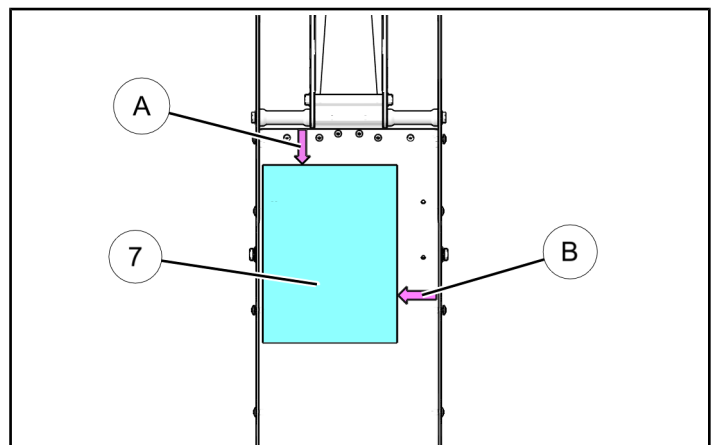
Failure to follow instructions increases risk of fire hazard and serious burn injury.

IMPORTANT

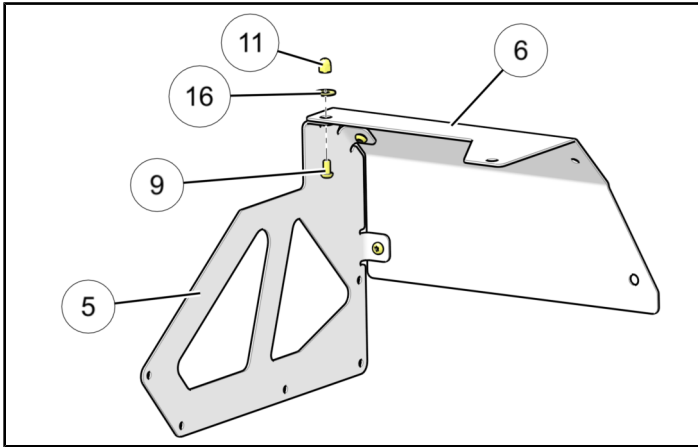
When installing your ARO fuel can rack kit you **MUST** apply **LOCTITE® BLUE 243®** to **ALL** screw fasteners before installing. Failure to comply will adversely affect the structural integrity of the fuel can rack and may cause damage to fuel can, fuel can rack and/or vehicle components.

1. Place gas mat ⑦ running lengthwise with the tunnel as shown. Measurement ① is approximately 1.5 inches. Measurement ② is approximately 2.5 inches.

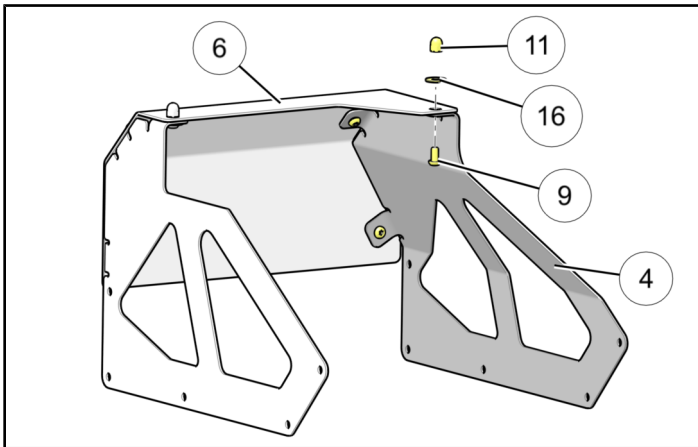
Once in position, peel the adhesive paper cover back at a 180 degree angle from its original placement. As you peel the protective paper off of the adhesive, apply pressure to the fuel can mat working any air bubbles that may be trapped in the adhesive out in the direction you are peeling the paper backing.



2. Install front panel ⑥ onto the LH panel ⑤ by lining up the three bolt holes of each panel. Make sure the LH panel is on the underside of the front panel. Fasten the two panels together using the provided gas rack panel bolts ⑨, washers ⑯ and acorn nuts ⑪ as shown inserting bolts ⑨ from the inside of the rack out. **DO NOT** tighten at this time.



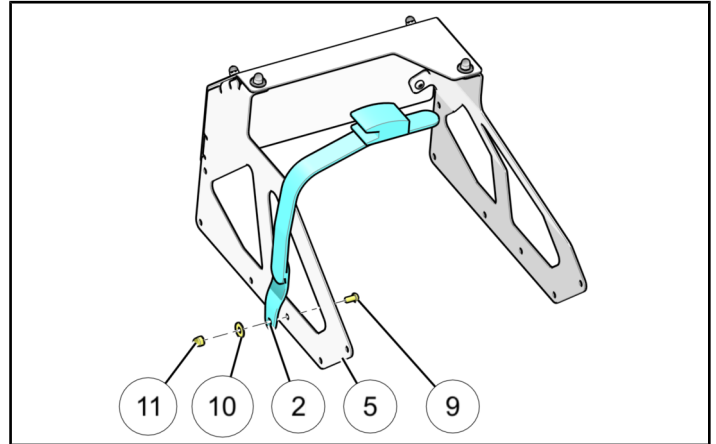
3. Install RH panel ④ onto the underside of the front panel ⑥ by lining up the three bolt holes of each panel and fastening the two panels together using the provided gas rack panel bolts ⑨, washers ⑯ and acorn nuts ⑪ as shown inserting bolts ⑨ from the inside of the rack out. **DO NOT** tighten at this time.



4. Run the left hand ratchet strap ② on the outside of the LH side panel ⑤ of the gas rack as shown. Fasten the strap to the outside of the panel using provided ratchet strap bolts ⑨, nut ⑩ and washer ⑩ as shown. Torque to specification listed below.

TORQUE

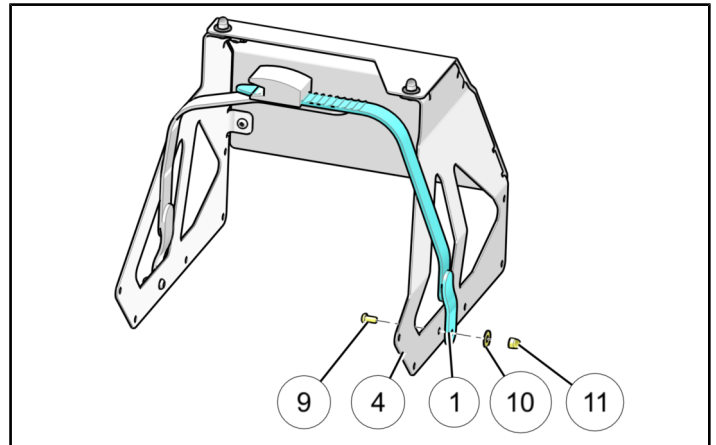
2 Ft. Lbs. (2.7 Nm)



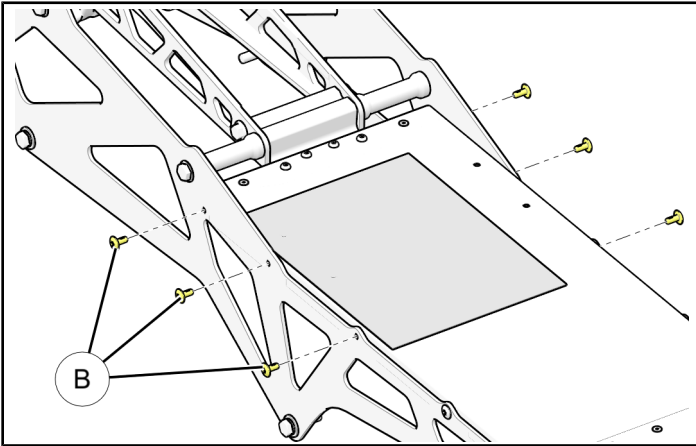
5. Next run the right hand ratchet strap ① on the outside of the RH side panel ④ of the gas rack as shown and fasten to the outside of the panel using provided ratchet strap bolts ⑨, nut ⑩ and washer ⑩. Torque to specification listed below.

TORQUE

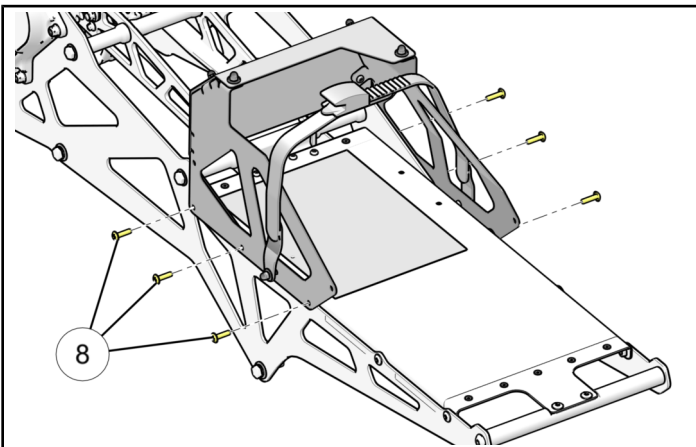
2 Ft. Lbs. (2.7 Nm)



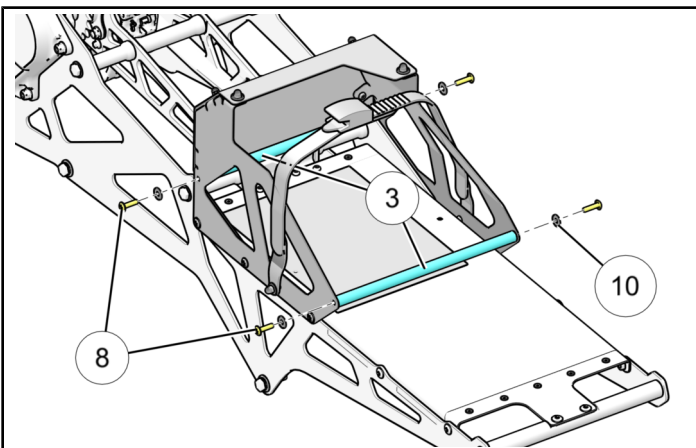
6. Now remove the three front bolts (B) holding the tunnel top to the side panel. Do this to both the left and right side. Discard bolts as they will be replaced with the fasteners provided.



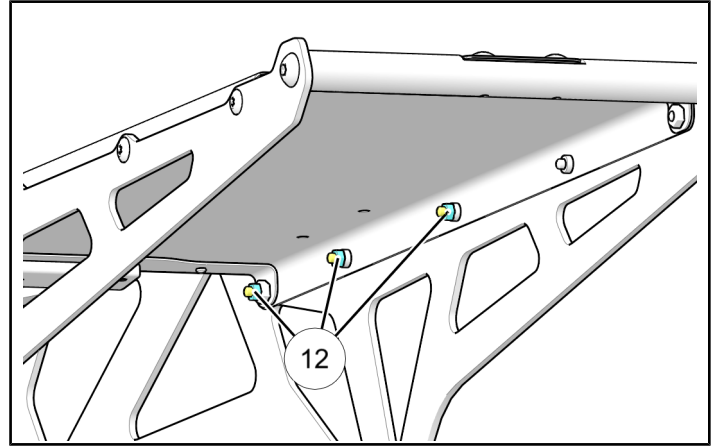
7. Place the loosely assembled fuel can rack over the tunnel lining up the side panel mounting holes as shown. Install the provided side panel bolts (8) as shown on each side. **DO NOT** tighten at this time.



8. Install front and rear cross shafts (3) by inserting in-between the two fuel can rack side panels and lining up the mounting holes as shown. Fasten using provided gas rod bolts (8) and washers (10) as shown. **DO NOT** tighten at this time.



9. Once all components have been loosely assembled, go back thru steps 2 - 8 and torque fasteners to specifications listed in the torque settings table on the following page.
10. After torquing all fasteners install final jam nuts (12) on inner side panel bolts and strap bolts as shown. Torque jam nuts to specifications listed in the torque settings table on the following page.



11. Check to ensure all tools are accounted for and all steps have been completed in the correct order.

NOTICE

- This accessory is designed to provide a safe method of carrying fuel.
- **ALWAYS** ensure fuel can is properly placed and secured with supplied ratchet straps to prevent movement between fuel can and rack.
- **ALWAYS** ensure fuel can fits within the available space and has adequate clearance to surrounding components.

TORQUE SETTINGS TABLE

REF	QTY	PART DESCRIPTION	PART NUMBER	TORQUE SETTING
8	4	M6 X 1.0 x 25 Gas Rod Bolts	7518102	3.5 ft.lbs / 4.75 Nm
8	6	M6 X 1.0 x 25 Side Panel Bolts	7518102	8.6 ft.lbs / 11.7 Nm
9	6	M6 X 1.0 x 12 Gas Rack Panel Bolts	7520935	Torque Acorn Nut side.
11	6	M6 Acorn Nut	7547939	8.6 ft.lbs / 11.7 Nm
12	6	M6 x 1 Hex Jam Nut	7546701	8.6 ft.lbs / 11.7 Nm

FEEDBACK FORM

A feedback form has been created for the installer to provide any comments, questions or concerns about the installation instructions. The form is viewable on mobile devices by scanning the QR code or by clicking [HERE](#) if viewing on a PC.

