

TIMBERSLED® TRAVERSE SKI™ CARBIDE CENTER SKAG KIT

P/N 2884022



APPLICATION

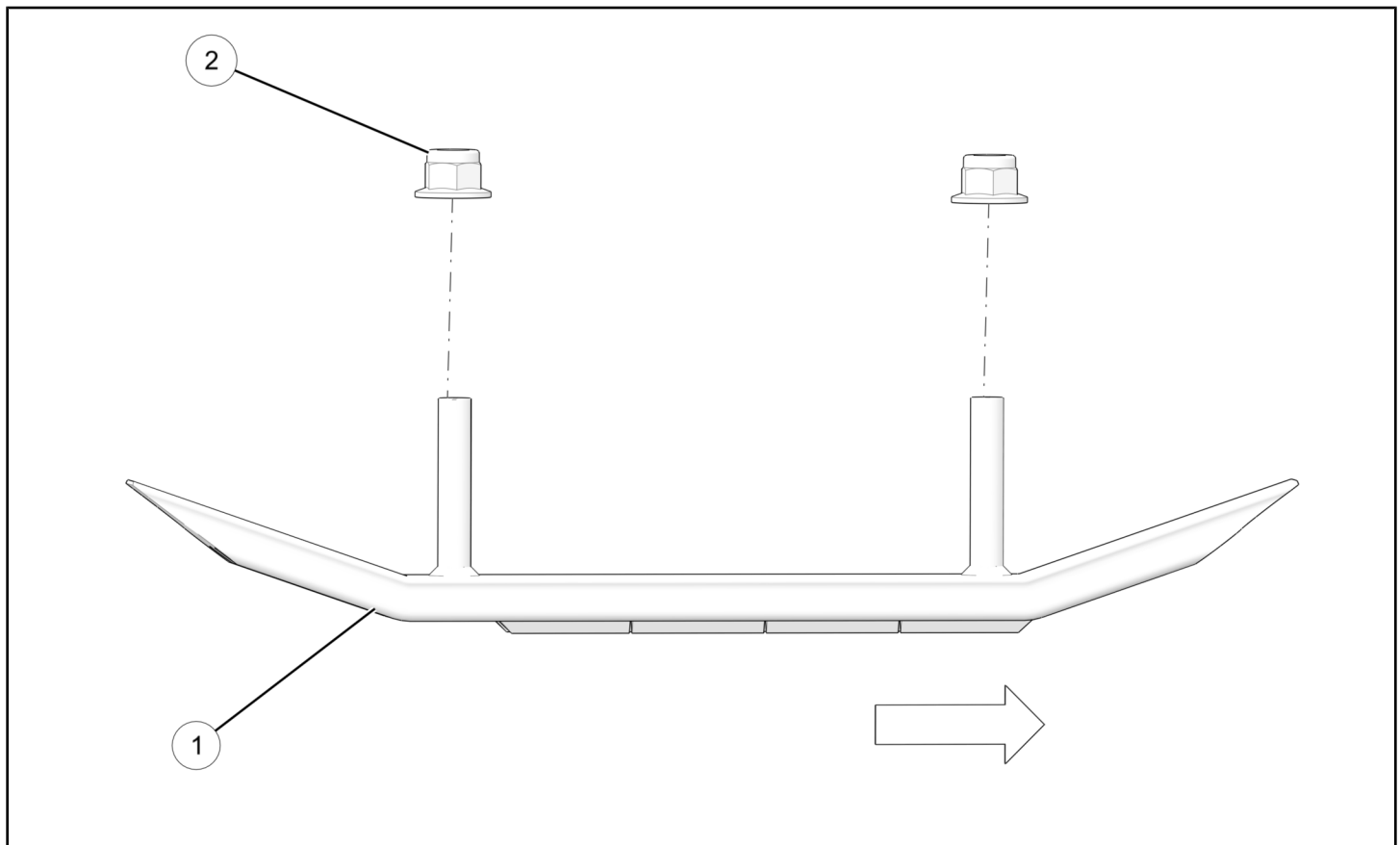
Verify accessory fitment at Timbersled.com.

BEFORE YOU BEGIN

Read these instructions and check to be sure all parts and tools are accounted for. Please retain these installation instructions for future reference and parts ordering information.

KIT CONTENTS

This Kit includes:



REF	QTY	PART DESCRIPTION	PART NUMBER
1	1	Carbide Skag, Center	2884022
2	2	Locking Nut	-
	1	Instructions	9929044

* Arrow indicates forward direction

TOOLS REQUIRED

- Safety Glasses
- Torque Wrench
- Socket Set, Metric & Standard
- Vehicle Lift/Support Equipment

IMPORTANT

Your Timbersled® Traverse Ski™ Carbide Center Skag Kit is exclusively designed for your vehicle. Please read the installation instructions thoroughly before beginning. Installation is easier if the vehicle is clean and free of debris. For your safety, and to ensure a satisfactory installation, perform all installation steps correctly in the sequence shown.

ASSEMBLY TIME

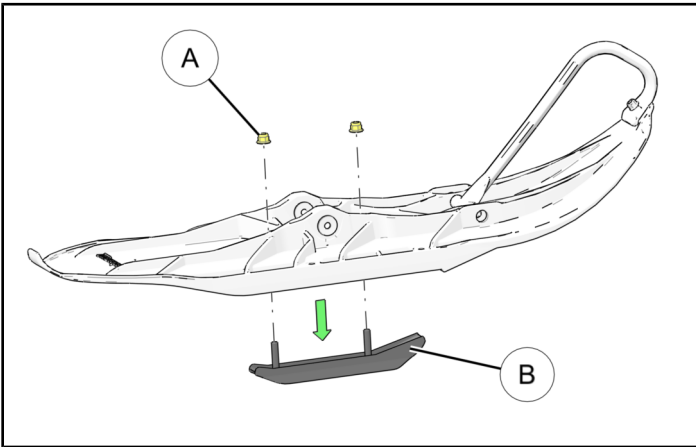
Approximately 6 minutes

INSTALLATION INSTRUCTIONS

CAUTION

BEFORE STARTING INSTALLATION, always ensure vehicle is on a flat stable surface and is properly secured to avoid accidental tipping or other movement to prevent personal injury and/or damage to equipment. If applicable, turn key to "OFF" position and remove from vehicle.

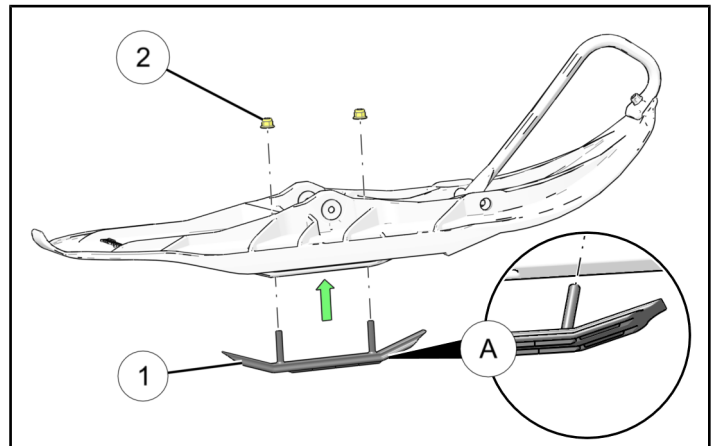
1. Using the appropriate lifting equipment, raise front ski assembly off the ground roughly 6-8" (15-20 cm).
2. Remove the two locking nuts (A) securing the skag (B) to the vehicle and remove existing skag.



3. Install new skag (1) onto ski with the carbide inserts oriented towards the front of the ski as indicated in the inset (A). Secure with provided locking nuts (2). Torque to specification listed below.

TORQUE

13.5 ft. lbs (18 Nm)



4. Check to make sure all tools are accounted for and all necessary steps have been completed.

FEEDBACK FORM

A feedback form has been created for the installer to provide any comments, questions or concerns about the installation instructions. The form is viewable on mobile devices by scanning the QR code or by clicking [HERE](#) if viewing on a PC.

FEEDBACK FORM

