

TIMBERSLED® PIVOT DOLLY KIT



P/N 2883062

APPLICATION

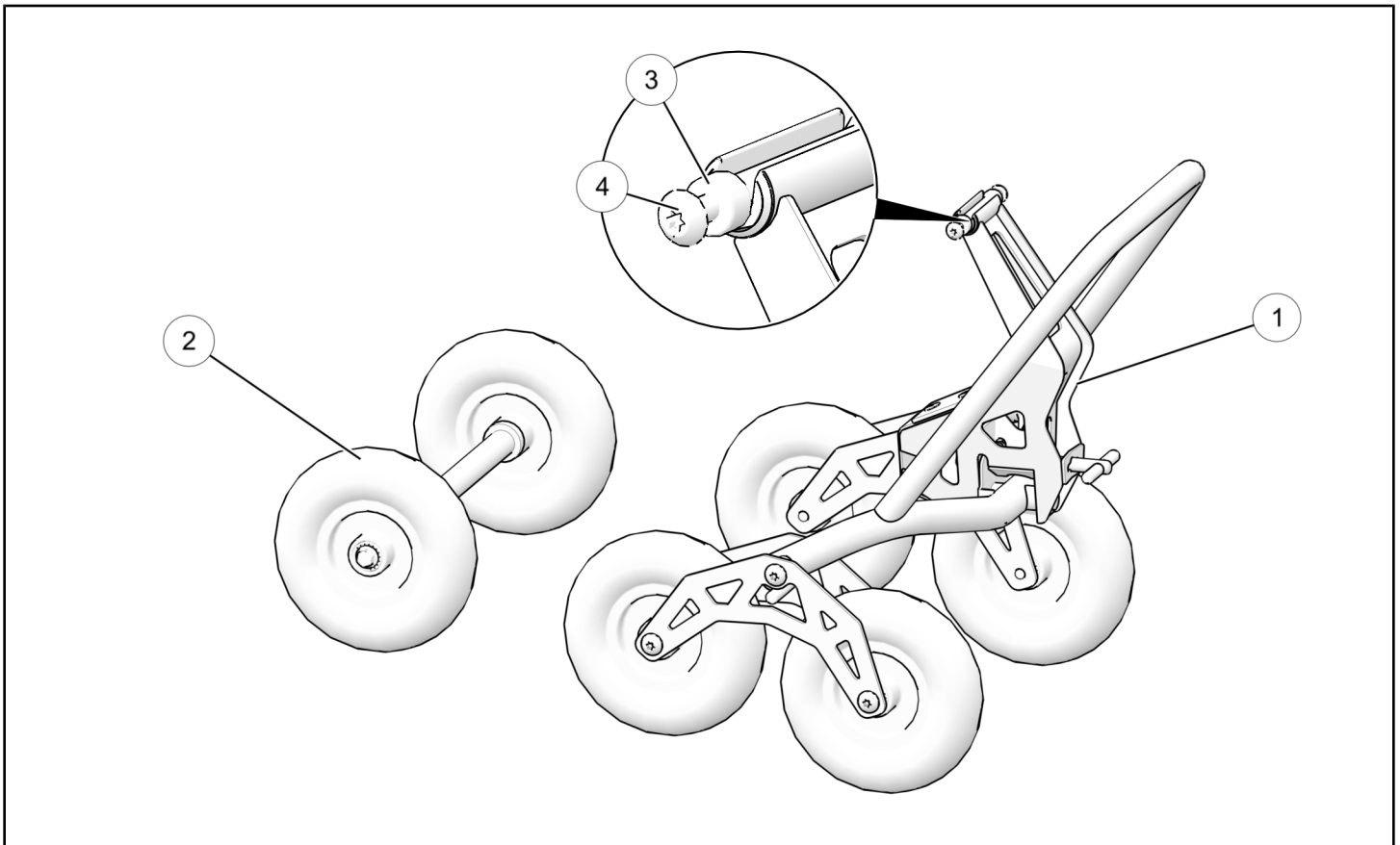
Verify accessory fitment at Polaris.com.

BEFORE YOU BEGIN

Read these instructions and check to be sure all parts and tools are accounted for. Please retain these installation instructions for future reference and parts ordering information.

KIT CONTENTS

This Kit includes:



REF	QTY	PART DESCRIPTION	PART NUMBER
1	1	Pivot Dolly	2883062
2	1	Rear Track Support	-
3	1	Pivot Dolly Spindle Shaft	-
4	2	Screw - M8 X 1.25 X 25	-
	1	Instructions	9929049

TOOLS REQUIRED

- Safety Glasses
- Socket Set, Torx® Bit
- Torque Wrench

CONSUMABLES REQUIRED

- LOCTITE® Threadlocker Blue 243®

IMPORTANT

Your Timbersled® Pivot Dolly Kit is exclusively designed for your vehicle. Please read the installation instructions thoroughly before beginning. Installation is easier if the vehicle is clean and free of debris. For your safety, and to ensure a satisfactory installation, perform all installation steps correctly in the sequence shown.

ASSEMBLY TIME

Approximately 6 minutes

NOTE

Additional time may be required for optional steps, or to accommodate other installed accessories.

INSTALLATION INSTRUCTIONS

CAUTION

BEFORE STARTING INSTALLATION, always ensure vehicle is on a flat stable surface and is properly secured to avoid accidental tipping or other movement to prevent personal injury and/or damage to equipment. If applicable, turn key to “OFF” position and remove from vehicle.

1. INSTALL PIVOT DOLLY SPINDLE SHAFT.

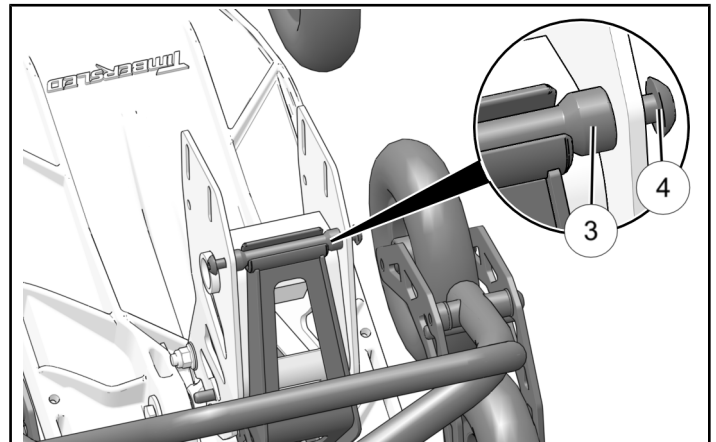
- To install the pivot dolly spindle shaft ③ use the provided mounting screws ④. Torque to specification provided.

IMPORTANT

Apply LOCTITE® Threadlocker Blue 243® to provided mounting screws ④ before installing.

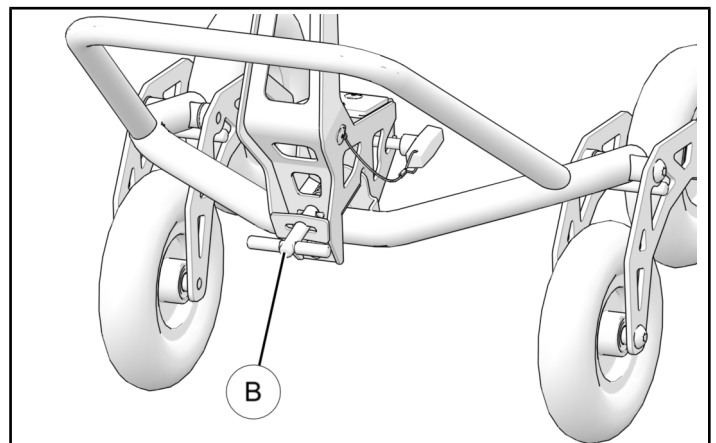
TORQUE

17 ft. lbs (23 Nm)

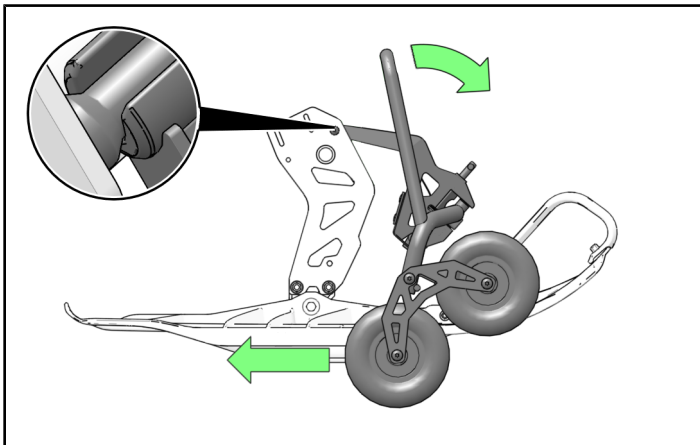


2. INSTALL FRONT PIVOT DOLLY.

- BEFORE** placing the pivot dolly into position, ensure that the pivot locking pin is in the locked position and the pivot dolly cannot pivot from side to side.

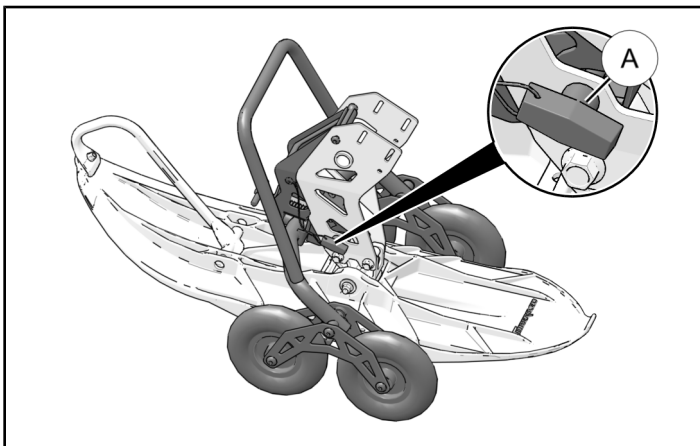


- b. Place the pivot dolly so the pivot dolly spindle shaft is fully seated into the support cup on the pivot dolly assembly. Once in position, press downward on the pivot dolly arm and rotate the pivot dolly into position so the dolly raises the front of the vehicle.



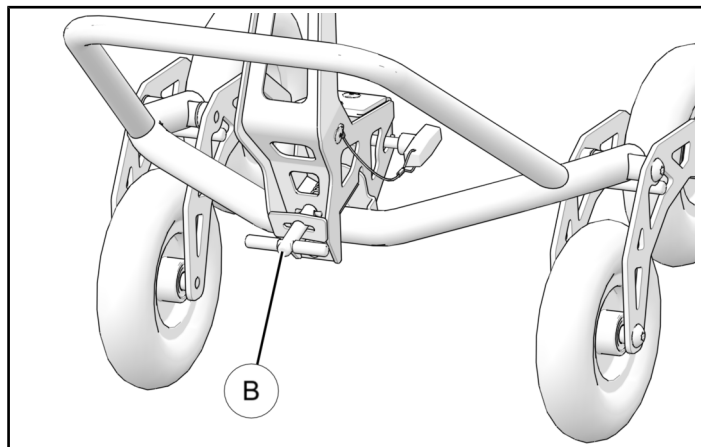
3. LOCK PIVOT DOLLY INTO POSITION.

- a. Once in position, use the retention pin (A) to secure the pivot dolly into position by sliding the pin fully through the spindle and pivot dolly assembly as shown.

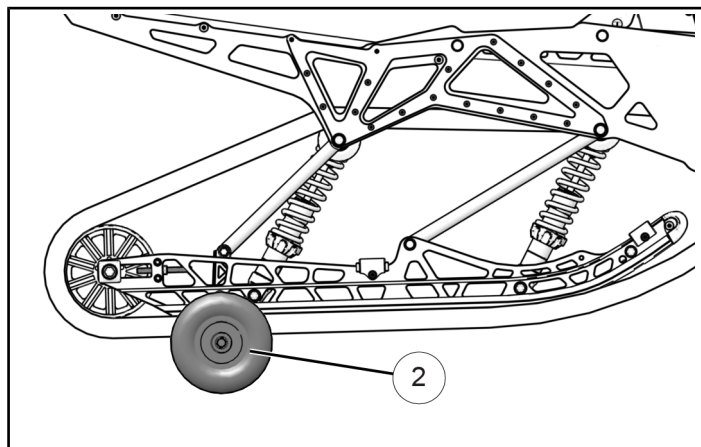


4. INSTALL REAR TRACK DOLLY.

- a. BEFORE placing the rear track support into position, ensure that the pivot locking pin (B) on the pivot dolly is in the locked position and the pivot dolly cannot pivot from side to side.



- b. Raise the rear of the vehicle and slide the rear track support (2) under the rear portion of the track into the approximate location as shown.



5. VERIFY WORK.

- a. Check to make sure all tools are accounted for and all necessary steps have been completed.

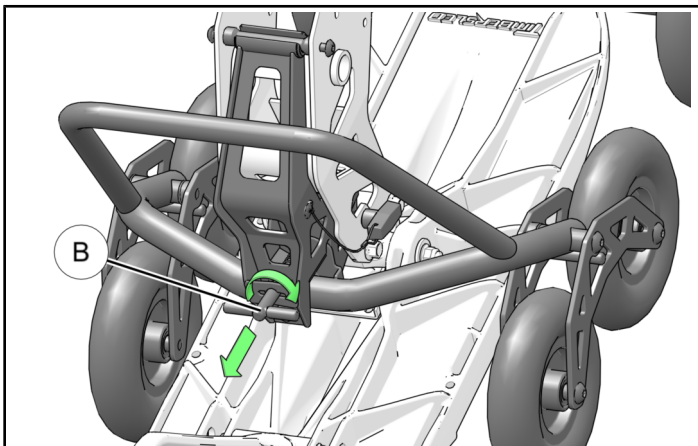
OPERATING PROCEDURE

⚠ WARNING

NEVER operate the vehicle while the Timbersled® Pivot Dolly is in use. Failure to comply will result in serious injury or death.

The pivot dolly is designed to allow the user to move the vehicle while vehicle is off.

To do so, pull the pivot locking pin **B** outwards and then rotate 90° to lock into position. The pivot dolly should now be free to turn allowing the vehicle to be steered while moving.



Once vehicle has been moved to desired area, again pull out on the pivot locking pin and rotate until the alignment pins allow the pin to be placed back into the fully locked position.

If pin fails to lock, pivot the bikes handlebars back and forth until pin fully seats.

FEEDBACK FORM

A feedback form has been created for the installer to provide any comments, questions or concerns about the installation instructions. The form is viewable on mobile devices by scanning the QR code or by clicking [HERE](#) if viewing on a PC.

FEEDBACK FORM

