

# **PRO ARMOR**



## **Instruction Manual**

**11" Dual Row Light Bar  
A21UL669 / A21UL670**

**11" Single Row Light Bar  
A21UL671 / A21UL672**

**31" Dual Row Light Bar  
A21UL673**

**33" Single Row Light Bar  
A21UL674**

**20" Single Row Light Bar  
A21UL675**

**40" Single Row Light Bar  
A21UL676**

**2x2" Light Cube  
A21UL677 / A21UL678**

## Intro

Thank you for choosing a Pro Armor Off-Road LED. We expect that you will enjoy your new product for years to come. To maximize the performance and safety of this product, we highly recommend that you read through this manual before starting installation.

## Tools

Required – Hex Key, Drill, Bit Set, Wire-strippers, Etc.  
Recommended – Voltage Meter

## Included

- 1 LED assembly with all lamps pre-installed
- Mounting hardware kit

## Caution

- Confirm your riding area laws regarding operation of accessory lighting
- Only use this product in the recommended range of 9 – 15 volts
- The aluminum housing is a heatsink. Keep the housing clean and exposed to open air
- During normal operation, the light will become hot. Do not readjust or touch the lamps until you confirm the lamp is cool to the touch
- Disconnect the main ground on your machine before installation begins
- Route new wires through existing looms or along similar paths to avoid moving components. Use zip ties to secure wires.

## Mounting

### Surface Mount

- 1 – Install the side mount hardware on the light, finger tight only
- 2 – Drill holes in surface for desired location, use supplied hardware to secure, hand tighten only

NOTE: Serrated Washer needs to be placed between the light fixture and the bracket for a secure installation (see figures on back cover).

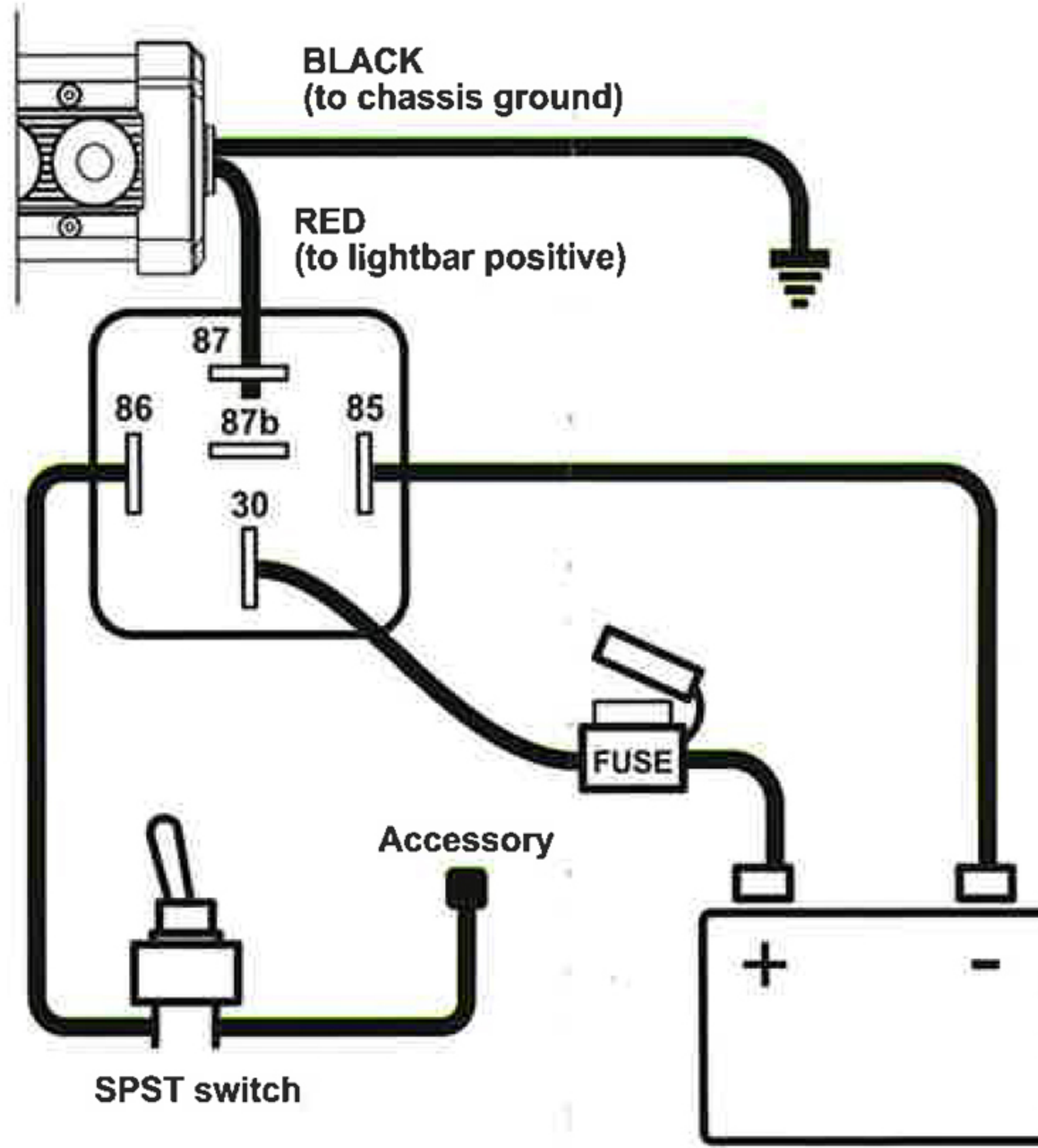
## Setting The Spot / Flood

Once all electrical connections are made, test the lights and set your aim. Best to shoot about 20 feet from a flat surface to check height.

After the aim is set. Tighten down all connections and move the machine outside to check your final aim on a trail. If you need to readjust, start again but, remember the until will be hot.

## Wiring

Use a Bosch 30A relay and SPST style switch to wire your light. Follow this illustration to properly connect the light to the 12volt power source and ground.

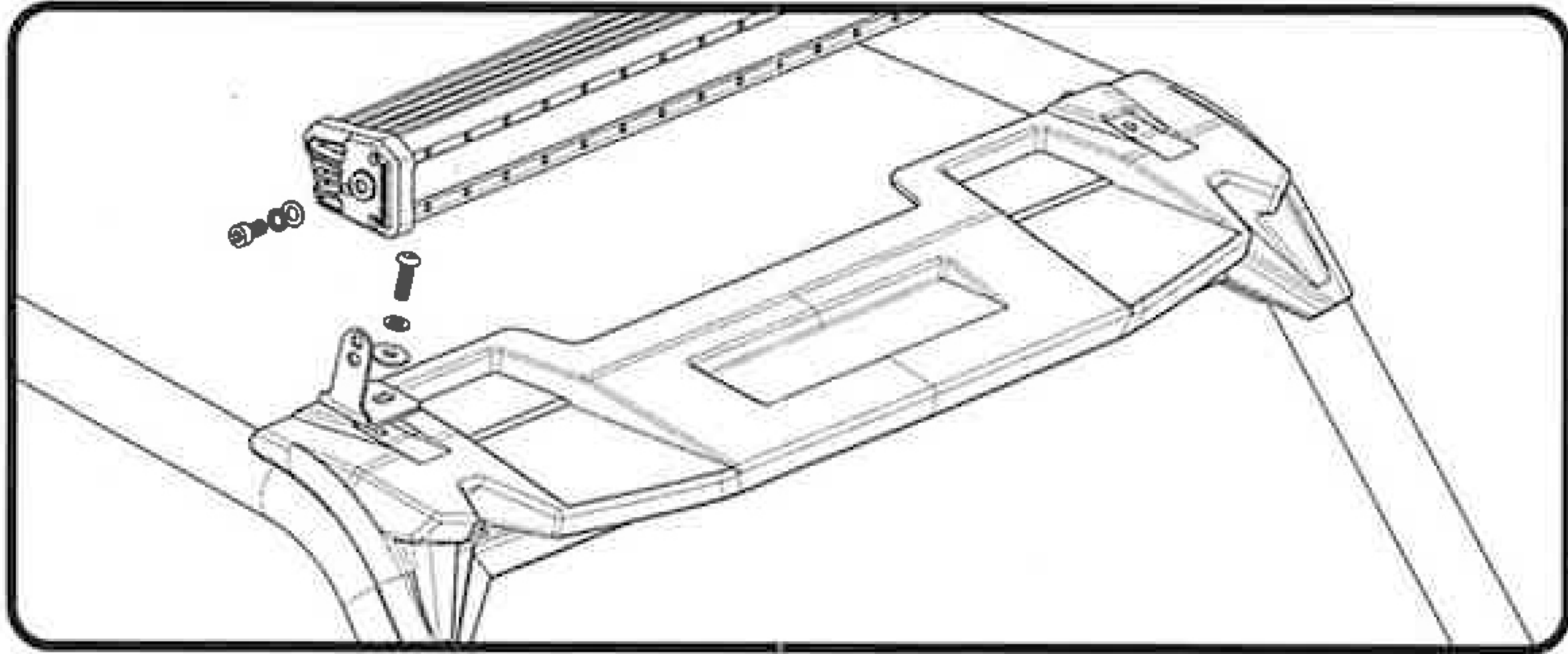


The wiring and connections should be secure and away from any moving parts or extremely hot surfaces

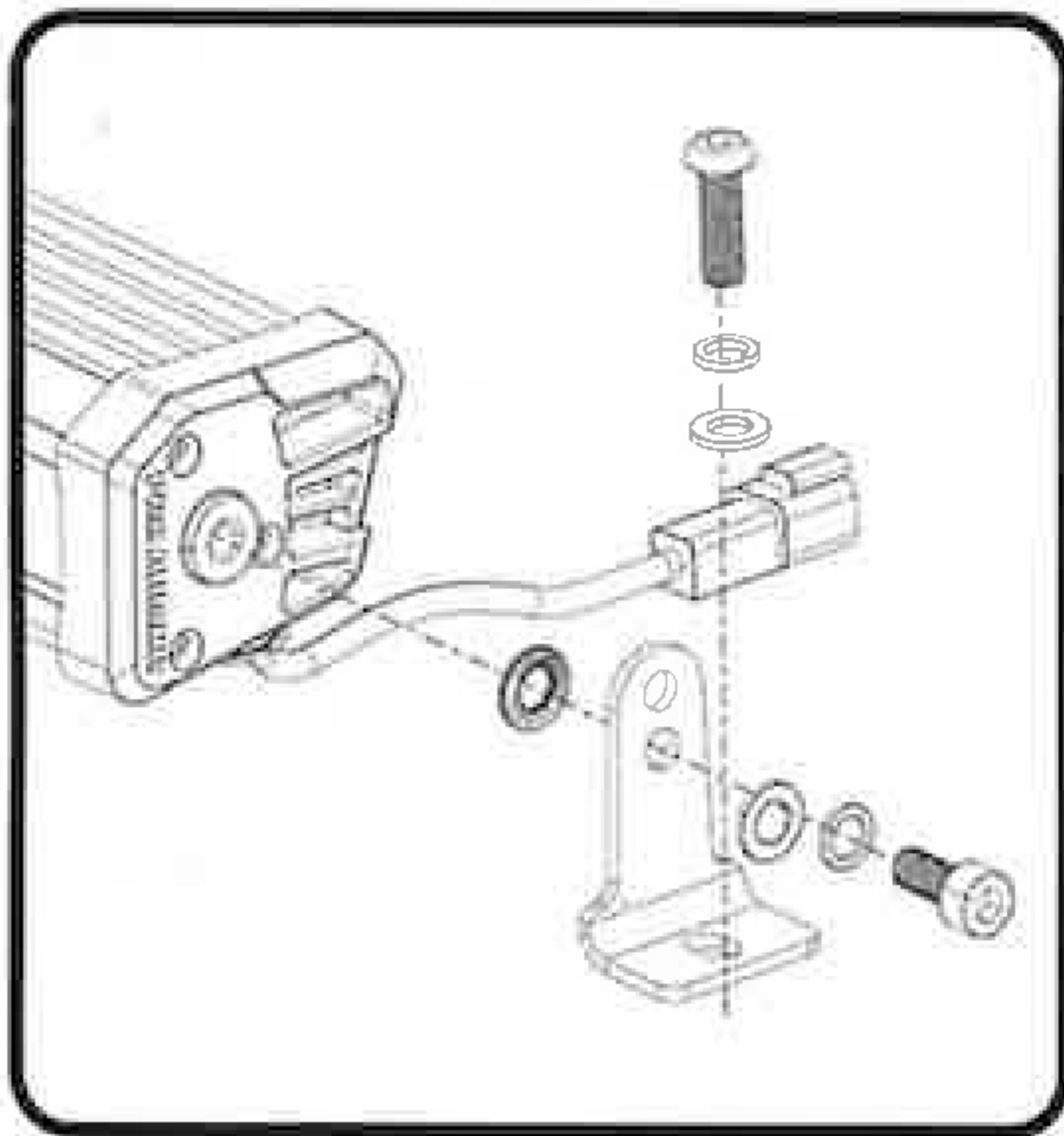
## Dimensions

11" Dual Row Light Bar A21UL669 / A21UL670	11.25" x 3.25" x 3.25"
11" Single Row Light Bar A21UL671 / A21UL672	11.25" x 2.75" x 2.125"
31" Dual Row Light Bar A21UL673	30.5" x 3.25" x 3.25"
33" Single Row Light Bar A21UL674	33.75" x 2.75" x 2.125"
20" Single Row Light Bar A21UL675	21" x 2.75" x 2.125"
40" Single Row Light Bar A21UL676	40" x 2.75" x 2.125"
2x2" Light Cube A21UL677 / A21UL678	3.875" x 3.25" x 3.25"

## Mounting for Polaris RZR



### Mounting for outside facing bracket



### Mounting for inside facing bracket

