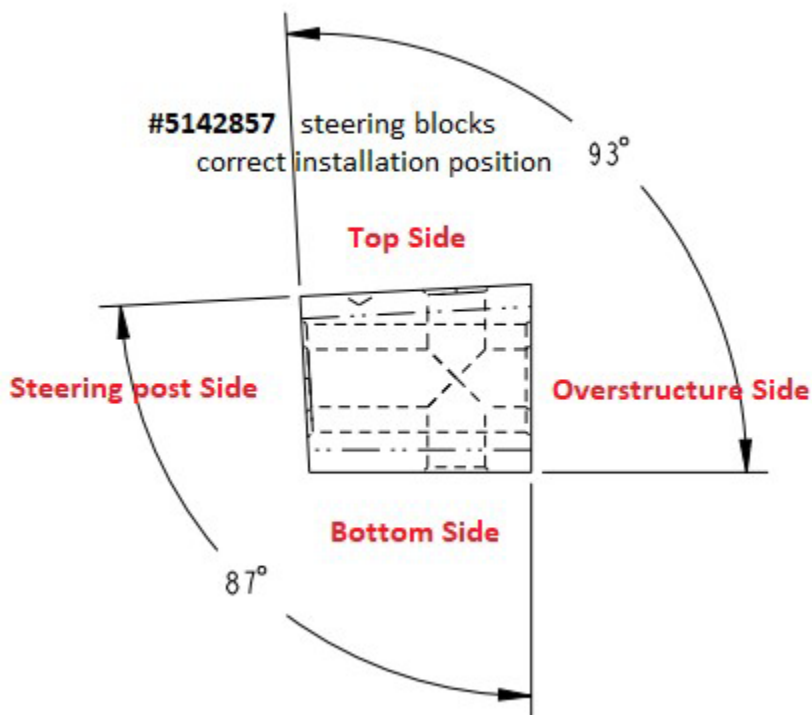




****Attention Polaris 2025 600R SnoX Racers***

The MY25 600R Race sleds may have been built with the upper steering post blocks alignment indication hole on the opposite side (#5142857) it should be on. Before operating this vehicle, you must inspect the upper steering post block for correct orientation/alignment.

If the block has the indication hole on the incorrect side, flip the block 180 degrees so that the block matches the below angle orientations.



The #5142857 steering blocks location is **#3** in the below picture

