



# Roadmaster



Shown with optional front bumper and smooth skin frame.

- 13 mph (21 km/h) speed
- 112 in (285 cm) turning radius
- 1150 lb (522 kg) load capacity

## HEAVY DUTY & VERSATILE PERSONNEL CARRIER



Taylor-Dunn's Roadmaster provides personnel transportation, cargo hauling and mid-range towing for those who need durability, versatility and economy to keep them on the go.

This personnel carrier provides ample leg room and a tilted steering wheel for comfort while the automotive style steering provides ease of use.

Equipped with a 36 volt drive train, solid state speed controller, safety seat switch and 6 hp DC motor, the Roadmaster is best in class for value.

Optional equipment to customize your Roadmaster include steel cab, fiberglass top, ladder rack, lights, steel panel box and rear flip-down passenger seat.

For more information, photos, videos and custom modifications, visit our website at [taylor-dunn.com](http://taylor-dunn.com).

<b>MODEL</b>	R0-380-36	
<b>VOLTAGE</b>	36 volt	
<b>DRIVE</b>	Dana Direct	
<b>SPEED (unloaded)</b>	13 mph	21 km/h
<b>RANGE (unloaded)</b>	26 mi	42 km
<b>LOAD CAPACITY</b>	1150 lb	522 kg
<b>TOW CAPACITY</b>	5000 lb	2268 kg
<b>TURNING RADIUS</b>	112 in	285 cm

\* Based on Standard Configuration Actual towing capacity is dependent on application, vehicle configuration, ballast weight, and operating environment.  
Note: Photos are shown with optional features.

### FEATURES & BENEFITS:

- All-welded unitized steel body
- Automotive steering
- On-board charger
- Customizable to fit your application

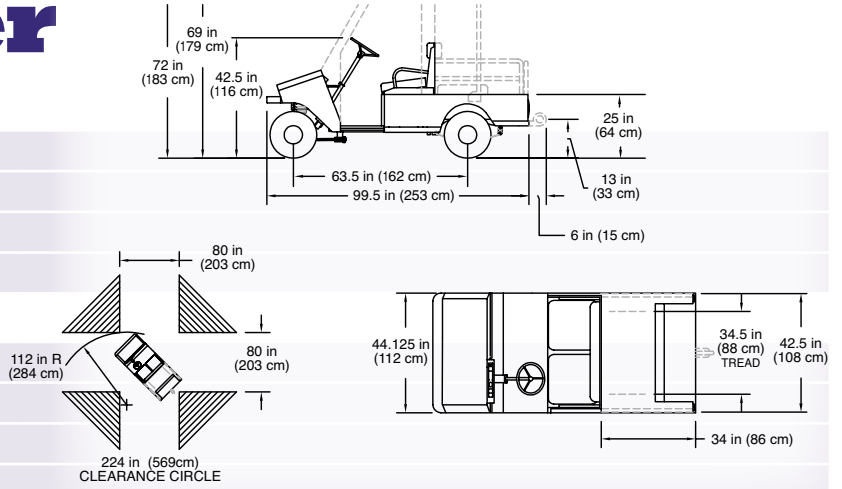
# Roadmaster

## PERFORMANCE

<b>LOAD CAPACITY</b>	1150 lb (522 kg)
<b>TOW CAPACITY</b>	5000 lb (2268 kg)
<b>MAX SPEED</b>	13 mph (21 km/h)
<b>TURNING RADIUS</b>	112 in (284 cm)

## DIMENSIONS

<b>OVERALL LENGTH</b>	99.5 in (253 cm)
<b>OVERALL WIDTH</b>	44 in (112 cm)
<b>HEIGHT (- top)</b>	45.5 in (115 cm)
<b>HEIGHT (+ top)</b>	72 in (183 cm)
<b>DECK HEIGHT</b>	25 in (63 cm)
<b>WHEEL BASE</b>	63.5 in (161 cm)
<b>DECK SIZE</b>	42x32 in (108x81 cm)



## POWER SUPPLY / DRIVE TRAIN

<b>MOTOR</b>	6HP, DC, Series Wound
<b>SYSTEM VOLTAGE</b>	36V DC
<b>TRANSMISSION</b>	Transaxle Assembly, Sealed Helical Gear Reduction
<b>BATTERIES</b>	Six, 6V, 210 Amp-Hour, Lead Acid
<b>CHARGER</b>	Built-in, 36V, 110 VAC, 1kw, w/ Interlock
<b>CONTROLLER</b>	275 Amp, Solid State Speed Controller
<b>WIRING</b>	Modular Harness Design, Weather Protected Connectors

## CHASSIS

<b>FRAME</b>	Fully Welded Unitized 16 Gauge Diamond Plate Steel
<b>STEERING</b>	Automotive Steering 24:1
<b>DRIVE AXLE</b>	Dana Direct Drive, Oil Bath
<b>SUSPENSION</b>	Front and Rear Leaf Springs with Dual Front Shock Absorbers
<b>BRAKES</b>	Rear Mechanical Brake Drum with Hand Operated Parking Brake
<b>TIRES</b>	5.70x8 Load Range C Pneumatic

## GENERAL

<b>UNIT WEIGHT</b>	1160 lb (526 kg)
<b>SEAT</b>	Split Seat with Full Back Cushions, Black Vinyl, Driver's Seat Electric Interlock Switch
<b>INSTRUMENTATION</b>	Battery Status Indicator, Forward/Reverse Selector, Key Switch, Electric Horn
<b>LIGHT ACCESSORIES</b>	Dual Brake Lights
<b>CONFORMANCE</b>	Type E OSHA 1910.178, ANSI B56.8

## OPTIONS

- SURREY TOP
- STEEL CAB
- FIBERGLASS TOP
- STROBE LIGHT
- WINDSHIELD
- FRONT BUMPER
- PORTABLE CHARGER
- HOUR METER
- REVERSE ALARM
- LADDER RACK
- 9" METAL SIDES
- STEEL PANEL BOX
- NON-MARKING TIRES
- SOFT SOLID TIRES
- UNDERCOATING/GALVANIZING
- VINYL ENCLOSURE
- BATTERY WATERING SYSTEM
- REAR TOOL BOX DOORS
- FRONT SPLASH GUARD
- FLIP-DOWN PASSENGER SEAT
- HEAD/TAIL LIGHTS
- DIRECTIONAL SIGNALS
- VARIOUS HITCHES
- OPTIONAL PAINT COLORS



CONTRACT # 051717-PSI

2-YEAR  
2,000 HOUR



MANUFACTURERS  
WARRANTY

\*Specifications, standard equipment, accessories and modifications are all subject to change without notice.

LS-380-25 09/18